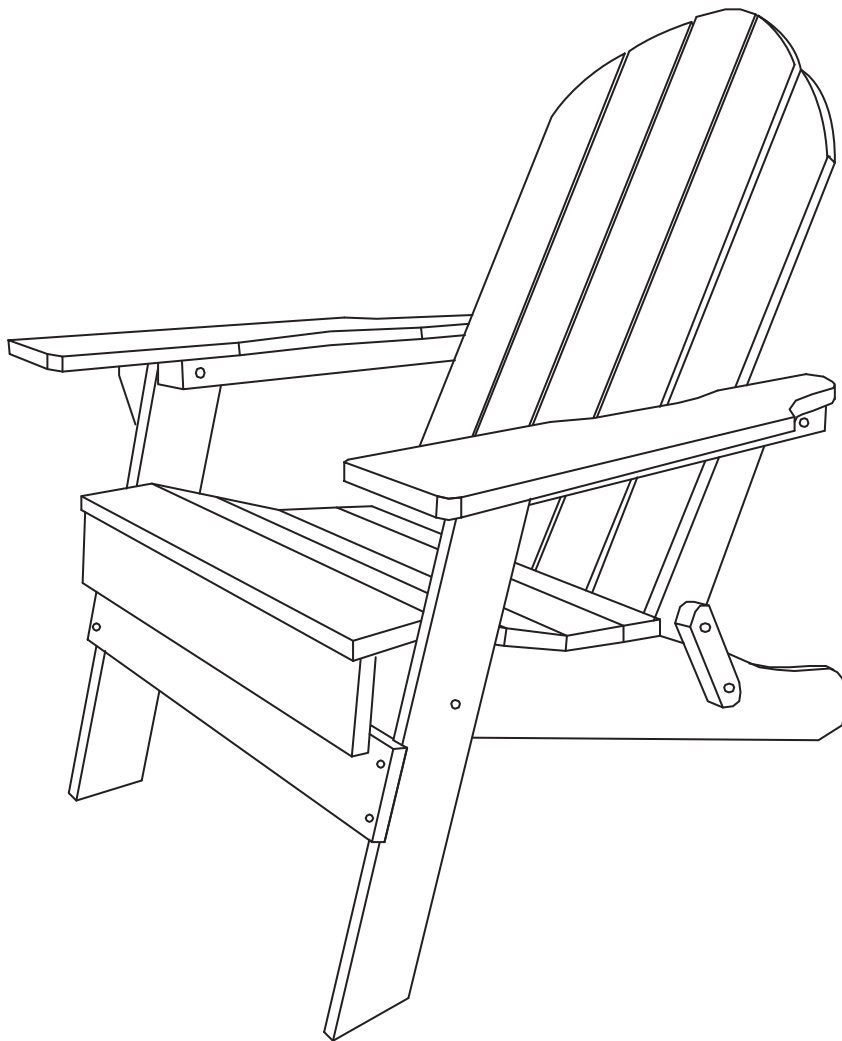


Assembly Instruction

HDPE FOLDING ADIRONDACK CHAIR



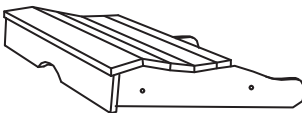
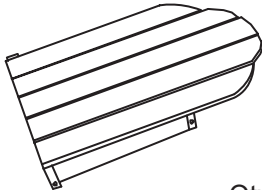


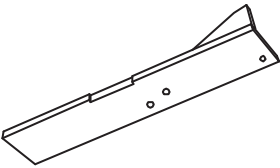
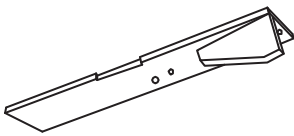
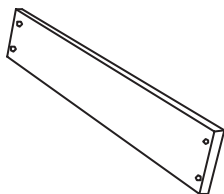
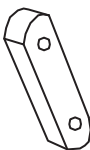
Carefully unpack and identify each component before beginning assembly. Before you begin, please refer to parts list to make sure that you have all parts. Please take care when assembling the unit and always place the parts on a clean, soft surface. If you require assistance with assembly or parts, please call 888-357-7263.

PRE-ASSEMBLY PREPARATION

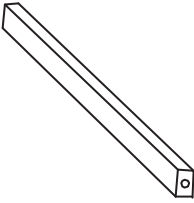
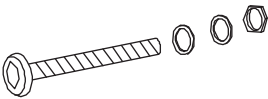
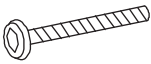
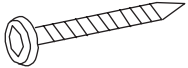
WARNING! DO NOT LET CHILDREN PLAY IN OR AROUND THE UNIT DUE TO THE POSSIBLE RISK OF FINGER ENTRAPMENT

- Please read through this instruction before beginning assembly.
- Two adults assembly is recommended.
- Clear out the space for assembly and lay out all parts base on Parts List, extra room will allow you to easily determine if all the pieces are present.
- Save all packing materials until assembly is complete to avoid accidentally discarding smaller parts or hardware.
- Keep small parts and pieces away from children until fully assembly.
- **Do not fully tighten the bolts until all have been inserted and hand tightened.**
- Please check for any loose screws and tighten them before use.

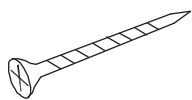
PANEL AND FITTINGS IDENTIFICATION

<p>Seat Panel (A)</p>  <p>Qty: 1</p>	<p>Backrest Panel (B)</p>  <p>Qty: 1</p>	<p>Left Arm Panel (C)</p>  <p>Qty: 1</p>	<p>Right Arm Panel (D)</p>  <p>Qty: 1</p>
<p>Left Foot Panel (E)</p>  <p>Qty: 1</p>	<p>Right Foot Panel (F)</p>  <p>Qty: 1</p>	<p>Seat Panel (G)</p>  <p>Qty: 1</p>	<p>Connecting Rods (H)</p>  <p>Qty: 2</p>

HARDWARE LIST

<p>Back Support Panel (I)</p>  <p>Qty: 1</p>	<p>Screw (J)</p>  <p>M6 x 60mm</p> <p>Qty: 6</p>	<p>Screw (K)</p>  <p>M6 x 45mm</p> <p>Qty: 2</p>	<p>Screw (L)</p>  <p>M6 x 60mm</p> <p>Qty: 4</p>
---	---	--	---

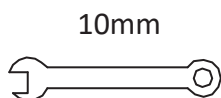
Screw (M)



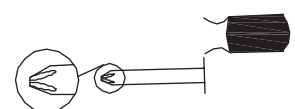
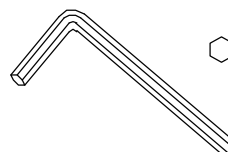
M6 x 40mm

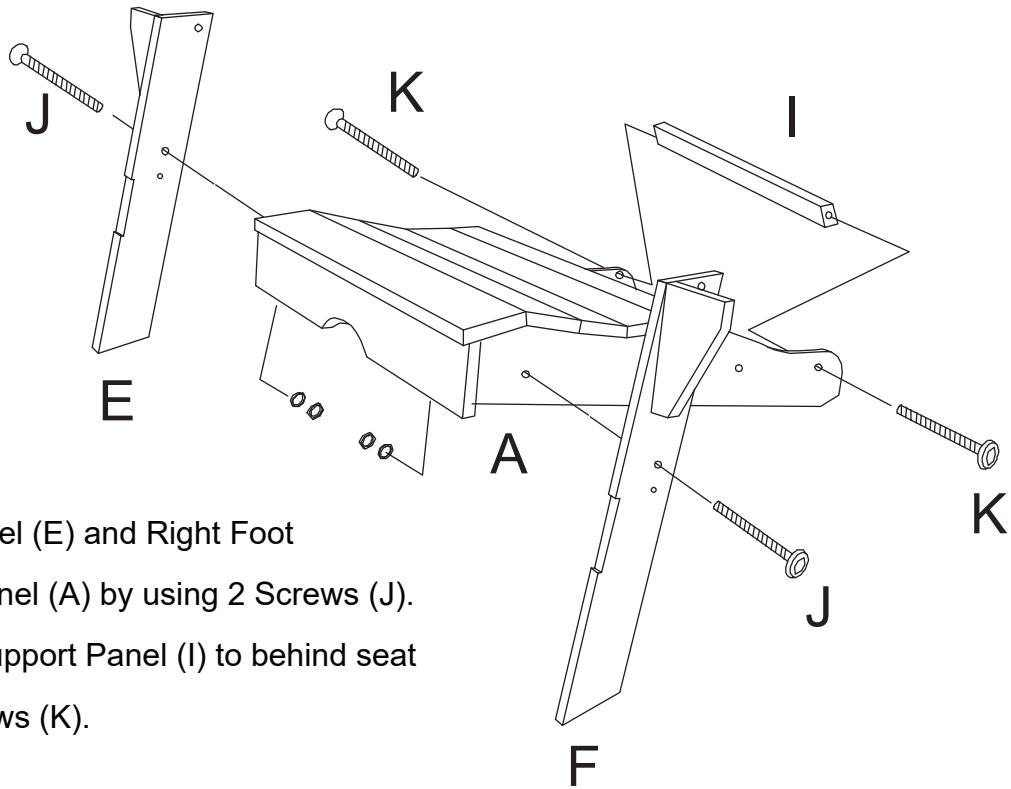
Qty: 4

TOOLS & MATERIALS NEEDED



10mm





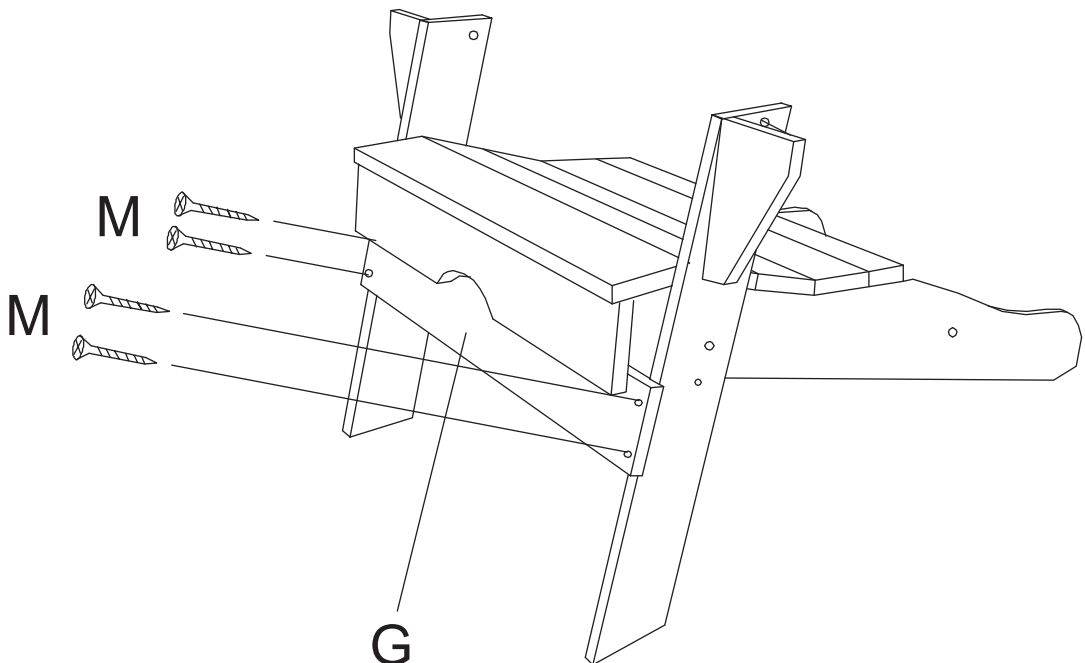
STEP 1

Attach Left Foot Panel (E) and Right Foot Panel (F) to Seat Panel (A) by using 2 Screws (J).
Then attach Back Support Panel (I) to behind seat part by using 2 Screws (K).

Note: Do not tighten all screws until last step.

STEP 2

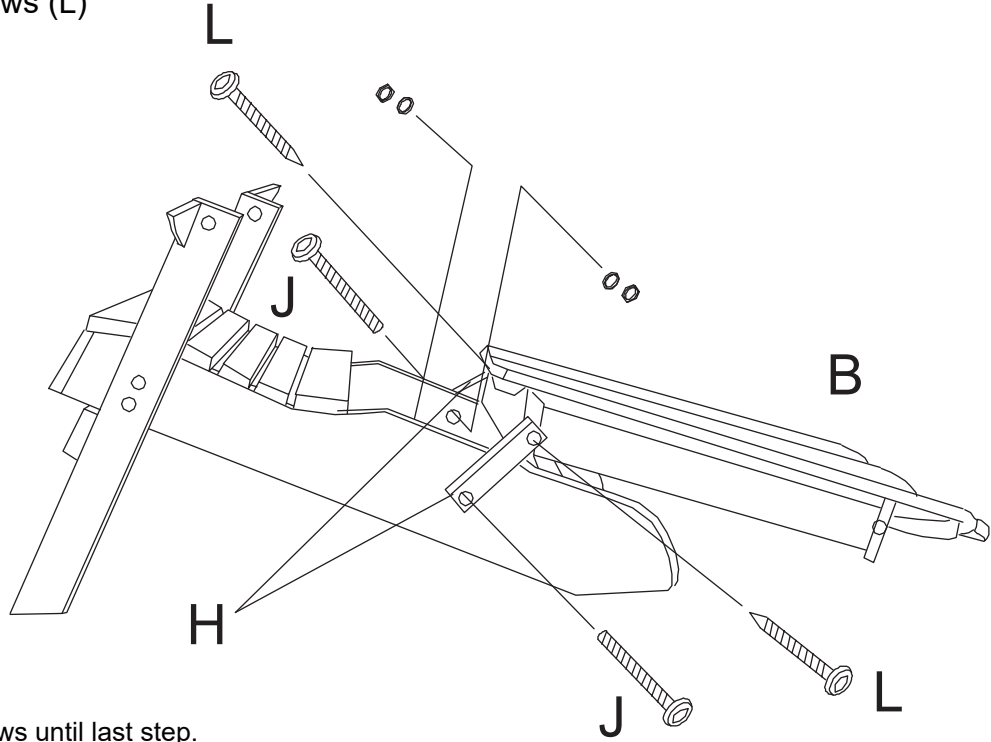
Attach Seat Panel (G) to two side foot panel by using 4 Screws (M)



Note: Do not tighten all screws until last step.

STEP 3

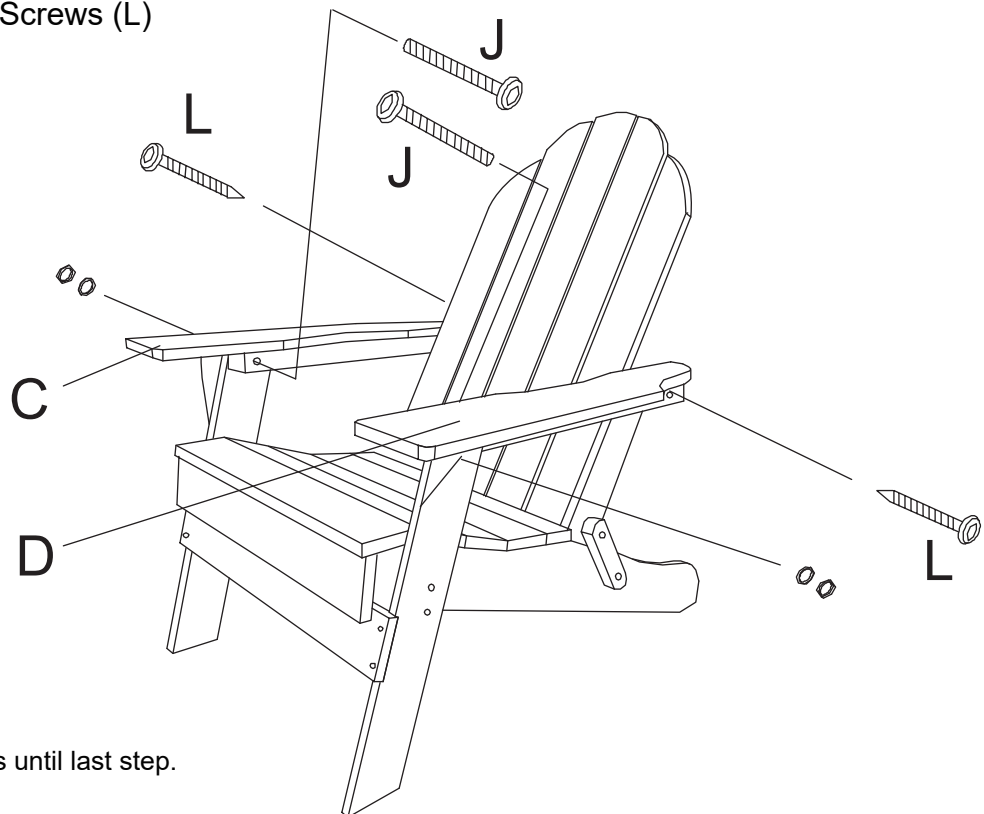
Attach Backrest Panel (B) to Seat Panel (A) by using 2 Connecting Rods (H) and 2 Screws (J) and 2 Screws (L)



Note: Do not tighten all screws until last step.

STEP 4

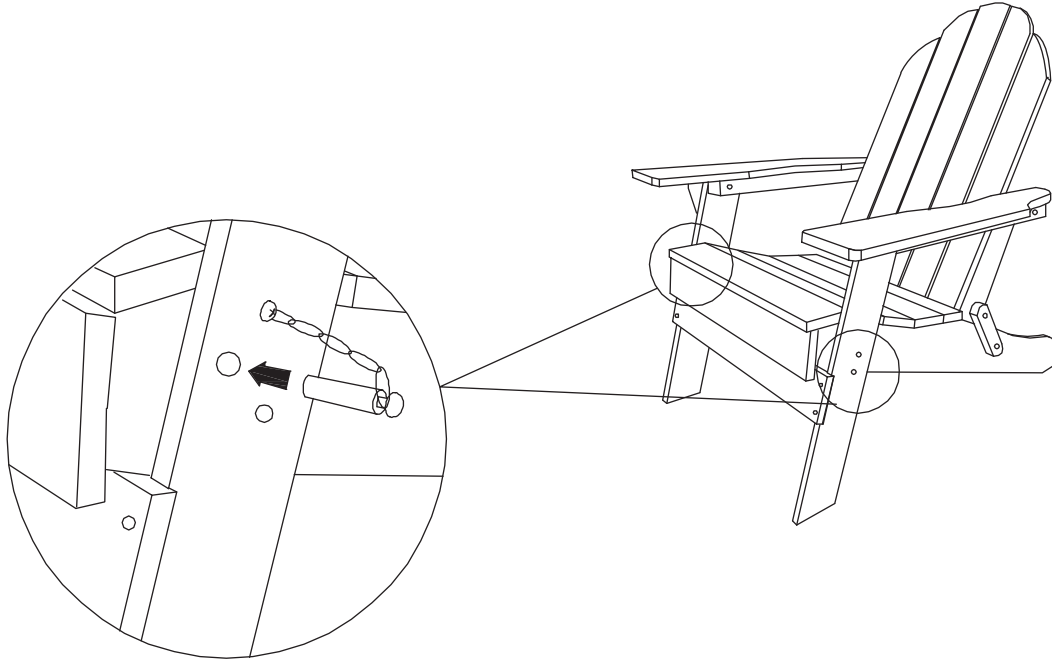
Attach Left Arm Panel (C) and Right Arm Panel (D) to both side foot panel and backrest panel by using 2 Screws (J) and 2 Screws (L)



Note: Do not tighten all screws until last step.

STEP 5

Insert two side bolts in place to keep chair from swinging.



Note: Please tighten the screws before use.

STEP 6

Pull out two side bolts to make it floded.

