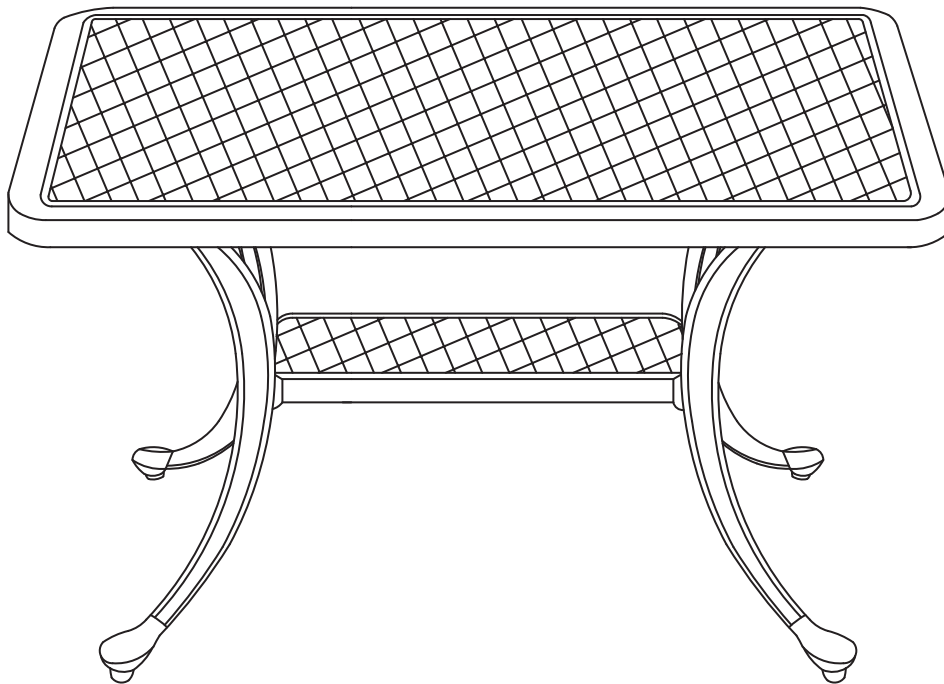


# Assembly Instruction

## CAST ALUMINIUM PATIO COFFEE TABLE



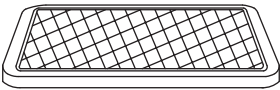
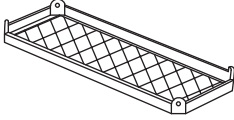
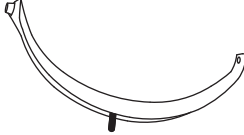
Carefully unpack and identify each component before beginning assembly. Before you begin, please refer to parts list to make sure that you have all parts. Please take care when assembling the unit and always place the parts on a clean, soft surface. If you require assistance with assembly or parts, please call 888-357-7263.

## PRE-ASSEMBLY PREPARATION






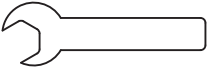
**WARNING!** DO NOT LET CHILDREN PLAY IN OR AROUND THE UNIT DUE TO THE POSSIBLE RISK OF FINGER ENTRAPMENT

- Please read through this instruction before beginning assembly.
- Two adults assembly is recommended.
- Clear out the space for assembly and lay out all parts base on Parts List, extra room will allow you to easily determine if all the pieces are present.
- Save all packing materials until assembly is complete to avoid accidentally discarding smaller parts or hardware.
- Keep small parts and pieces away from children until fully assembly.
- **Do not fully tighten the bolts until all have been inserted and hand tightened.**
- Please check for any loose screws and tighten them before use.

## PANEL AND FITTINGS IDENTIFICATION

<p>Table Top (A)</p>  <p>Qty: 1</p>	<p>Legs Support (B)</p>  <p>Qty: 1</p>	<p>Table Leg (C)</p>  <p>Qty: 4</p>	
---	--	--	--

## HARDWARE LIST





<p>Bolt (D) M8*35mm</p>  <p>Qty: 5</p>	<p>Washer (E) M8</p>  <p>Qty: 9</p>	<p>Spring Washer (F) M8</p>  <p>Qty: 9</p>	<p>Nut (G) M8</p>  <p>Qty: 9</p>
<p>Nut Cap (H) M8</p>  <p>Qty: 9</p>	<p>Wrench (I) M8</p>  <p>Qty: 1</p>		

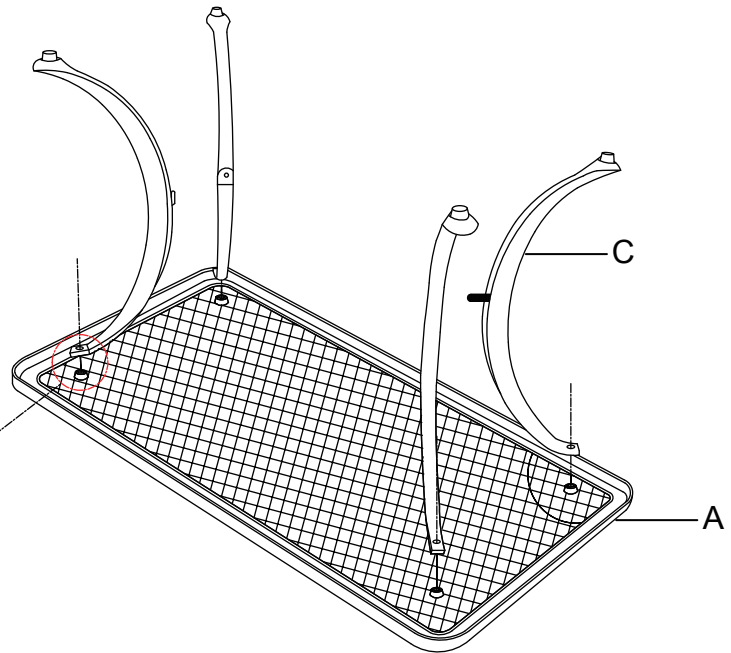
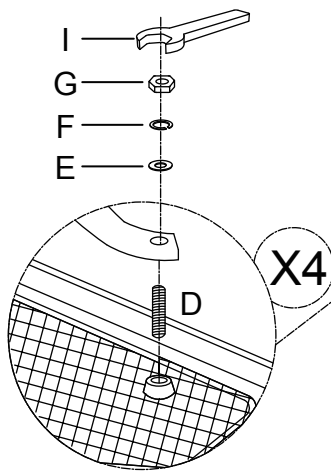
### Step 1

Lay the Table Top (A), facedown, onto a flat, soft, clean surface.

Attach the Table Leg (C) to the Table Top (A) by using 4 Bolts (D), 4 Washers (E), 4 Spring Washers (F), 4 Nuts (G) with Wrench (I).

Repeat same step for attaching the remaining 3 legs to the Table Top (A).  
DO NOT OVERTIGHTEN.




D X 4	E X 4	F X 4	G X 4
			

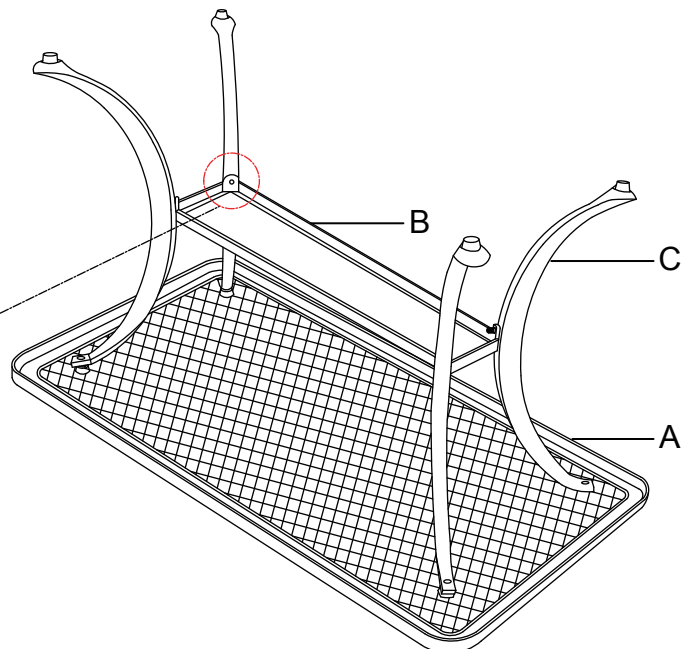
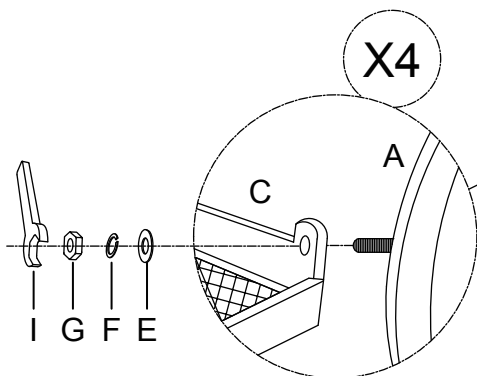


### Step 2

Loosely attach the Legs Support (B) to Table Leg (C) by using 4 Washers (E), 4 Spring Washers (F), 4 Nuts (G) with Wrench (I).

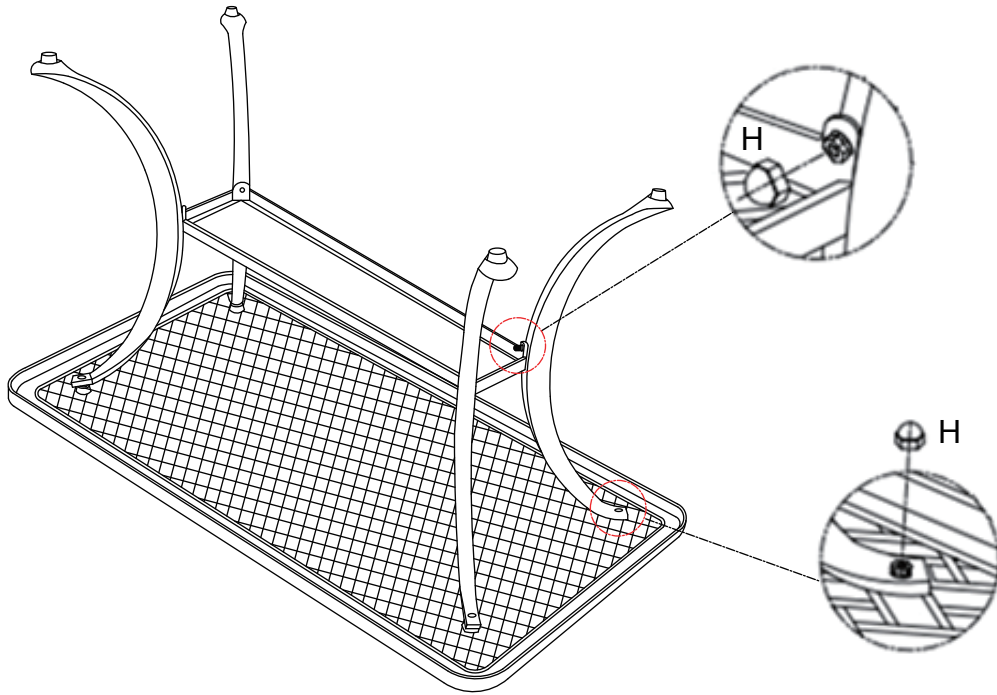
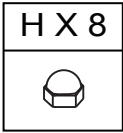
Repeat same step for all contact points of the Table Legs and Legs Support.  
DO NOT OVERTIGHTEN.

E X 4	F X 4	G X 4
		



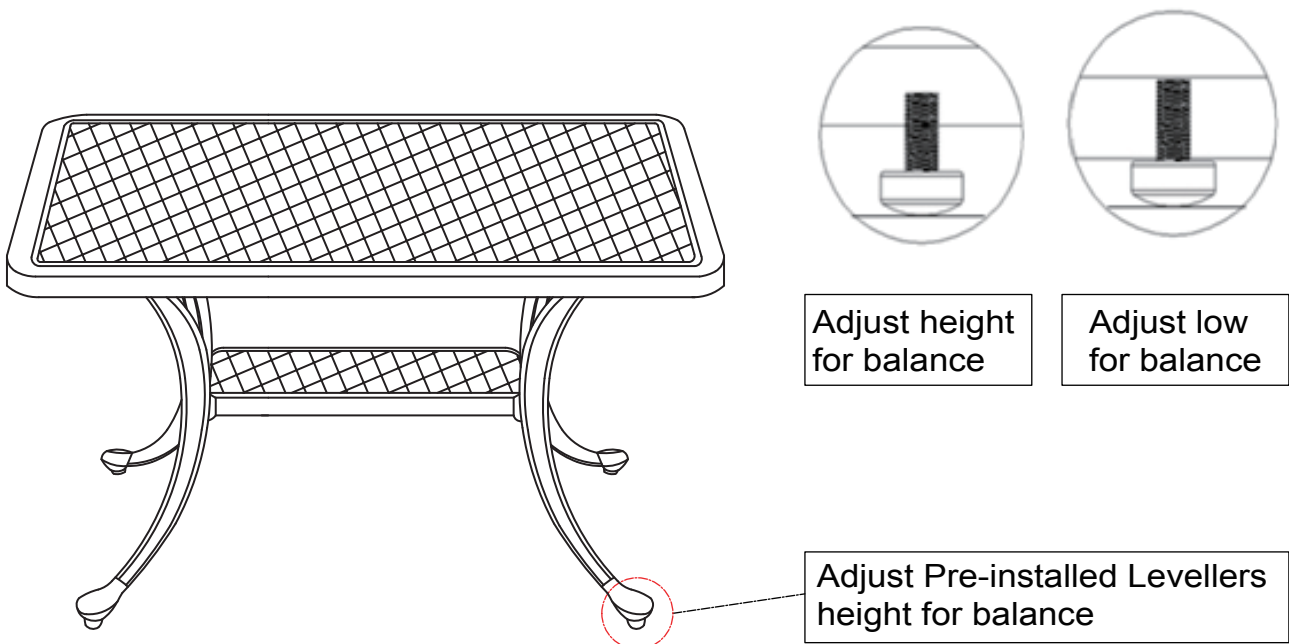
### Step 3

Now fully and securely tighten all nuts at all joints.  
Add Nut Caps (H) on all bolt ends to protect skin or clothing from getting snagged.



### Step 4

Stand the table right side up.  
Adjust the Legs pre-installed Levellers until the Table is level with the ground.



Step 5

Caution: This TABLE can only be used on a flat, level surface.

