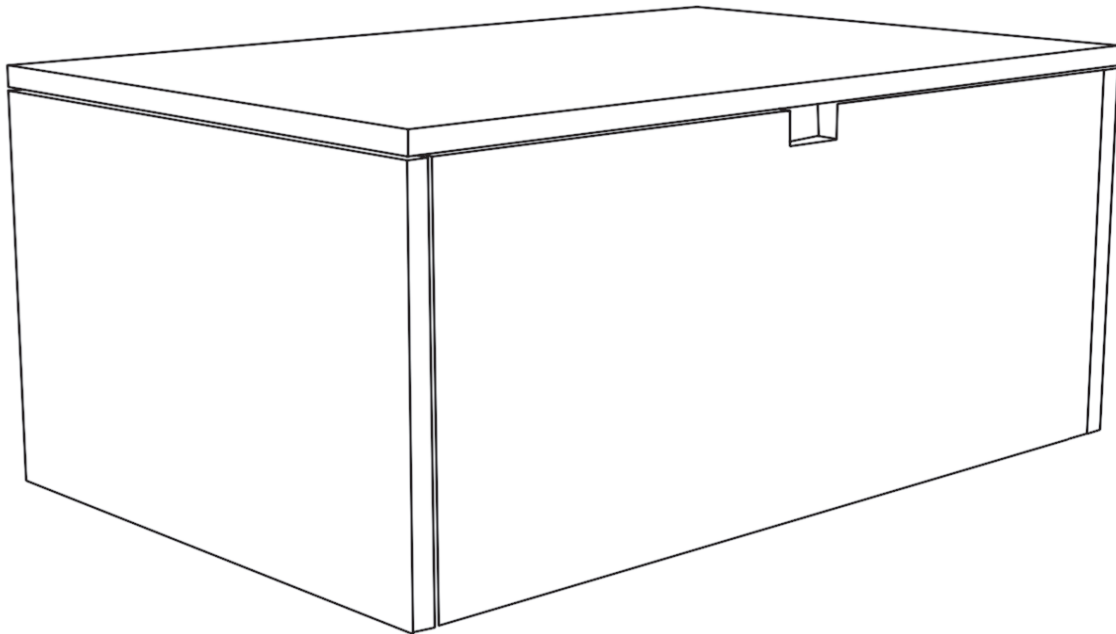


Assembly Instruction

PATIO WICKER STORAGE BOX



Carefully unpack and identify each component before beginning assembly. Before you begin, please refer to parts list to make sure that you have all parts. Please take care when assembling the unit and always place the parts on a clean, soft surface. If you require assistance with assembly or parts, please call 888-357-7263.

Get social with us and discover more about our products, tips and exclusive discounts!

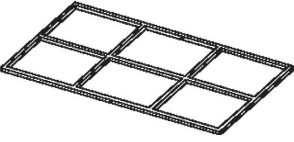
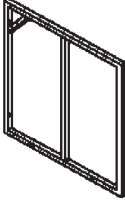
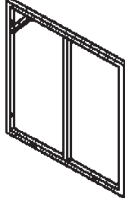
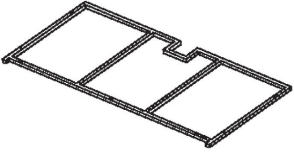
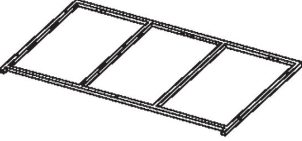
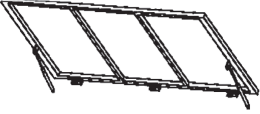



PRE-ASSEMBLY PREPARATION










WARNING! DO NOT LET CHILDREN PLAY IN OR AROUND THE UNIT DUE TO THE POSSIBLE RISK OF FINGER ENTRAPMENT

- Please read through this instruction before beginning assembly.
- Two adults assembly is recommended.
- Clear out the space for assembly and lay out all parts base on Parts List, extra room will allow you to easily determine if all the pieces are present.
- Save all packing materials until assembly is complete to avoid accidentally discarding smaller parts or hardware.
- Keep small parts and pieces away from children until fully assembly.
- **Do not fully tighten the bolts until all have been inserted and hand tightened.**
- Please check for any loose screws and tighten them before use.

PANEL AND FITTINGS IDENTIFICATION

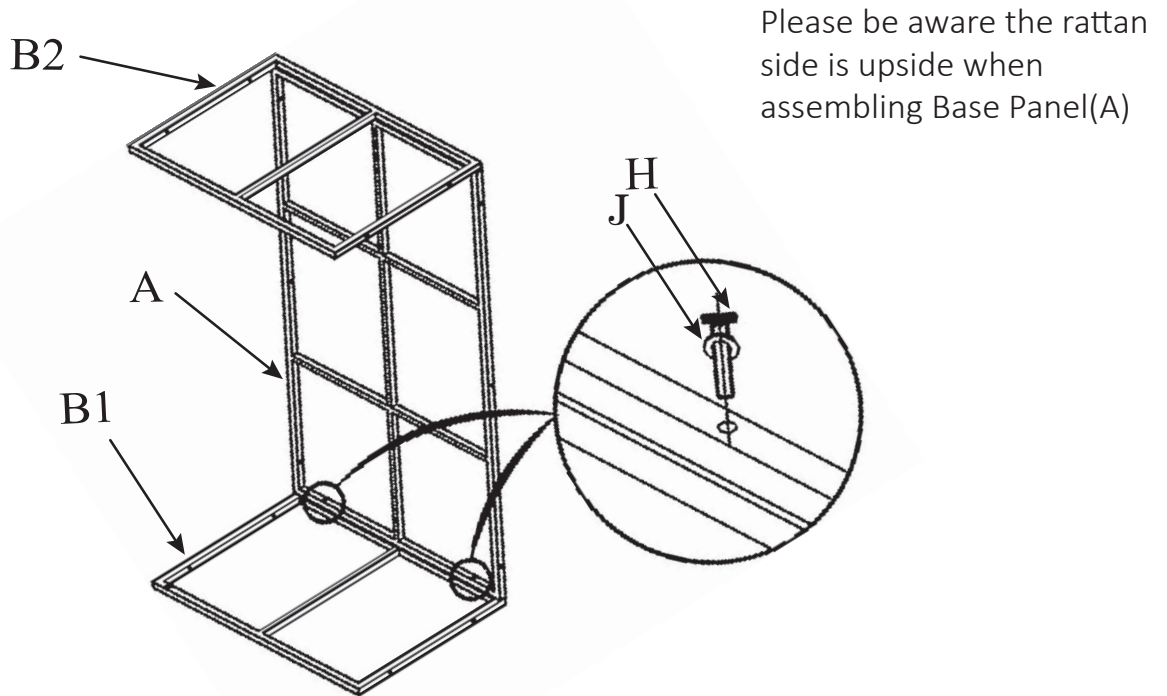
<p>Base Panel (A)</p>  <p>Qty: 1</p>	<p>Side Panel (B1)</p>  <p>Qty: 1</p>	<p>Side Panel (B2)</p>  <p>Qty: 1</p>	<p>Front Panel (C)</p>  <p>Qty: 1</p>
<p>Back Panel (D)</p>  <p>Qty: 1</p>	<p>Lid Panel (E)</p>  <p>Qty: 1</p>	<p>Storage Bag (F)</p>  <p>Qty: 1</p>	

HARDWARE LIST

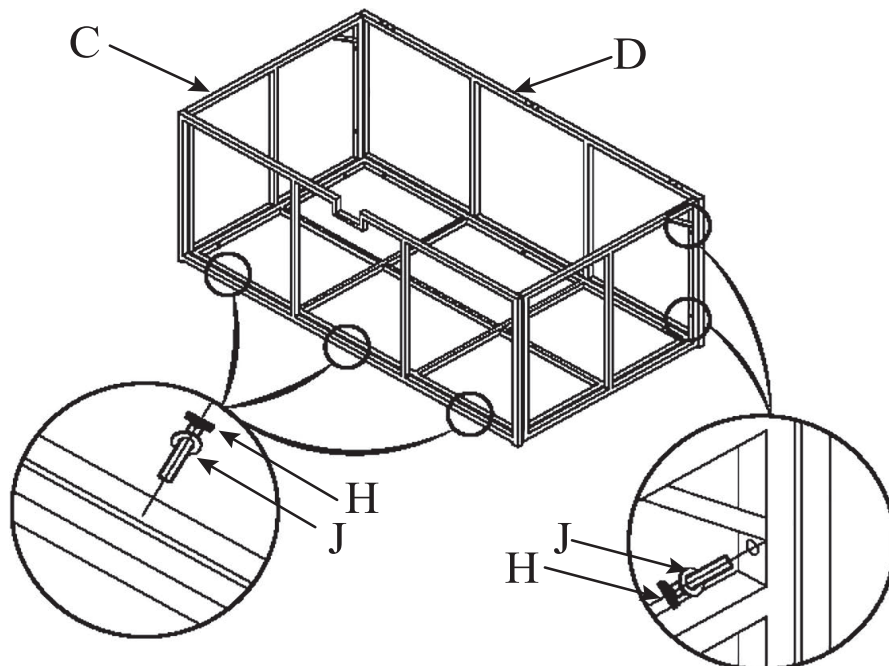
<p>Bolt (G)</p> <p>M4 x 32mm</p>  <p>Qty: 9</p>	<p>Bolt (H)</p> <p>M6 x 30mm</p>  <p>Qty: 20</p>	<p>Washer (I)</p>  <p>M4</p> <p>Qty: 9</p>	<p>Washer (J)</p>  <p>M6</p> <p>Qty: 20</p>
<p>Screw Nut (K)</p>  <p>Qty: 9</p>	<p>Plastic Washer (L)</p>  <p>Qty: 2</p>	<p>Wrench (M)</p>  <p>Qty: 1</p>	<p>Wrench (N)</p>  <p>Qty: 1</p>
<p>Wrench (O)</p>  <p>Qty: 1</p>			

STEP-BY-STEP ASSEMBLY

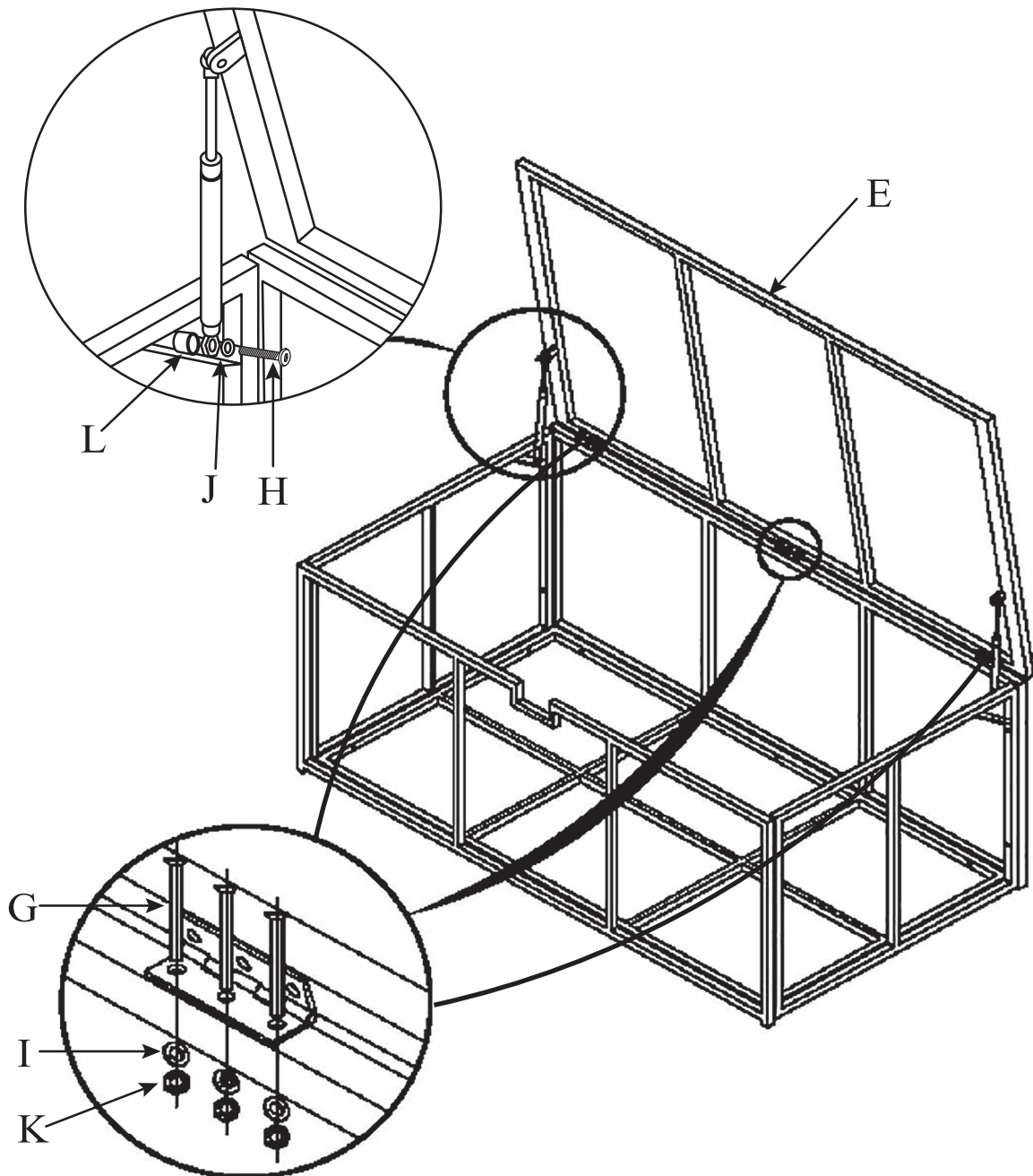
STEP 1 Attach Left Side Panel (B1) and Right Side Panel (B2) on both side to Base Panel (A) by using 4 Bolts (H) and 4 Washers (J).



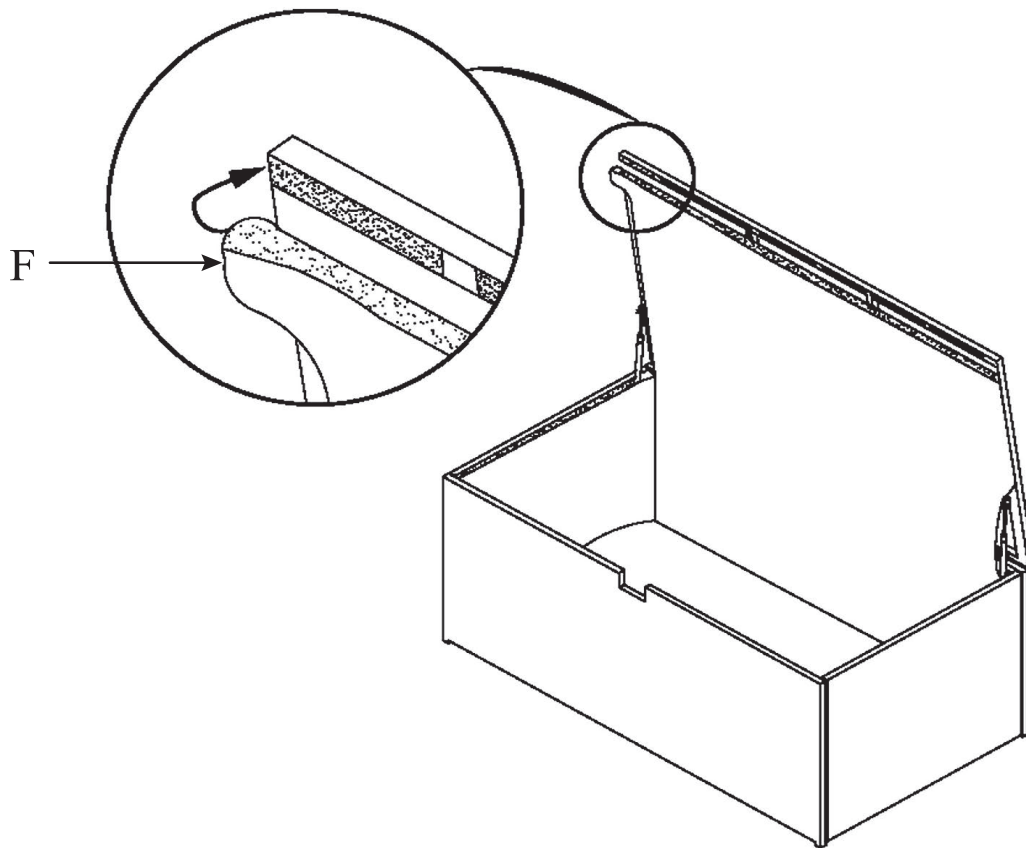
STEP 2 Attach Front Panel (C) and Back Panel (D) to the side panel on both side and base panel by using 14 Bolts (H) and 14 Washers (J).



STEP 3 Attach the hinges to back panel and secure them by using 9 Bolts (G), 9 Washer (I) and 9 Screw Nut (K), then fix Lid Panel (E) with gaslift rod to side panels by using 2 Bolts (H), 2 Washer (J) & (L).



STEP 4: Stick polyester bag to the edge of cover and let it inside of the box properly.



STEP 5: NOTE!! This is a storage box, not a stool. Do not sit on the cover.

