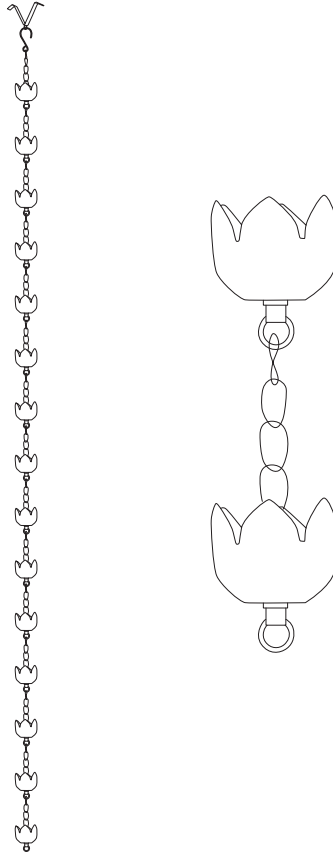


ASSEMBLY INSTRUCTION

8.5FT RAIN CHAIN



Please carefully unpack and identify each component before beginning assembly. Before you begin, please refer to parts list to make sure that you have all parts. Please take care when assembling the unit and always place the parts on a clean, soft surface. If you require assistance with assembly or parts, please call 888-357-7263.

Get social with us and discover more about our products, tips and exclusive discounts!

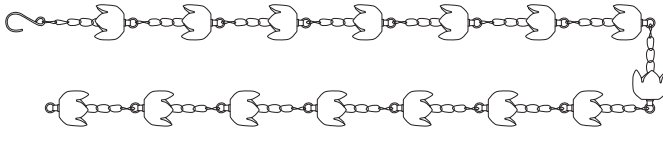


PRE-ASSEMBLY PREPARATION

- Please read through this instruction before beginning assembly.
- Installation may require some slight bending of gutter clip that can be easily done by hand or with pliers.
- Please check for any loose links or chains and tighten them before use.

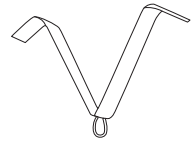
PARTS LIST

8.5ft Rain Chain (A)



Qty: 1

Gutter Clip (B)

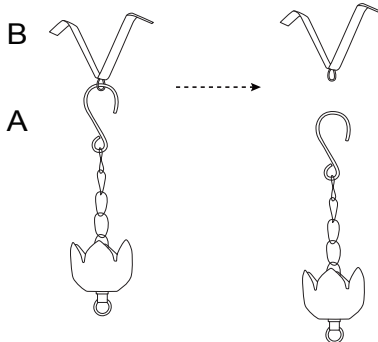


Qty: 1

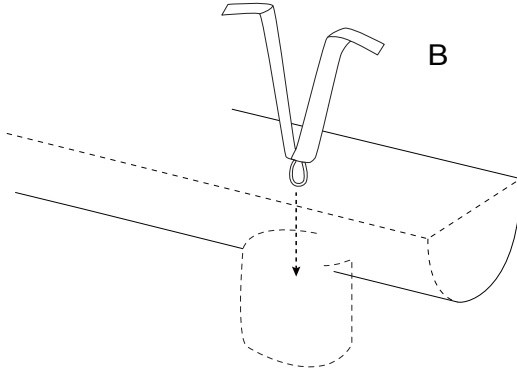
ASSEMBLY INSTRUCTION

IT'S BEST TO CHOOSE A LOCATION WHERE RAIN CHAINS CAN LEAD TO LANDSCAPED AREAS, RAIN BARREL AND WHERE OVERFLOW CAN BE DIVERTED FROM FOUNDATIONS.

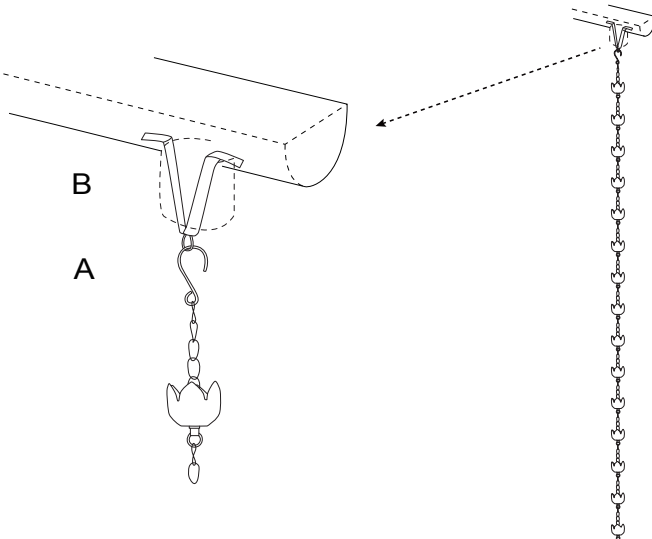
STEP 1 Unhook the V-shaped Gutter Clip (B) from the Rain Chain (A).



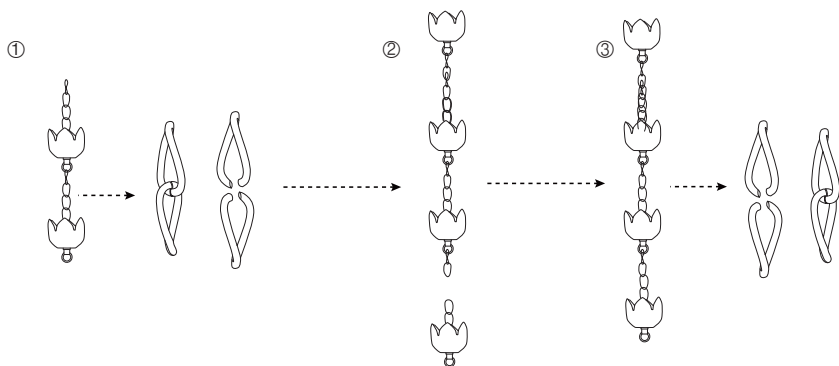
STEP 2 Slide the Gutter Clip (B) into the rain gutter drain hole.



STEP 3 Hook Rain Chain (B) onto Gutter Clip (A). Wait for rain and enjoy!
Note: Use a filter screen to prevent leaves and debris from dropping into your rain chain if needed.



STEP 4 You can adjust the length of the connector chain to suit your preference.



① Carefully open chain links by hand or with pliers.

② Remove or add chains as needed.

③ Make sure to close the chains tightly.

glit⁺zhome[®]

Glitzhome ,LLC.

Toll free 888-357-7263

customerservice@glitzhome.com