


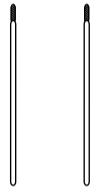
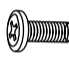
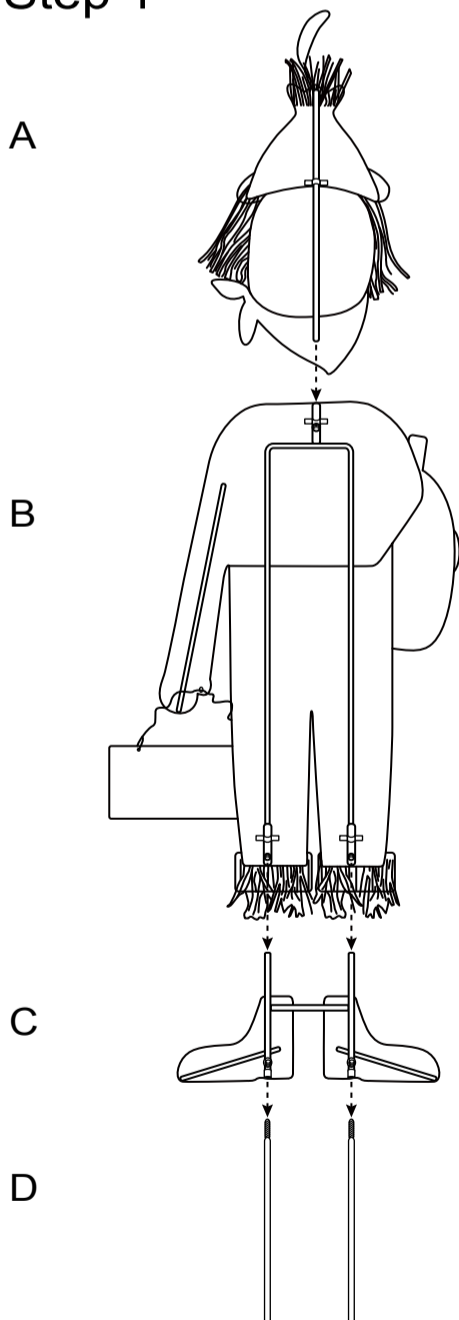


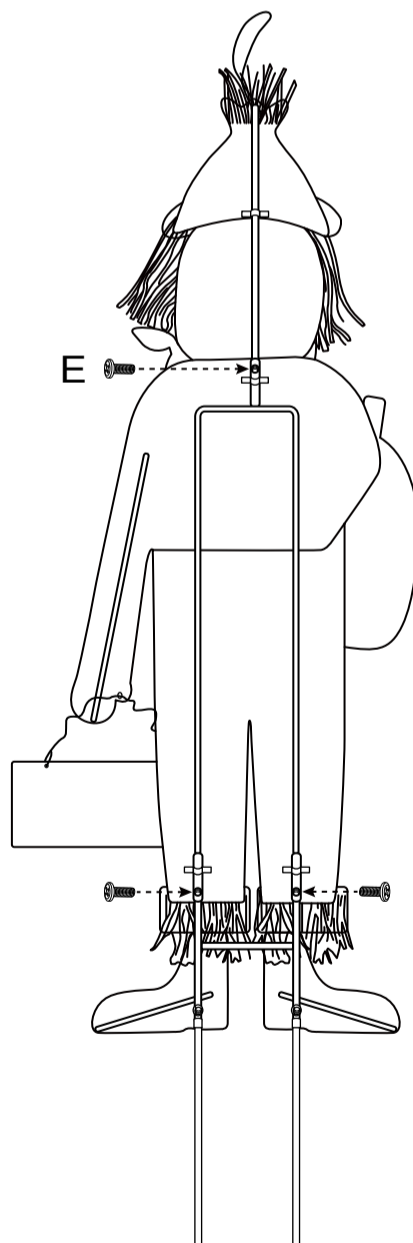
# ASSEMBLY INSTRUCTION

HARDWARE LIST	CODE	PARTS	QTY.	CODE	PARTS	QTY.
	A		1PC	C		1PC
	B		1PC	D		2PCS
				E		3PCS

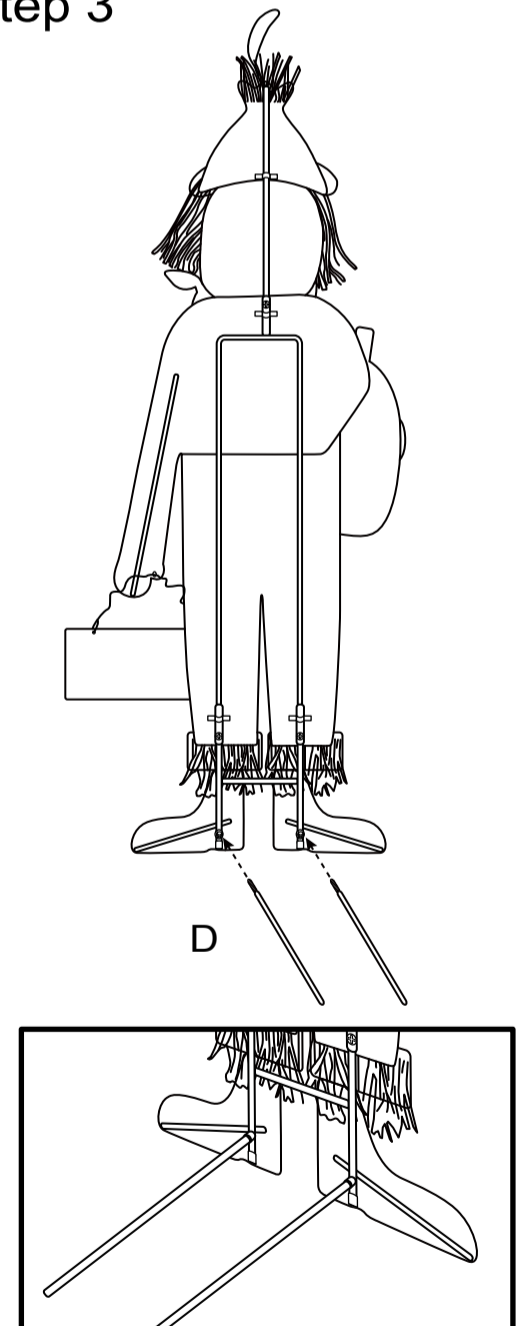
## Step 1



## Step 2



## Step 3



Get social with us and discover more about our products, tips and exclusive discounts!

