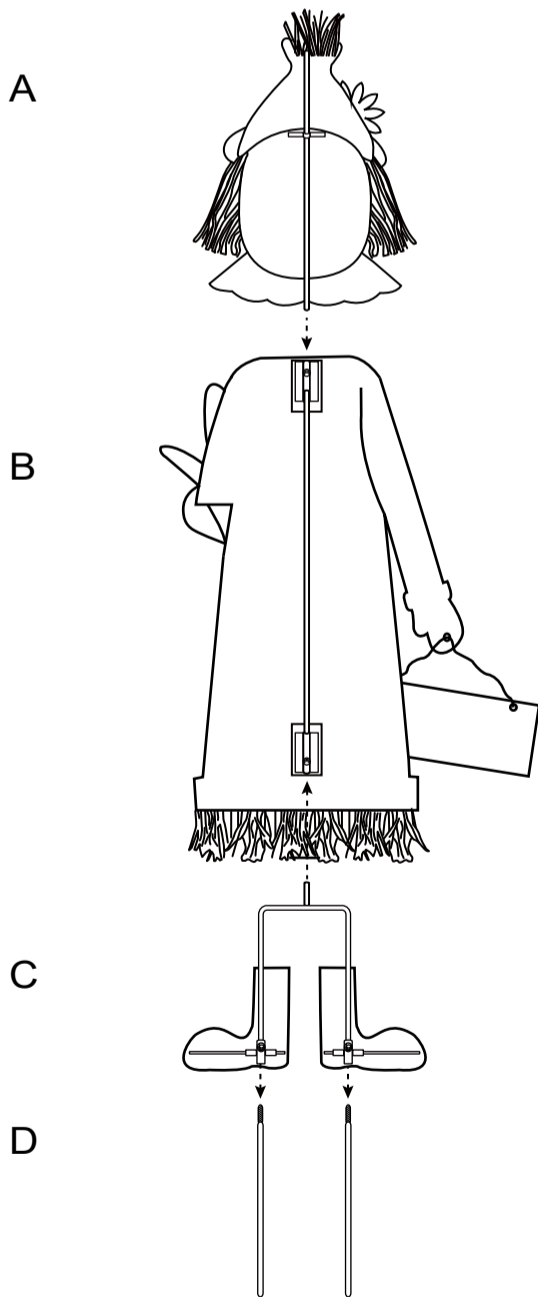


ASSEMBLY INSTRUCTION

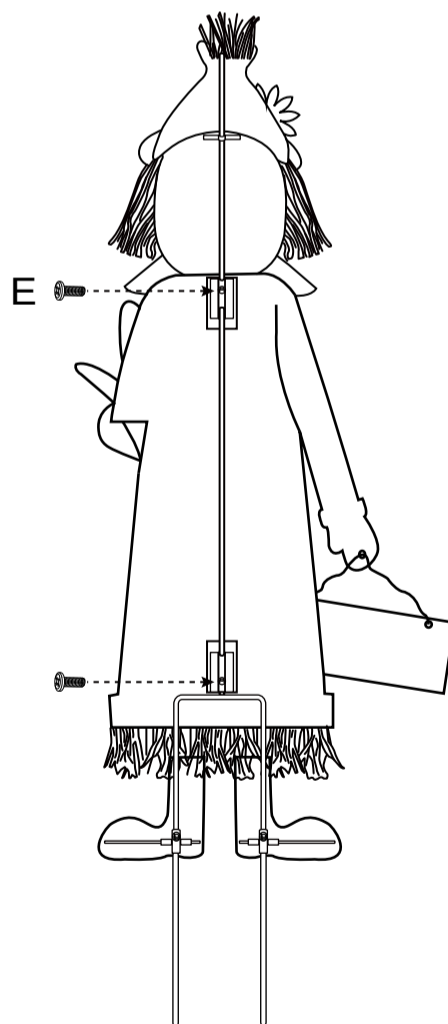


CODE	PARTS	QTY.	CODE	PARTS	QTY.
A		1PC	C		1PC
B		1PC	D		2PCS
HARDWARE LIST			E		2PCS

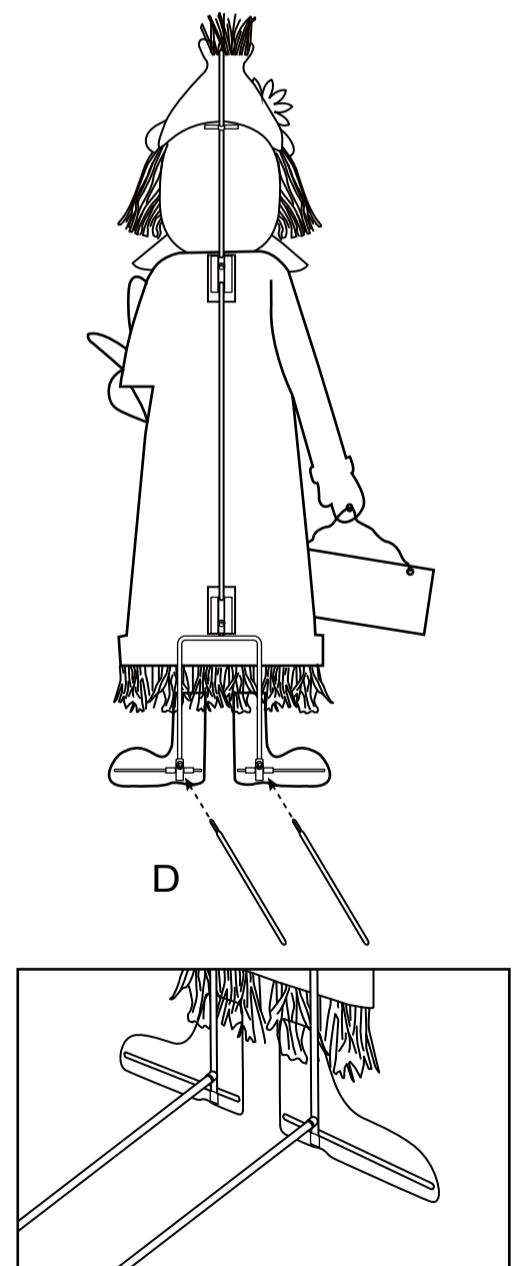
Step 1



Step 2



Step 3



Get social with us and discover more about our products, tips and exclusive discounts!

