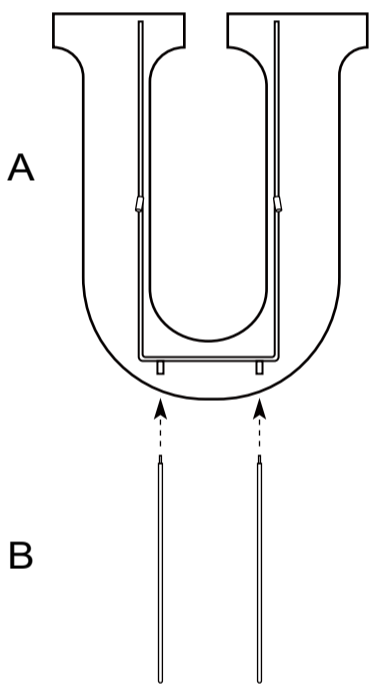


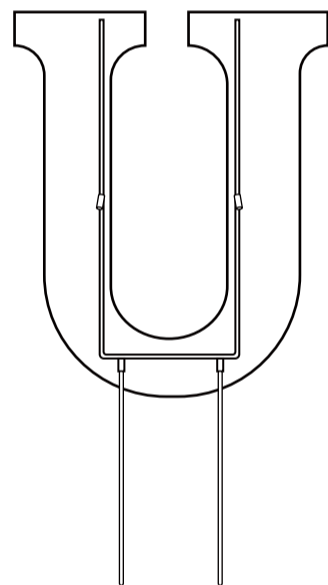
# ASSEMBLY INSTRUCTION

| CODE | PARTS | QTY. | CODE | PARTS | QTY. |
|------|-------|------|------|-------|------|
| A    |       | 3PCS | B    |       | 6PCS |
|      |       |      |      |       |      |

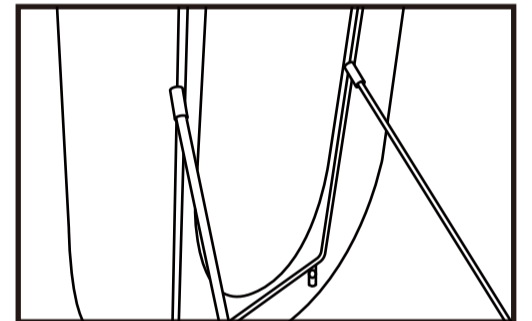
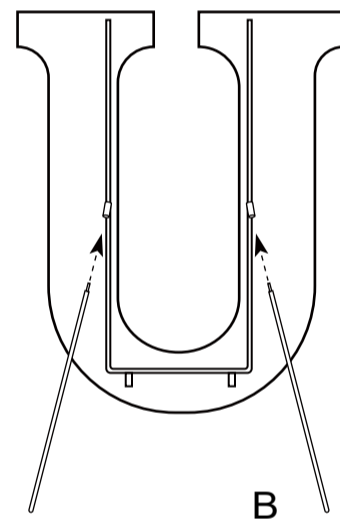
Step 1



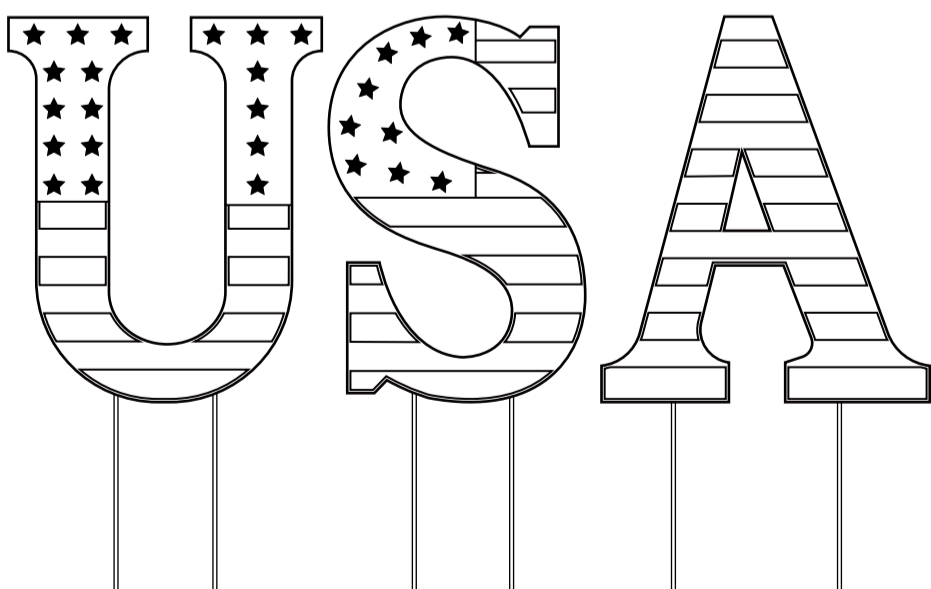
Step 2



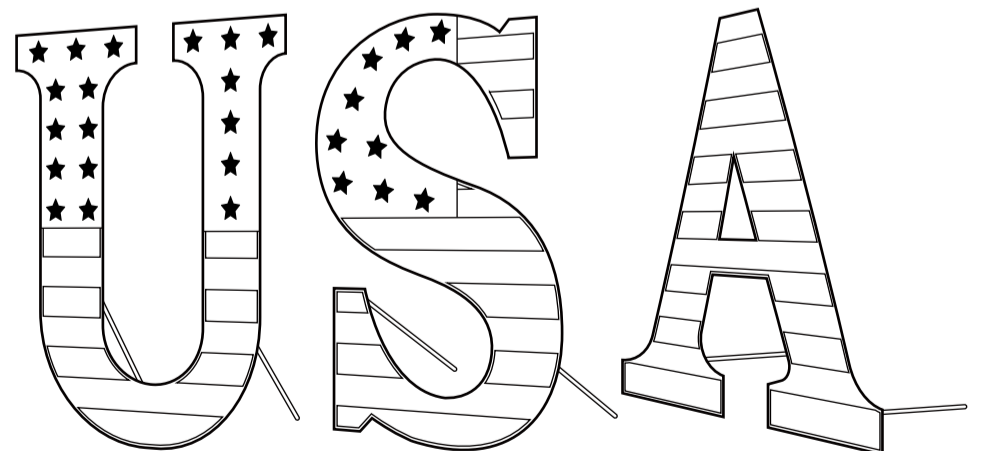
Step 3



Step 4



Step 5



Get social with us and discover more about our products, tips and exclusive discounts!

