

ASSEMBLY INSTRUCTION

Solar Triple Head Security Light

IMPORTANT: DOUBLE CHECK CONTENTS BEFORE DISCARDING THE PACKAGING TO PREVENT LOSING PARTS THAT ARE NEEDED FOR ASSEMBLY

HOW THE SOLAR LIGHT WORKS:

During the day, the solar panel converts solar power into energy and stores it in the rechargeable battery. At night, the light turns on automatically and using the energy stored when motion is detected. The duration of the illumination will depend on your geographical location, weather conditions and seasonal light availability.

CHOOSE AN IDEAL LOCATION:

1. Choose an outdoor location where the solar panel can receive at least 8 hours of full and direct sunlight each day. Shaded locations will reduce the battery charge and shorten the operating time at night.
2. Avoid placing solar security light near bright light sources, such as street lights. The bright light sources may cause the solar light to turn off automatically. Solar lights are ideal for night time lighting in the garden, lawn, etc. You can also place the solar lights outdoor during the day and then place them indoor, garage, shed, corridor or caravans for lighting.
3. When choosing a location, remember that there is 5m cable length attached to the solar panel, which means that your light can be installed anywhere within 5m of the chosen location for the solar panel.
4. When locating a suitable position for the device, remember that the PIR sensor detects an area of approximately 180 degrees horizontally within a range of up to 10 meters.
5. The recommended mounting height for your security light is approximately 2.5m.
6. Your security light should be located in a semi-protected area where it will not be exposed to excessive rain.

ASSEMBLY INSTRUCTIONS:

Fig 1

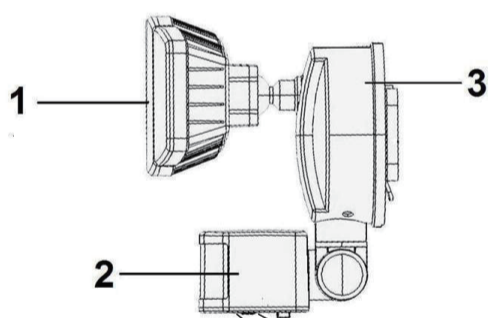


Fig 2



Attention: Keep This Side Down.

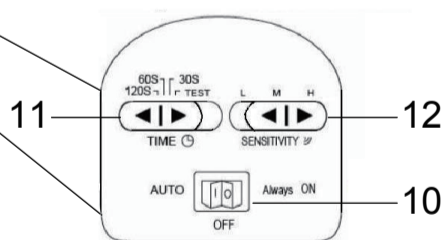


Fig 3

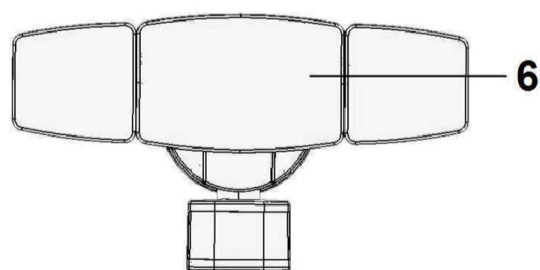
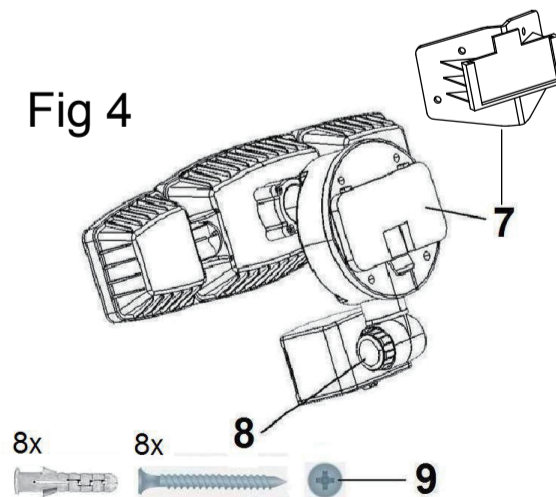


Fig 4



Get social with us and discover more about our products, tips and exclusive discounts!



ASSEMBLY INSTRUCTION

PART LIST:

This pack should come complete with the following

Fig 1

- Part 1 - Lamp
- Part 2 - Motion Detector Head
- Part 3 - Battery Housing

Fig 2

- Part 4 - Solar Panel with 5m Wire
- Part 5 - Solar Panel Mounting Bracket

Fig 3

- Part 6 - Solar Security Light

Fig 4

- Part 7 - Flat Mounting Plate & 90° Corner Wall Bracket (Replaceable)
- Part 8 - Motion Detector Position Adjusting Knob
- Part 9 - 8 x mounting screws & 8 x wall plugs

Fig 5

- Part 10 - Auto/Off/Always On
- Part 11 - Sensitivity Adjusting Dial
- Part 12 - Time Adjusting Dial

SOLAR PANEL WALL OR DECK MOUNTED ASSEMBLY:

Step 1: Secure bracket to solar panel with screw provided as shown in Fig 6.

Step 2: Set bracket on surface and secure in place with larger screws provided as shown in Fig 7.

Step 3: Adjust angle of solar panel to ensure it receives optimum sunlight.

Note: The solar panel is equipped with a 5-meter cord so both units can be installed up to 5 meters apart.

Fig 6

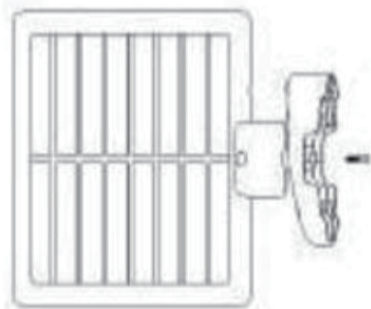
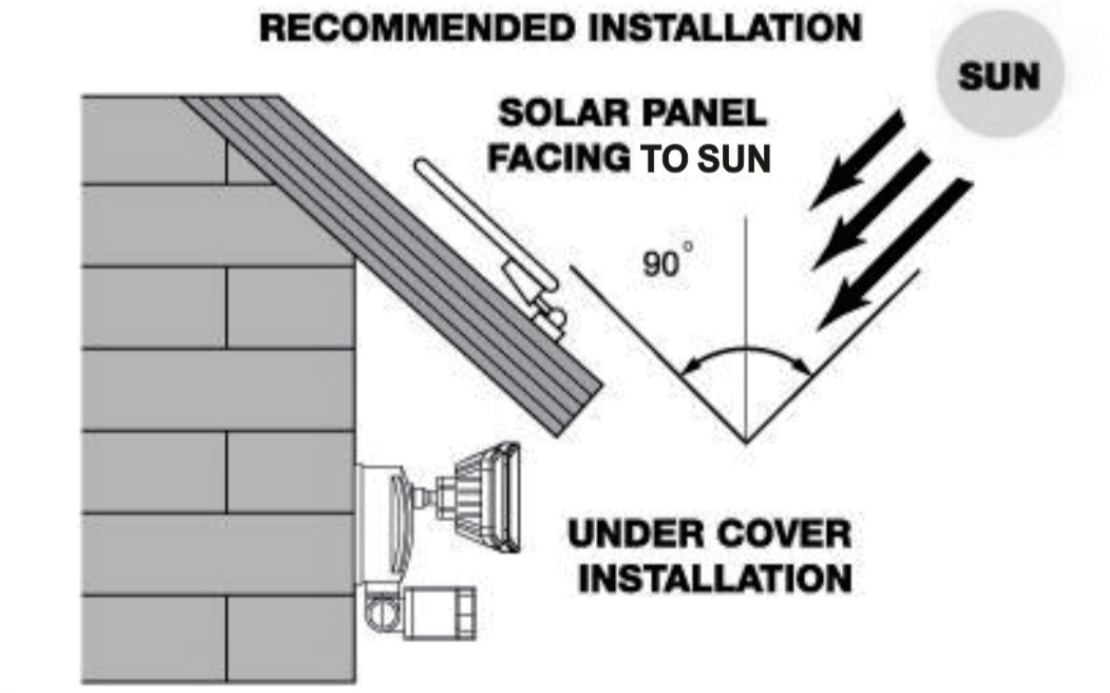


Fig 7



RECOMMENDED INSTALLATION



ASSEMBLY INSTRUCTION

LAMP INSTALLATION:

Step 1: Choose a location for the light, remembering that it must be within a 5m distance to where you have installed the solar panel.

Step 2: Using the pre-drilled holes in part A as a template, mark your wall positions to drill holes.

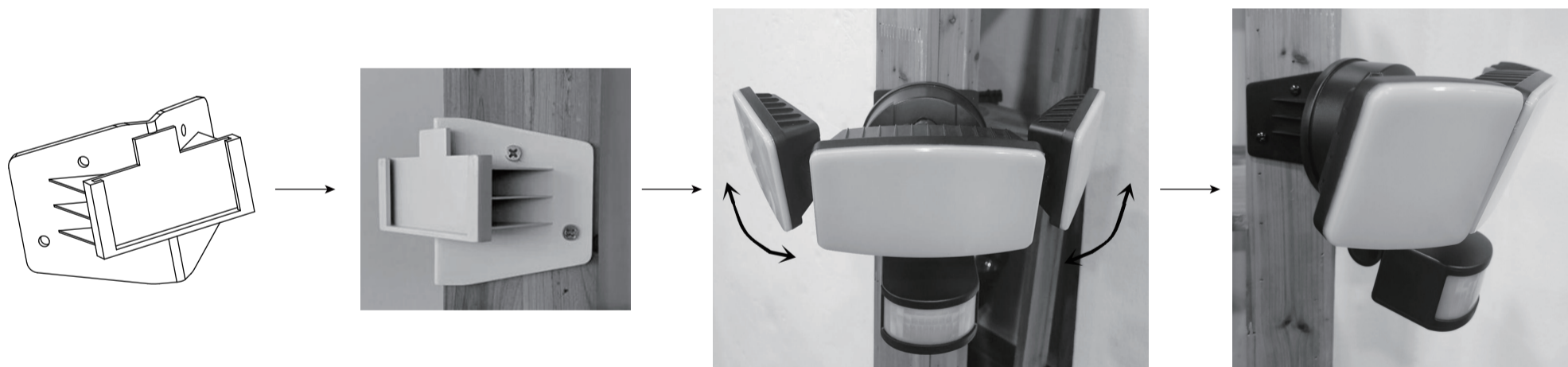
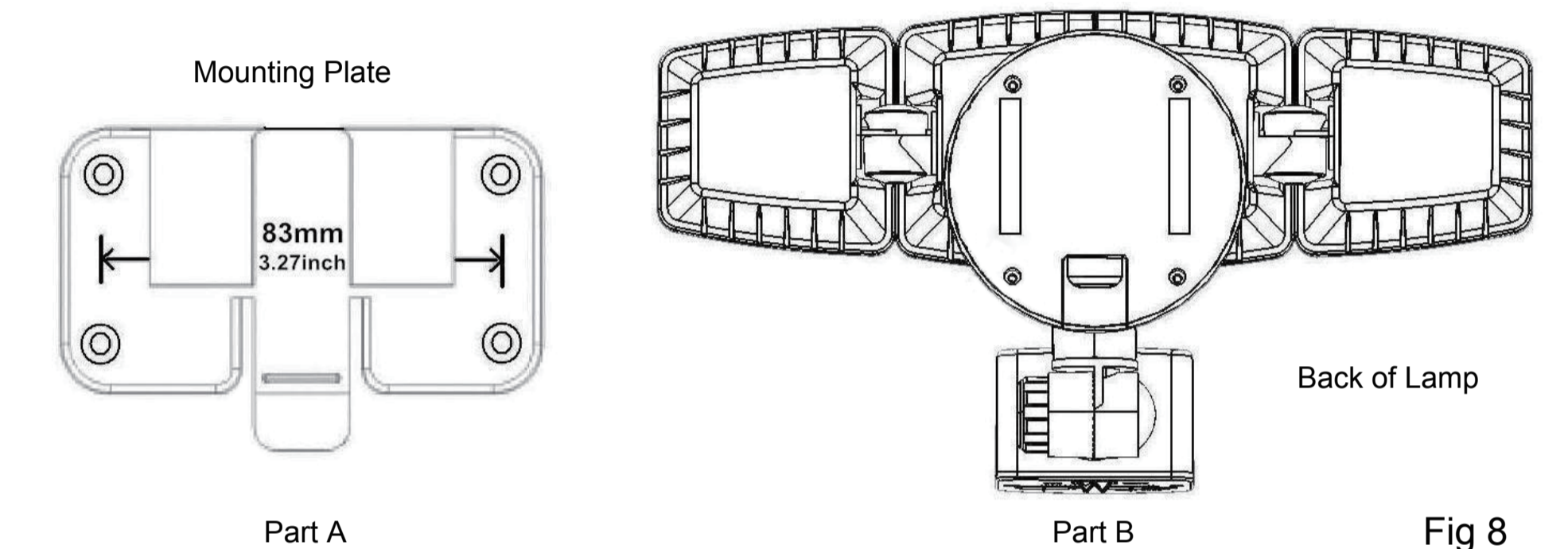
Step 3: Drill holes at each of 4 marks to fit the wall plugs.

Step 4: Screw the mounting plate (or 90° corner wall bracket) with 4 pcs screws to fix it on the wall (or 90° wall corner).

Step 5: Insert the light (Part B) on the mounting plate (or 90° corner wall bracket) to make sure it fits well. Note: to install the light on the 90° wall corner can get more lighting area.

Step 6: Adjust the angle of the PIR sensor so it is directed towards your detection area.

NOTE: Lamp unit should be mounted 2-3 meters (6.5-9ft) from the ground to ensure motion detection is optimized.



HOW TO OPERATE THE SWITCH WITH 3 POSITIONS:

1. It is strongly recommended to keep the "AUTO" setting, as the light will turn on automatically at night.
2. When the switch is at the "OFF" position, the light will remain off and will not detect any movement.
3. When the switch is at the "Always on" position, the light will remain on and can be used as a regular light. It means the light will be always on. Please note to switch it to "OFF" position while charging.

Attention: "Always on" is like an emergency light. On this setting, the light can operate for a maximum of 1 hour, please set to "AUTO" for normal usage.

HOW TO USE CONTROL DIALS:

The solar security light has 2 different control dials which allow you to adjust its settings.

TIME - The duration of the illumination once the motion has been detected.

- a) The "TIME" adjusting dial will set the duration of time the light will stay illuminated after motion has been detected.
- b) The time can be adjusted: 30 seconds, 60 seconds, or 120 seconds.
- c) "Test" mode is for testing the light and it is same as "always on".

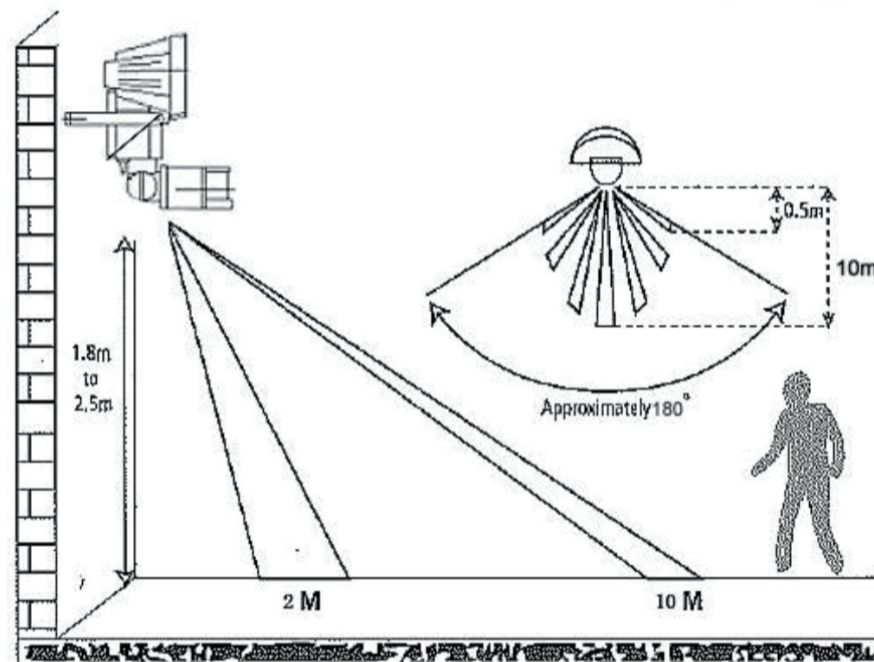
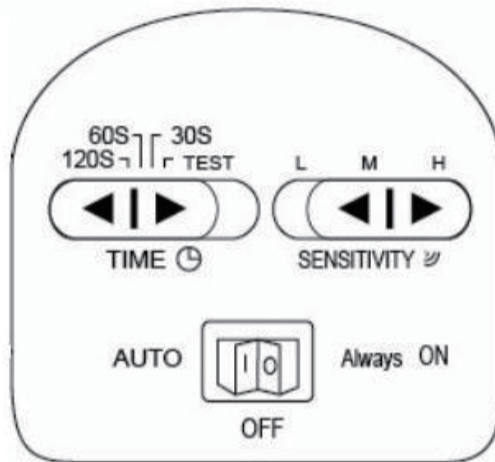
ASSEMBLY INSTRUCTION

SENS - Sensitivity to motion.

a) This dial determines the range of the motion detector.

b) L/M/H: Low (Short Distance) / Medium (Normal Setting.) / High (High Distance)

c) "H" means Maximum position with Maximizes sensor's range (10 Meters- 32.8feet) at 25 degrees C.



ATTENTION FOR FIRST TIME USE:

1. Keep the security light and solar panel connected, the batteries in your security light must be fully charged before the first time to use.
2. To charge batteries, expose the solar panel to direct sunlight for at least 3 days with the switch at the "OFF" position.
3. After you have fully charged the batteries, push the "AUTO/OFF/Always on" to the "AUTO" position, it will automatically turn on when motion is detected at night and automatically charge during the day.
4. Please note the solar light is designed to work when the environment gets dark. If there are strong light sources nearby, the solar light may illuminate dimly or not light up at all.
5. Surface of the solar panel must be kept clean. Dusty surface will reduce charging efficiency.

TROUBLESHOOTING :

Fault: The solar light's brightness is low or unit flashes.

1. Batteries may need charging or replacing.
2. Make sure the solar light is located in a sunny location and the solar panel can receive direct sunlight every day. After re-positioning the solar light, please charge the solar light under direct sunlight at least 3 days with the switch at the "OFF" position.
3. Check for objects obstructing the solar panel like overhanging branches, fences, or buildings. If there is an obstruction, please change the solar light to another location.
4. Surface of the solar panel must be kept clean. Dusty surface will reduce charging efficiency.

ASSEMBLY INSTRUCTION

Fault: The solar light not turns on automatically when motion is detected at night.

1. Make sure the power switch is at the "AUTO" position.
2. Check and keep the male plug attached to the solar panel has been connected securely to the light body to enable batteries to charge.
3. Make sure solar panel is not being affected by other night time light sources.
4. Check to ensure that the PIR sensor has been directed towards the detection area.
5. Batteries may need charging or replacing. Ensure solar panel is positioned in an area that can receive maximum sunlight each day to fully charge batteries.

REPLACE BATTERIES:

If the solar light stops working after it has been used for a long time, the battery may need to be replaced. You may replace it with new rechargeable batteries. 3pcs 1.2V AA 1800MAH Ni-MH rechargeable batteries included, same equivalent type as recommended must be used.

Step1: The batteries are located in the battery housing at the back of the lamp. Unscrew the battery housing cover by using a Phillips head screwdriver (not included).

Step2: Remove the exhausted battery and install 3pcs new AA rechargeable batteries according to the +/- polarity. Open the compartment carefully and ensure that welding wires inside the battery terminals are not damaged.

Step3: Reassemble battery housing cover, screw it back into position and make sure it is properly sealed.

Note: Rechargeable batteries may last up to 800 charges. For best performance, it is recommended to replace batteries every 12 months.

⚠ WARNING

1. Keep batteries away from children. This product is not a toy.
2. Ensure battery contacts are clean and free of debris.
3. Install batteries according to correct polarity (+/-).
4. DO NOT mix old and new batteries.
5. DO NOT mix alkaline, standard (carbon-zinc) or rechargeable batteries (Ni-Cd, Ni-MH, etc.).
6. Remove batteries when consumed or when product is not in use for an extended period of time.
7. Contains Ni-MH battery. Batteries must be recycled or disposed of properly, in accordance with all state and local regulations. DO NOT crush, puncture, or incinerate.

MAINTENANCE:

1. Ensuring the lamp is kept clean, will optimize performance.
2. Clean solar cell with a damp cloth, do not apply excessive pressure.
3. Do not use any solvents or cleaning agents on the solar modules.

SAFETY INFORMATION:

1. Do not install close flames or flammable gasses.
2. Do not install on an unstable surface / position.
3. Do not stare directly at light when lighting on.
4. To prevent the device from falling, install the base unit with expansion screw.

SAVE THESE INSTRUCTIONS - THIS MANUAL CONTAINS IMPORTANT SAFETY AND
OPERATING INSTRUCTIONS FOR POWER UNITS.