

Assembly Instruction

CAST ALUMINIUM PATIO DINING TABLE




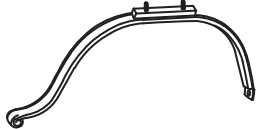
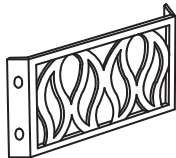
Carefully unpack and identify each component before beginning assembly. Before you begin, please refer to parts list to make sure that you have all parts. Please take care when assembling the unit and always place the parts on a clean, soft surface. If you require assistance with assembly or parts, please call 888-357-7263.

PRE-ASSEMBLY PREPARATION





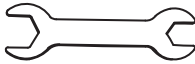
WARNING! DO NOT LET CHILDREN PLAY IN OR AROUND THE UNIT DUE TO THE POSSIBLE RISK OF FINGER ENTRAPMENT

- Please read through this instruction before beginning assembly.
- Two adults assembly is recommended.
- Clear out the space for assembly and lay out all parts base on Parts List, extra room will allow you to easily determine if all the pieces are present.
- Save all packing materials until assembly is complete to avoid accidentally discarding smaller parts or hardware.
- Keep small parts and pieces away from children until fully assembly.
- **Do not fully tighten the bolts until all have been inserted and hand tightened.**
- Please check for any loose screws and tighten them before use.

PANEL AND FITTINGS IDENTIFICATION





<p>Table Top (A)</p>  <p>Qty: 1</p>	<p>Leg (B)</p>  <p>Qty: 4</p>	<p>Panel (C)</p>  <p>Qty: 4</p>	
---	---	--	--

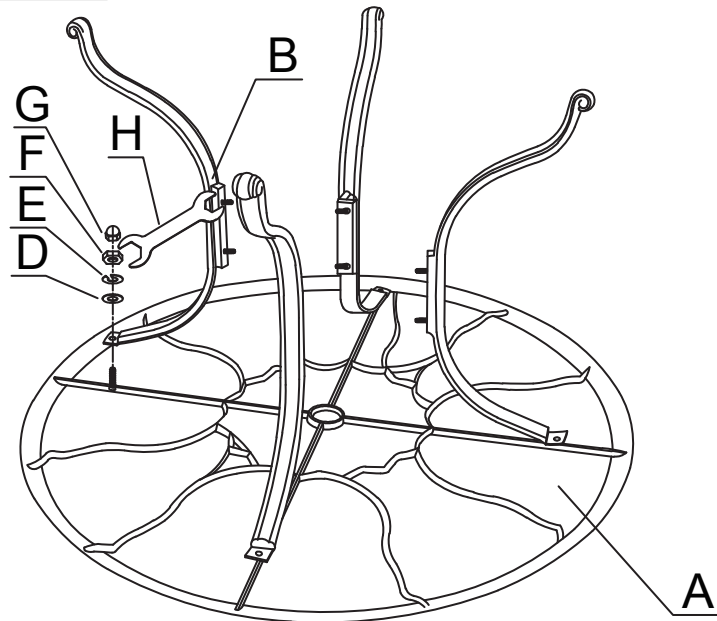
HARDWARE LIST

<p>Washer (D)</p>  <p>Qty: 12</p>	<p>Spring Washer (E)</p>  <p>Qty: 12</p>	<p>Nut (F)</p>  <p>Qty: 12</p>	<p>Nut Cap (G)</p>  <p>Qty: 12</p>
<p>Wrench (H)</p>  <p>Qty: 1</p>			

Step 1





Attach 4 Legs (B) to backside of Table Top (A) by using Washer (D), Spring Washer (E) and Nut (F). Do not make all bolts tightened or put Nut Cap (G).

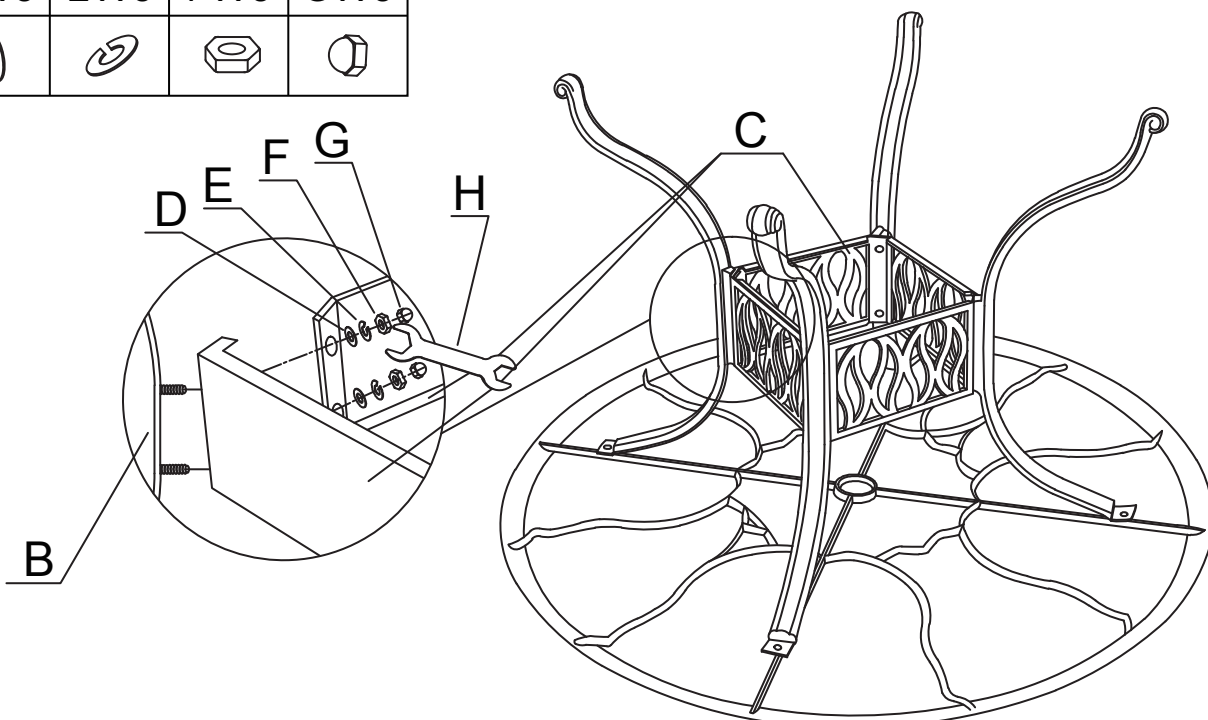
DX 4	EX 4	FX 4	GX 4
			



Step 2

Connect 4 Panels (C) to 4 Legs (B) by using Washer (D), Spring Washer (E) and Nut (F).

DX 8	EX 8	FX 8	GX 8
			



Step 3

Finally put Nut Cap (G) until all parts have been connected and bolts are tightened.

