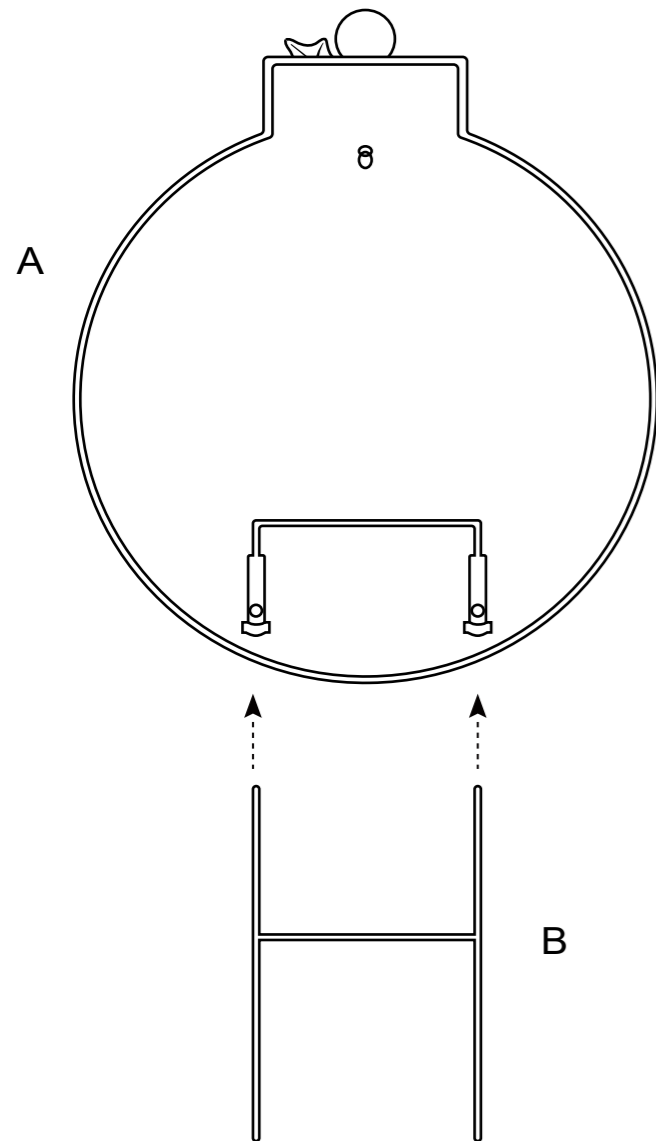
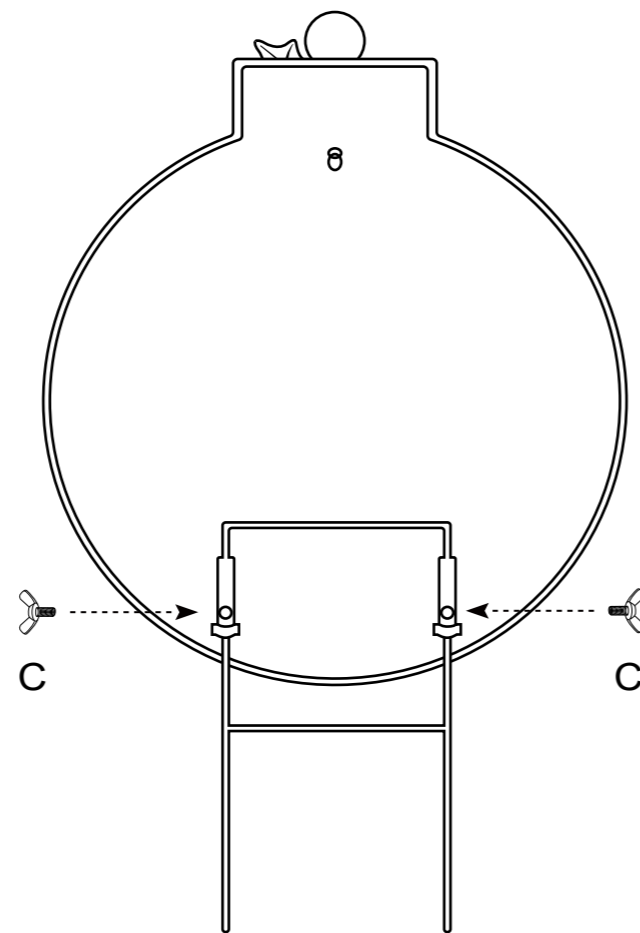


# ASSEMBLY INSTRUCTION

## Step 1






## Step 2



## Step 3



### HARDWARE LIST

CODE	PARTS	QTY.
A		1PC
B		1PC
C		2PCS

Get social with us and discover more about our products, tips and exclusive discounts!

