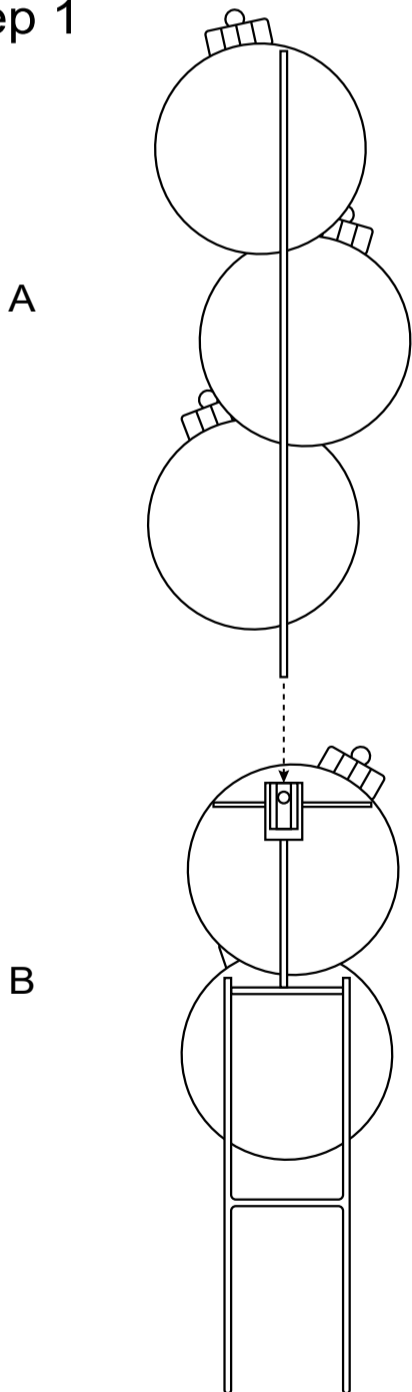


# ASSEMBLY INSTRUCTION

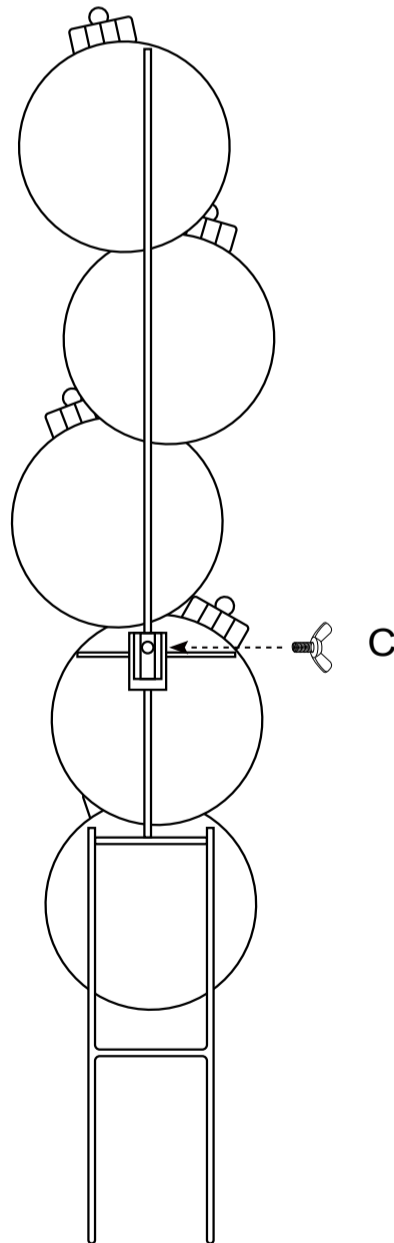


HARDWARE LIST					
CODE	PARTS	QTY.	CODE	PARTS	QTY.
A		1PC	B		1PC
			C		1PC

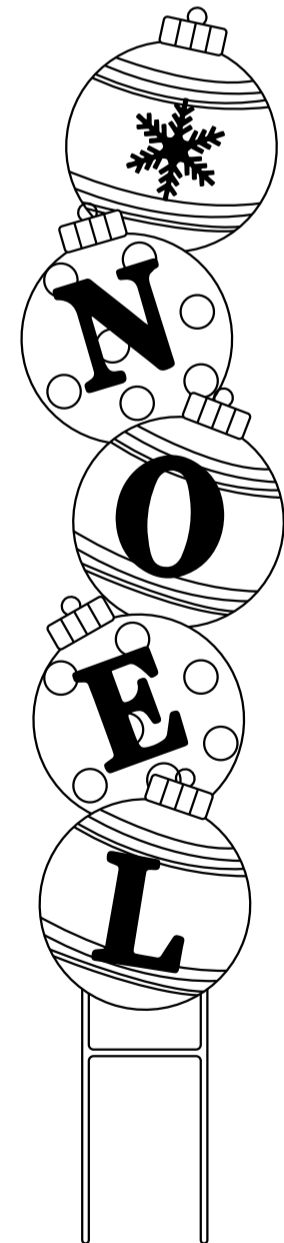
Step 1



Step 2



Step 3



Get social with us and discover more about our products, tips and exclusive discounts!

