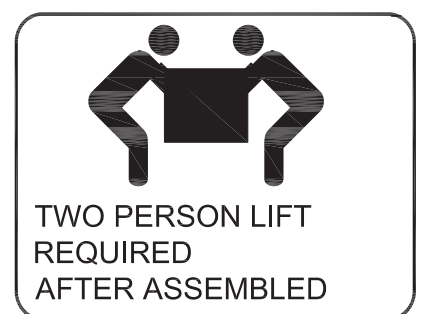
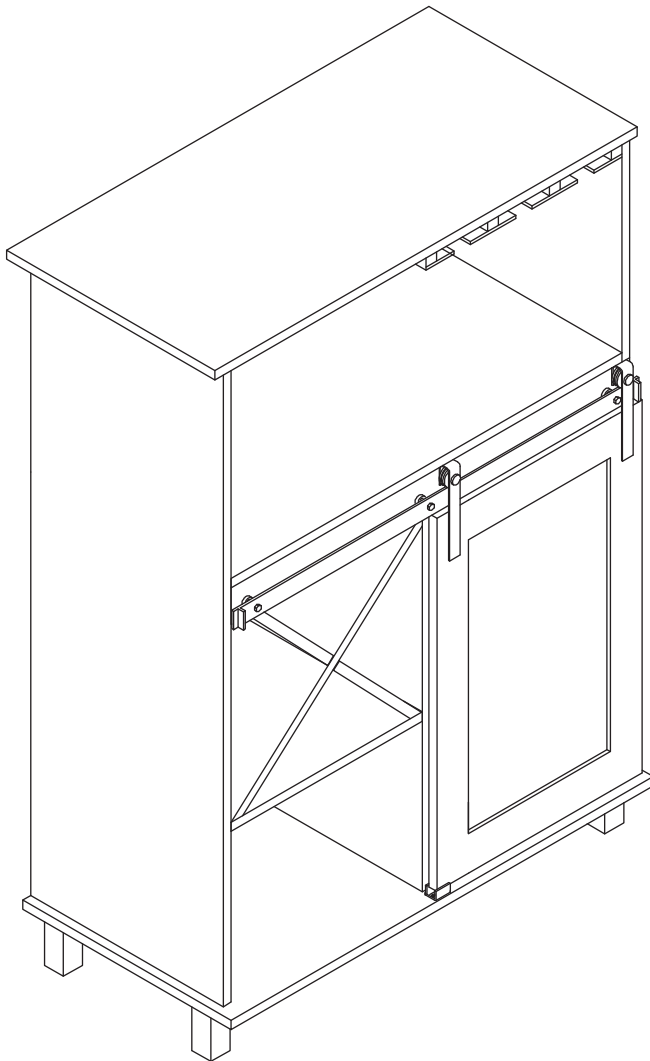


Assembly Instruction

Black And Light Two-color High Wine Cabinet

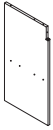

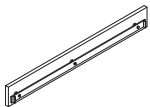
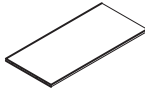




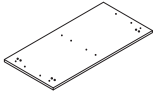
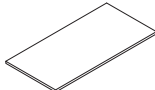


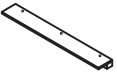

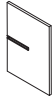


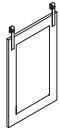


Carefully unpack and identify each component before beginning assembly. Before you begin, please refer to parts list to make sure that you have all parts. Please take care when assembling the unit and always place the parts on a clean, soft surface. If you require assistance with assembly or parts, please call 888-357-7263.



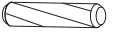
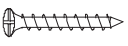


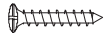



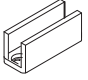
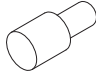
Get social with us and discover more about our products, tips and exclusive discounts!



PART	DESCRIPTION	QTY	PART	DESCRIPTION	QTY
1	PARTITION WALL	1	12	MIDDLE WINE GLASS HANGER	2
2	LEFT SHELF	1	13	RIGHT WINE GLASS HANGER	1
3	FRONT BAR	1	14	X WINE RACK	1
4	MIDDLE PANEL	1	15	X WINE RACK	1
5	LEFT PANEL	1	16	BACK PANEL	2
6	ADJUSTABLE SHELF	2	17	PLASTIC BAR	1
7	RIGHT PANEL	1	18	DOOR	1
8	LEGS	4			
9	BOTTOM PANEL	1			
10	TOP PANEL	1			
11	LEFT WINE GLASS HANGER	1			

PARTS LIST					
<p>PARTITION WALL (1)</p>  <p>Qty:1</p>	<p>LEFT SHELF (2)</p>  <p>Qty:1</p>	<p>FRONT BAR (3)</p>  <p>Qty:1</p>	<p>MIDDLE PANEL (4)</p>  <p>Qty:1</p>	<p>LEFT PANEL (5)</p>  <p>Qty:1</p>	<p>ADJUSTABLE SHELF (6)</p>  <p>Qty:2</p>
<p>RIGHT PANEL (7)</p>  <p>Qty:1</p>	<p>LEGS (8)</p>  <p>Qty:4</p>	<p>BOTTOM PANEL (9)</p>  <p>Qty:1</p>	<p>TOP PANEL (10)</p>  <p>Qty:1</p>	<p>LEFT WINE GLASS HANGER (11)</p>  <p>Qty:1</p>	<p>MIDDLE WINE GLASS HANGER (12)</p>  <p>Qty:2</p>
<p>RIGHT WINE GLASS HANGER (13)</p>  <p>Qty:1</p>	<p>X WINE RACK (14)</p>  <p>Qty:1</p>	<p>X WINE RACK (15)</p>  <p>Qty:1</p>	<p>BACK PANEL (16)</p>  <p>Qty:2</p>	<p>PLASTIC BAR (17)</p> 	<p>DOOR (18)</p>  <p>Qty:1</p>

HARDWARE LIST

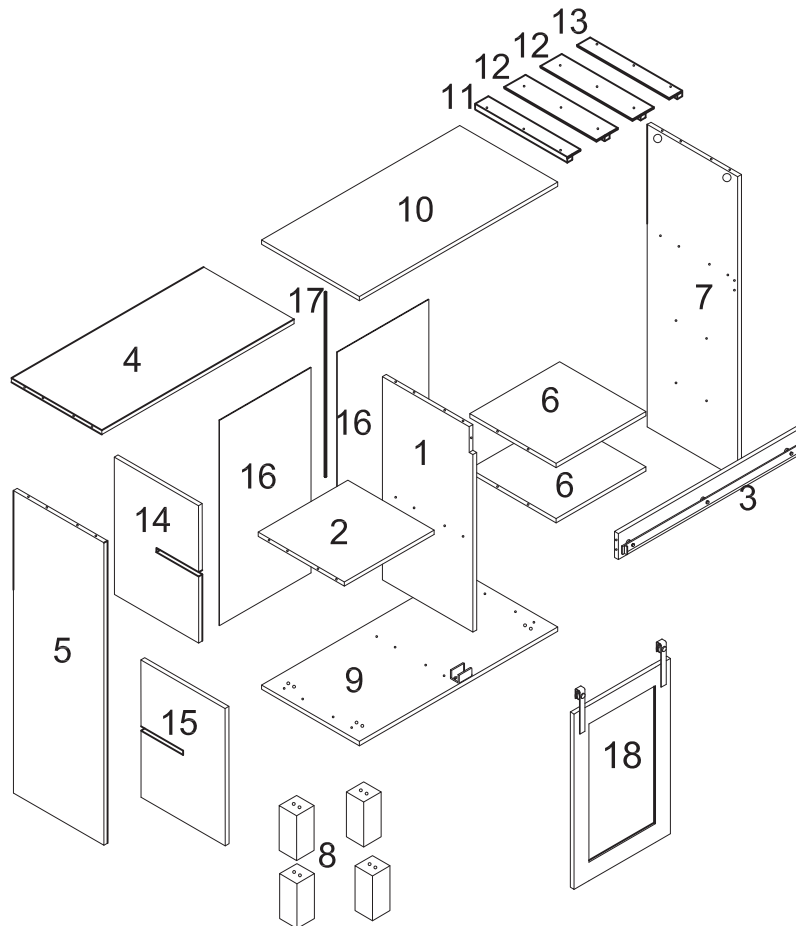
<p>CAM BOLT (A)</p>  <p>Qty:21</p>	<p>CAM LOCK (B)</p>  <p>15*12MM Qty:21</p>	<p>WOODEN DOWEL (C)</p>  <p>8*30MM Qty:26</p>	<p>SCREW (D)</p>  <p>4*30MM Qty:20</p>	<p>SCREW (E)</p>  <p>L6*3*14MM Qty:2</p>	<p>SCREW (F)</p>  <p>3*12MM Qty:18</p>
<p>SCREW (G)</p>  <p>4*25MM Qty:4</p>	<p>WASHER (H)</p>  <p>Qty:4</p>	<p>ANCHOR (I)</p>  <p>Qty:2</p>	<p>FIX BELT (J)</p>  <p>Qty:2</p>	<p>U-TYPE METAL PLATE (K)</p>  <p>Qty:1</p>	<p>SHLEF PIN (L)</p>  <p>Qty:8</p>

PRE-ASSEMBLY PREPARATION




WARNING: MAXIMUM LOAD NOT EXCEED 10LBS ON SHELVES.

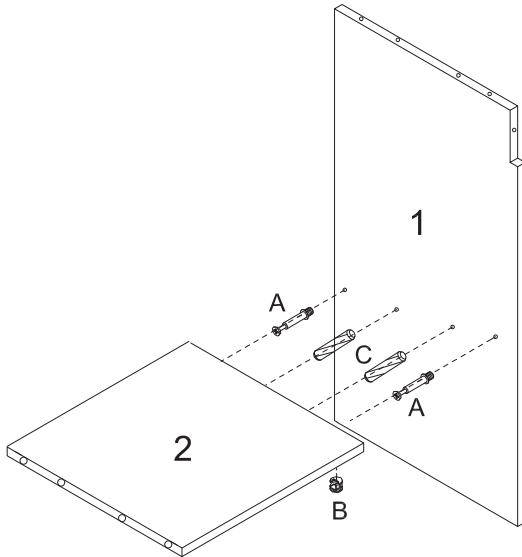
- **CAUTION:**Assembly will require at least 2 adults.
DO NOT use power tools. To prevent serious injury or death, this product is equipped with a wall anchoring system. Before this product can be used, the wall anchoring system must be installed as directed in the assembly instructions.
- **CARE AND CLEANING:**DO NOT scratch or chip the finish. DO NOT use abrasive chemicals for cleaning. Clean with mild soap on a soft rag. Rinse and dry thoroughly.
- **MAINTENANCE:**Check bolts/screws periodically and tighten if necessary.
- **WARNING:**DO NOT USE if this product become damaged, and/or components are broken or missing.
- **REMINDER:**Please DO NOT fully tighten all bolts until metal frame assembly is complete.

Explosive View

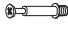



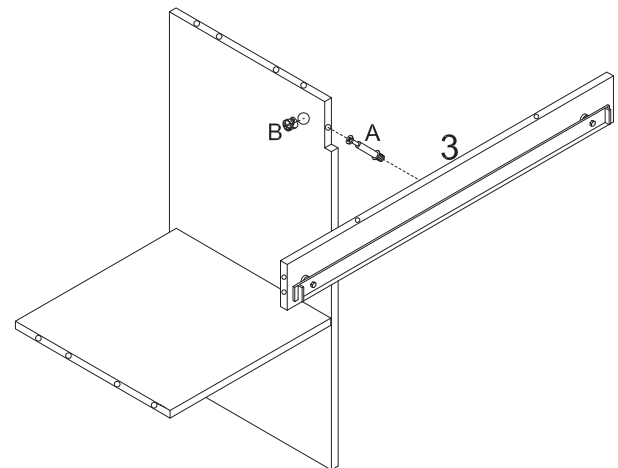
Step 1

A x 2	B x 2	C x 2
		






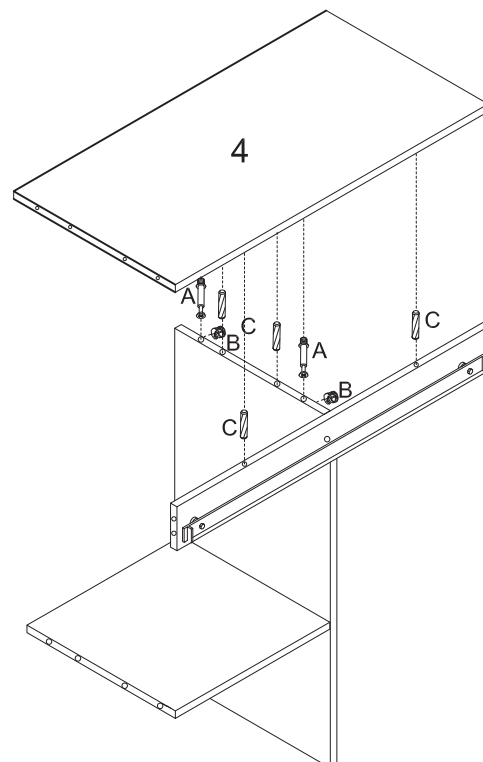
Step 2

A x 1	B x 1
	

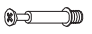




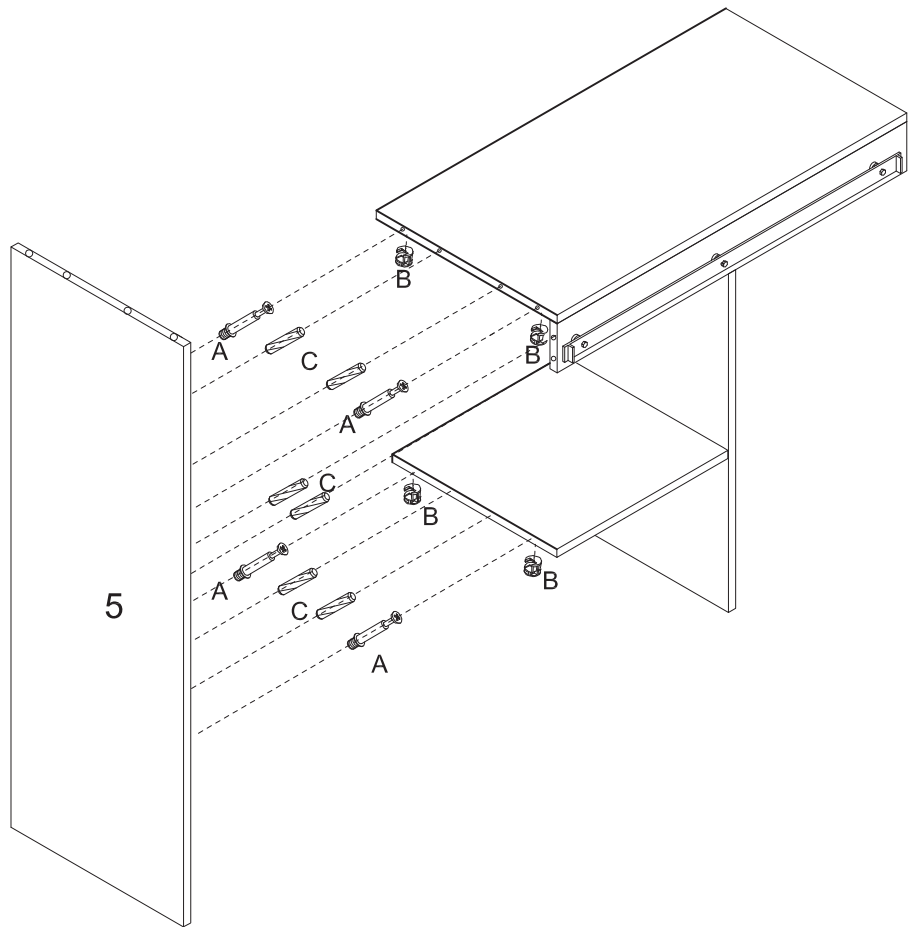
Step 3

A x 2	B x 2	C x 4
		

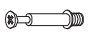




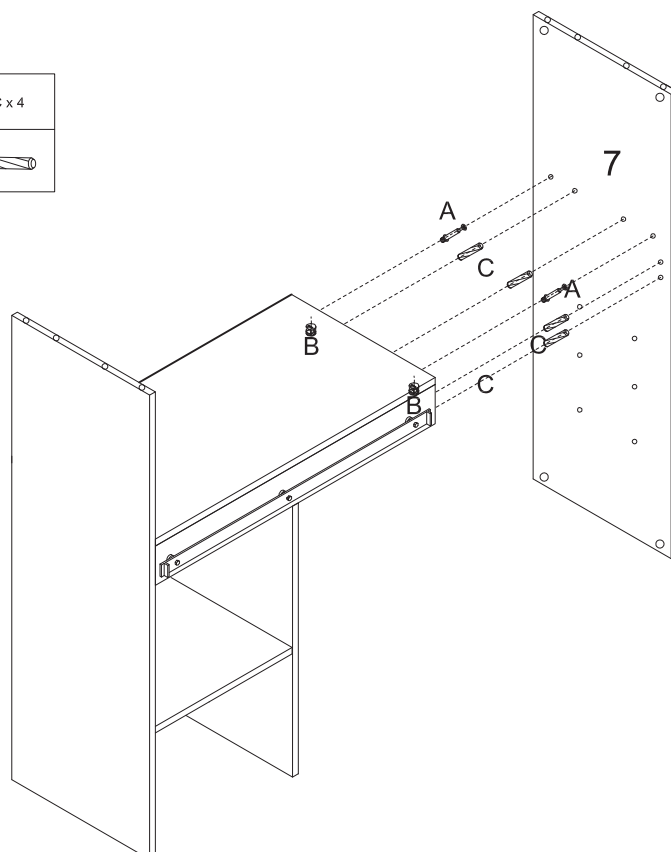
Step 4

A x 4	B x 4	C x 6
		

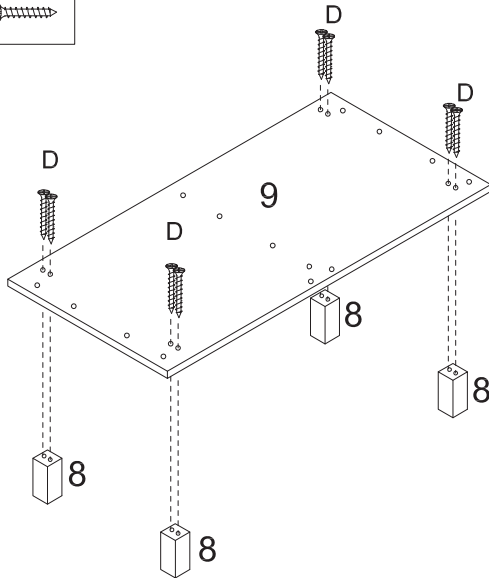
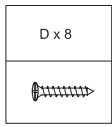


Step 5

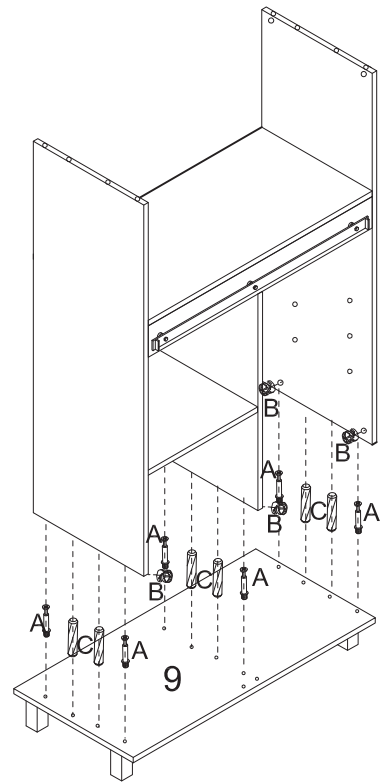
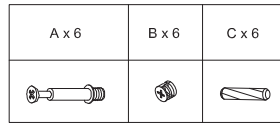
A x 2	B x 2	C x 4
		



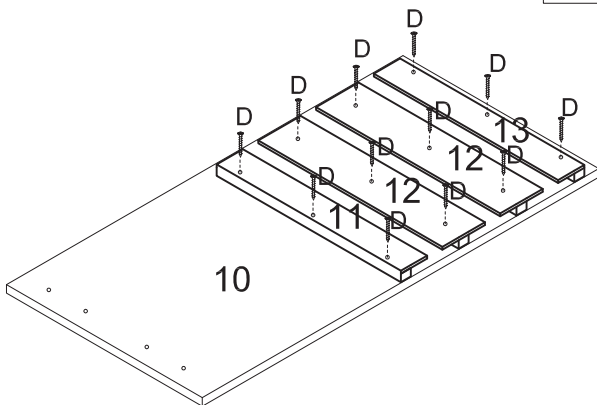
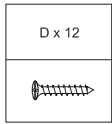
Step 6



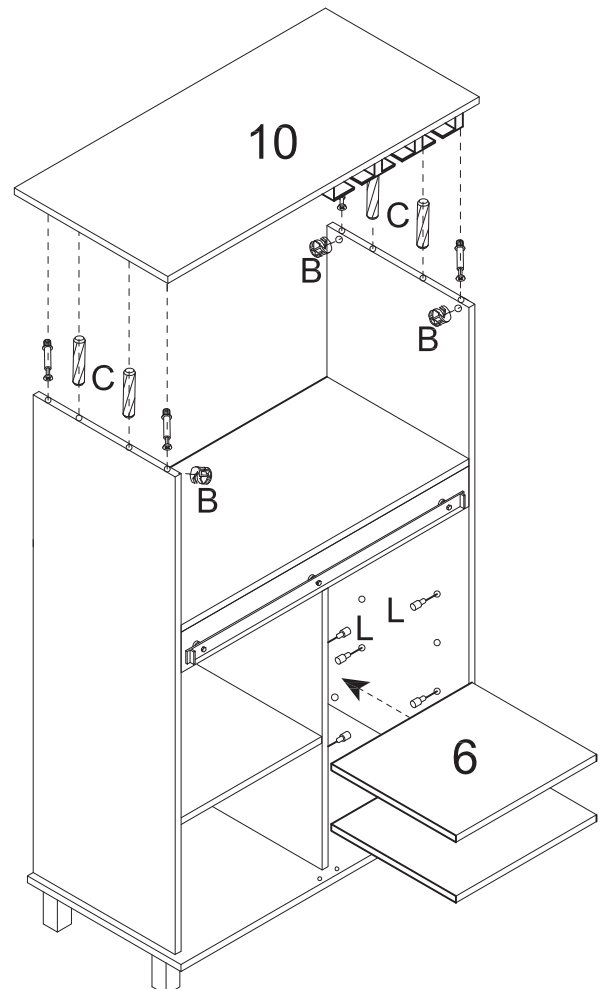
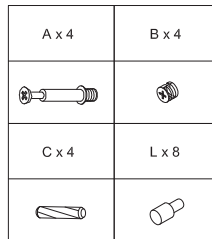
Step 7



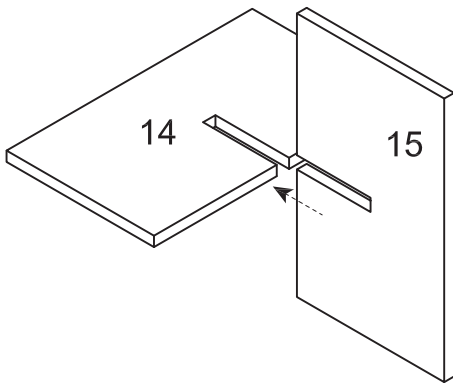
Step 8



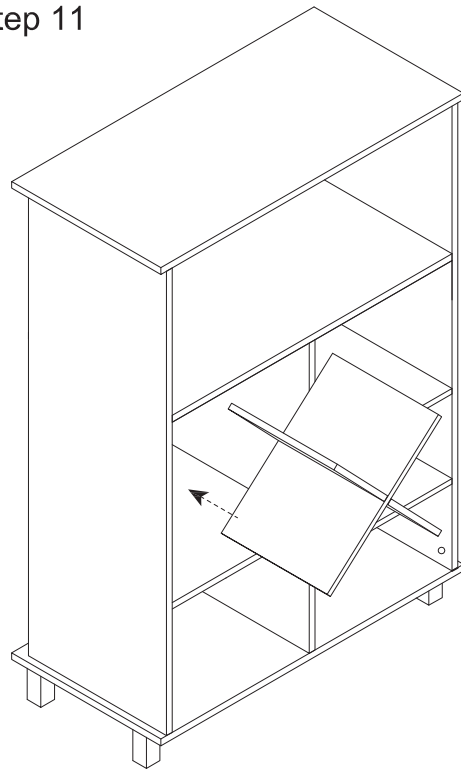
Step 9



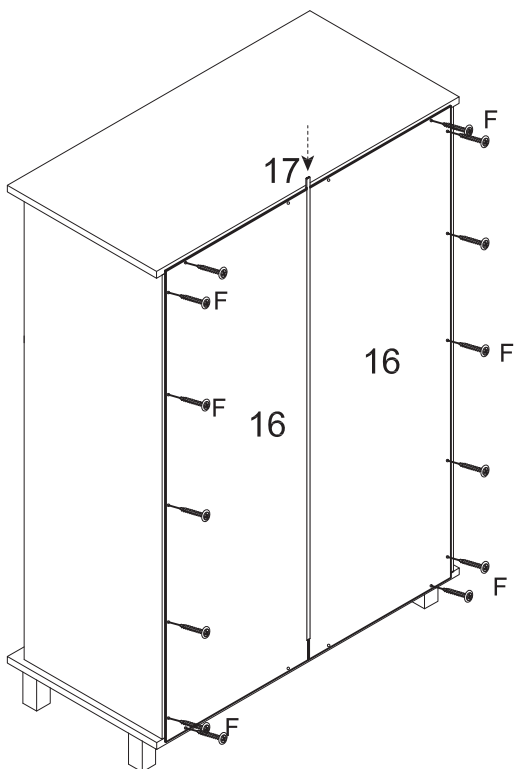
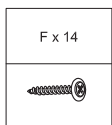
Step 10



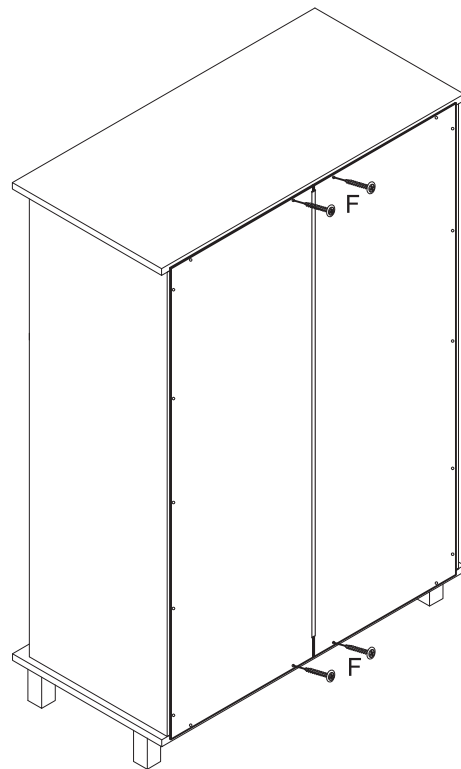
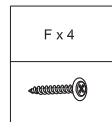
Step 11




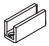
Step 12

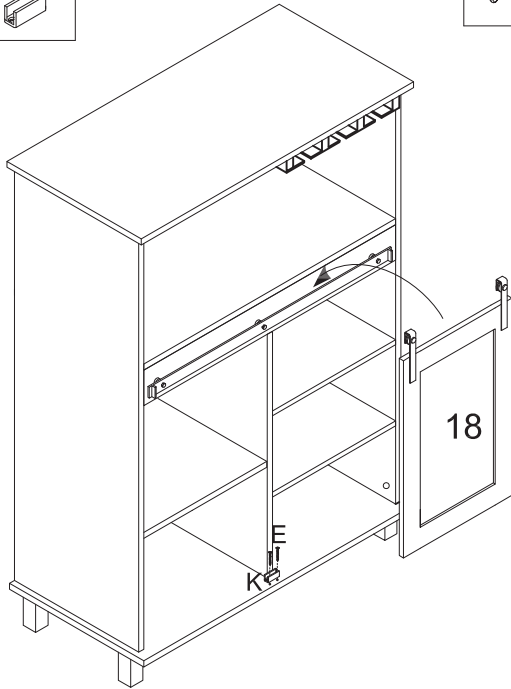


Step 13

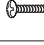




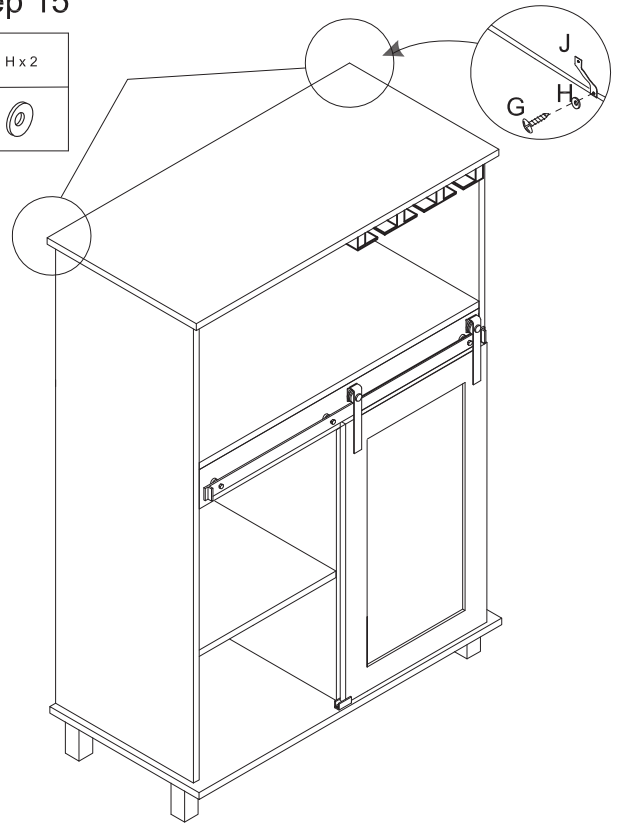
Step 14

E x 2	K x 1
	






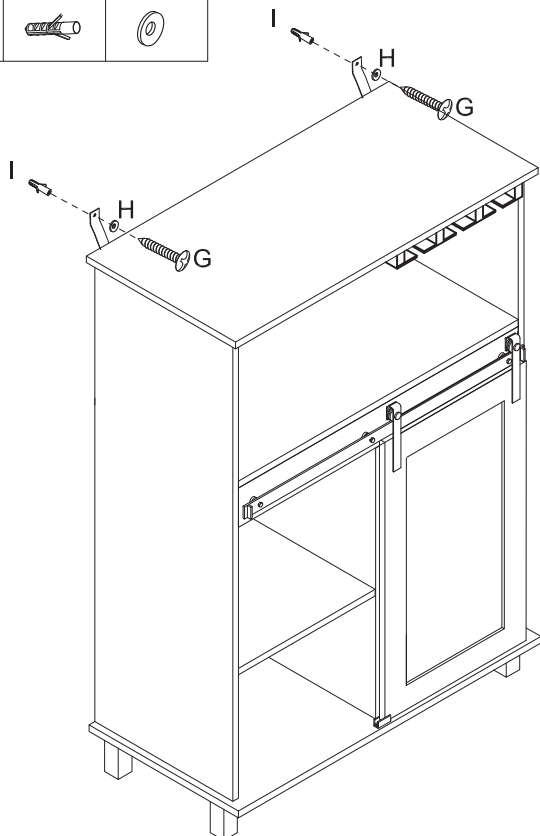
Step 15

G x 2	J x 2	H x 2
		



Step 16

G x 2	I x 2	H x 2
		



Step 15

