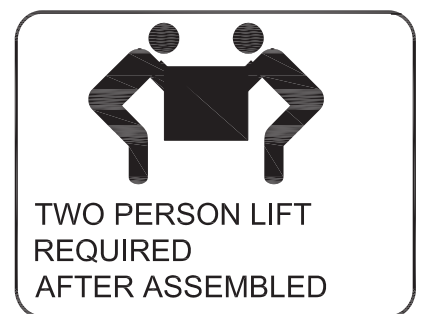
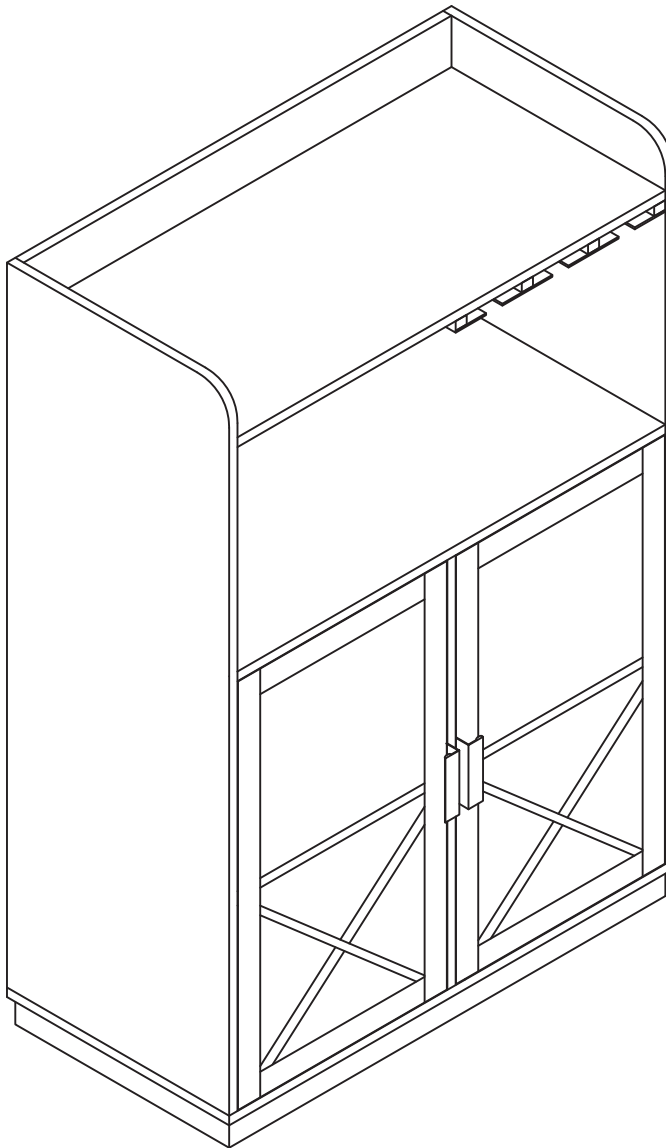


# Assembly Instruction

## Black Double Door Paint Wine Cabinet

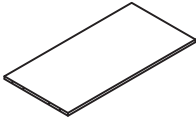


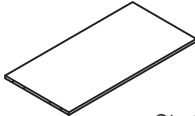






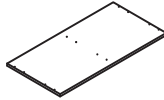




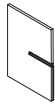
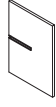
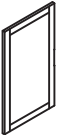




Carefully unpack and identify each component before beginning assembly. Before you begin, please refer to parts list to make sure that you have all parts. Please take care when assembling the unit and always place the parts on a clean, soft surface. If you require assistance with assembly or parts, please call 888-357-7263.

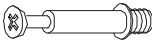

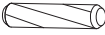



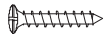



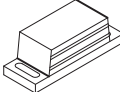
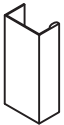
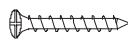
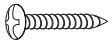
Get social with us and discover more about our products, tips and exclusive discounts!



PART	DESCRIPTION	QTY	PART	DESCRIPTION	QTY
1	MIDDLE PANEL	1	12	BOTTOM SIDE RAIL	3
2	PARTITION WALL	1	13	BOTTOM FRONT RAIL	1
3	LEFT PANEL	1	14	BACK PANEL	2
4	TOP PANEL	1	15	PLASTIC BAR	1
5	LEFT WINE GLASS HANGER	1	16	X WINE RACK	2
6	MIDDLE WINE GLASS HANGER	2	17	X WINE RACK	2
7	RIGHT WINE GLASS HANGER	1	18	LEFT DOOR	1
8	UPPER BACK RAIL	1	19	RIGHT DOOR	1
9	LEFT PANEL	1	20	RIGHT SHELF	1
10	RIGHT PANEL	1			
11	BOTTOM PANEL	1			

PARTS LIST					
<p>MIDDLE PANEL (1)</p>  <p>Qty:1</p>	<p>PARTITION WALL (2)</p>  <p>Qty:1</p>	<p>LEFT PANEL (3)</p>  <p>Qty:1</p>	<p>TOP PANEL (4)</p>  <p>Qty:1</p>	<p>LEFT WINE GLASS HANGER (5)</p>  <p>Qty:1</p>	<p>MIDDLE WINE GLASS HANGER (6)</p>  <p>Qty:2</p>
<p>RIGHT WINE GLASS HANGER (7)</p>  <p>Qty:1</p>	<p>UPPER BACK RAIL (8)</p>  <p>Qty:1</p>	<p>LEFT PANEL (9)</p>  <p>Qty:1</p>	<p>RIGHT PANEL (10)</p>  <p>Qty:1</p>	<p>BOTTOM PANEL (11)</p>  <p>Qty:1</p>	<p>BOTTOM SIDE RAIL (12)</p>  <p>Qty:3</p>
<p>BOTTOM FRONT RAIL (13)</p>  <p>Qty:1</p>	<p>BACK PANEL (14)</p>  <p>Qty:2</p>	<p>PLASTIC BAR (15)</p>  <p>Qty:1</p>	<p>X WINE RACK (16)</p>  <p>Qty:2</p>	<p>X WINE RACK (17)</p>  <p>Qty:2</p>	<p>LEFT DOOR (18)</p>  <p>Qty:1</p>
<p>RIGHT DOOR (19)</p>  <p>Qty:1</p>	<p>RIGHT SHELF (20)</p>  <p>Qty:1</p>				

**HARDWARE LIST**

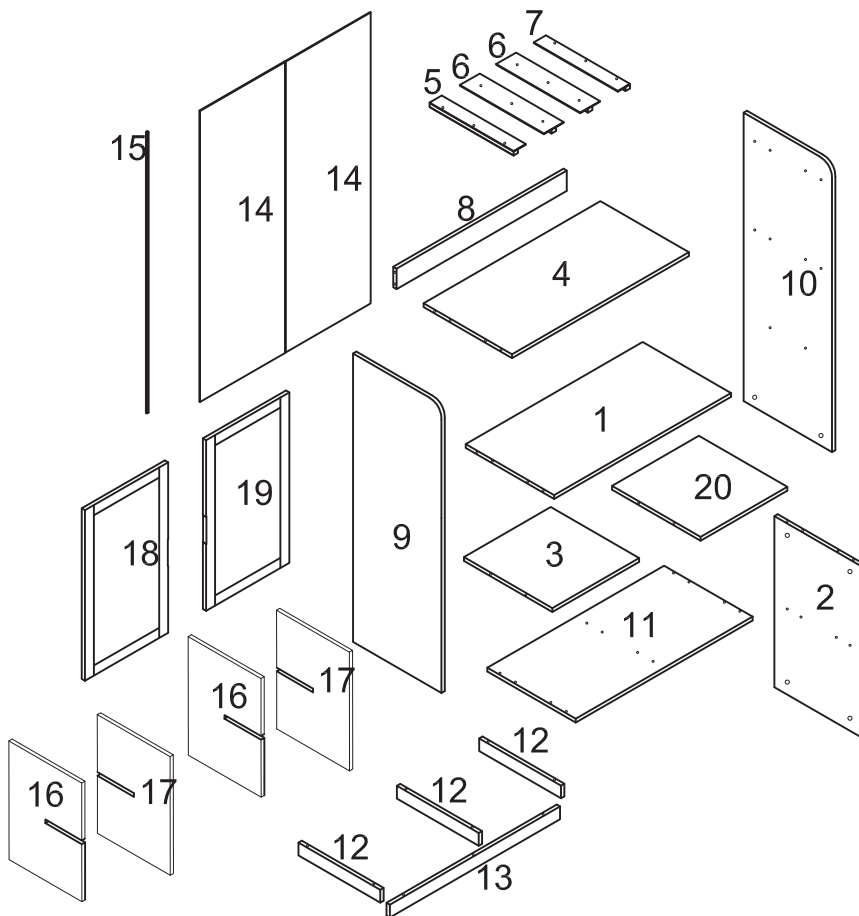
<p><b>CAM BOLT (A)</b></p>  <p>Qty:16</p>	<p><b>CAM LOCK (B)</b></p>  <p>15*12MM Qty:16</p>	<p><b>WOODEN DOWEL (C)</b></p>  <p>8*30MM Qty:38</p>	<p><b>SCREW (D)</b></p>  <p>4*30MM Qty:12</p>	<p><b>SCREW (E)</b></p>  <p>L5*3*12MM Qty:12</p>	<p><b>SCREW (F)</b></p>  <p>3*12MM Qty:16</p>
<p><b>SCREW (G)</b></p>  <p>4*25MM Qty:4</p>	<p><b>WASHER (H)</b></p>  <p>Qty:4</p>	<p><b>ANCHOR (I)</b></p>  <p>Qty:2</p>	<p><b>FIX BELT (J)</b></p>  <p>Qty:2</p>	<p><b>MAGNET (K)</b></p>  <p>Qty:2</p>	<p><b>HANDLE (L)</b></p>  <p>Qty:2</p>
<p><b>SCREW (M)</b></p>  <p>4*35MM Qty:9</p>	<p><b>SCREW (N)</b></p>  <p>L6*3*12MM Qty:4</p>				

**PRE-ASSEMBLY PREPARATION**



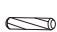
**WARNING: MAXIMUM LOAD NOT EXCEED 10LBS ON SHELVES.**

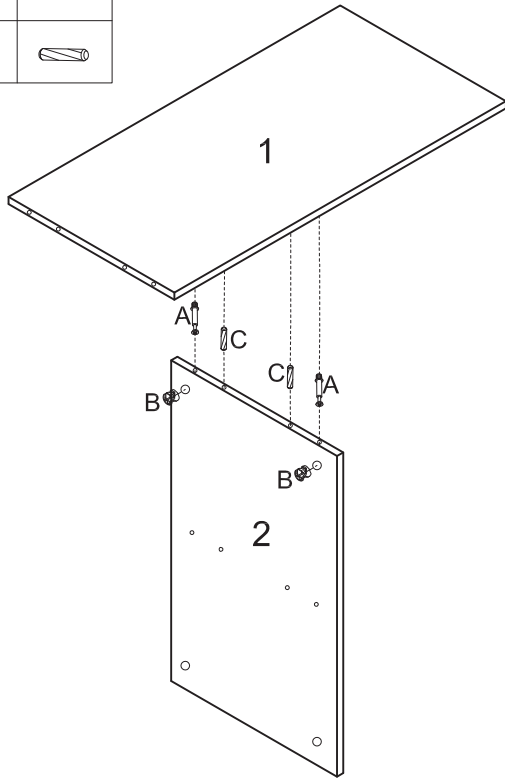
- **CAUTION:**Assembly will require at least 2 adults.  
DO NOT use power tools. To prevent serious injury or death, this product is equipped with a wall anchoring system. Before this product can be used, the wall anchoring system must be installed as directed in the assembly instructions.
- **CARE AND CLEANING:**DO NOT scratch or chip the finish. DO NOT use abrasive chemicals for cleaning. Clean with mild soap on a soft rag. Rinse and dry thoroughly.
- **MAINTENANCE:**Check bolts/screws periodically and tighten if necessary.
- **WARNING:**DO NOT USE if this product become damaged, and/or components are broken or missing.
- **REMINDER:**Please DO NOT fully tighten all bolts until metal frame assembly is complete.

**Explosive View**

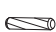


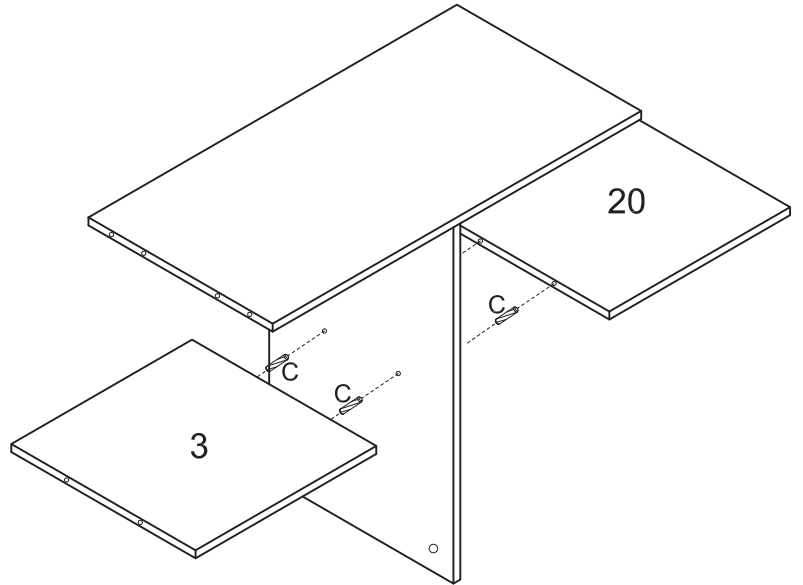
Step 1

A x 2	B x 2	C x 2
		




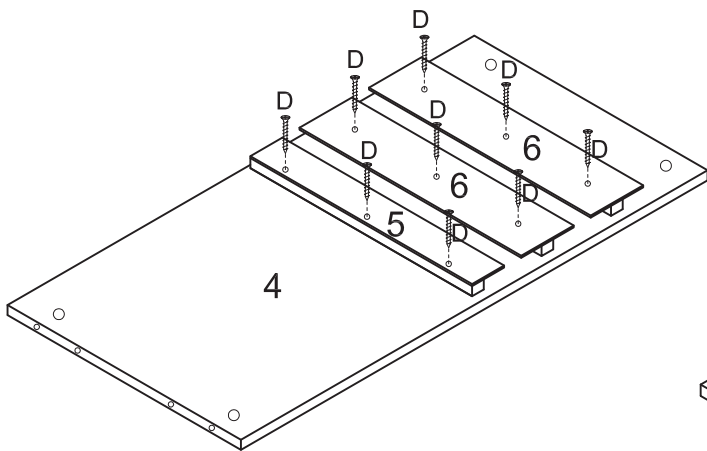
Step 2

C x 4



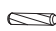


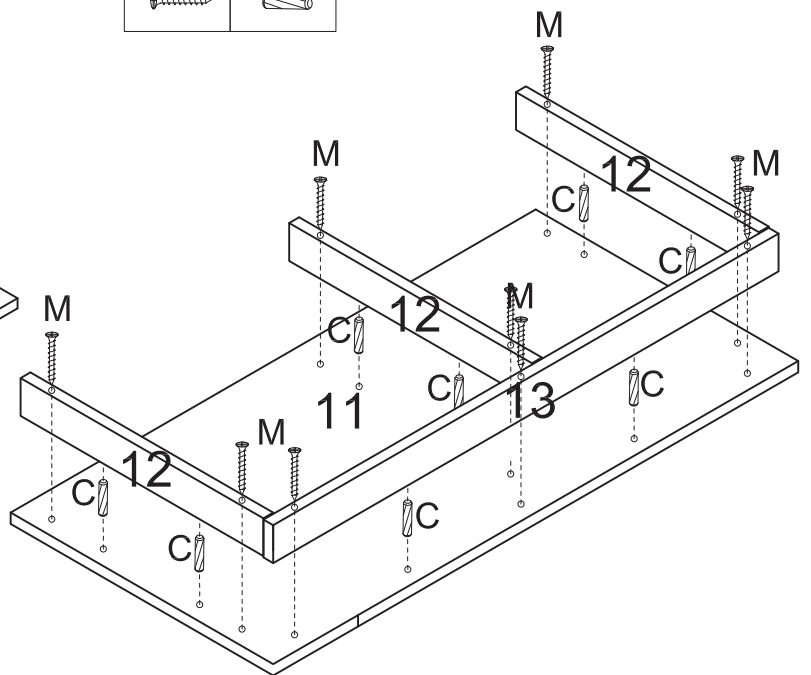
Step 3

D x 9







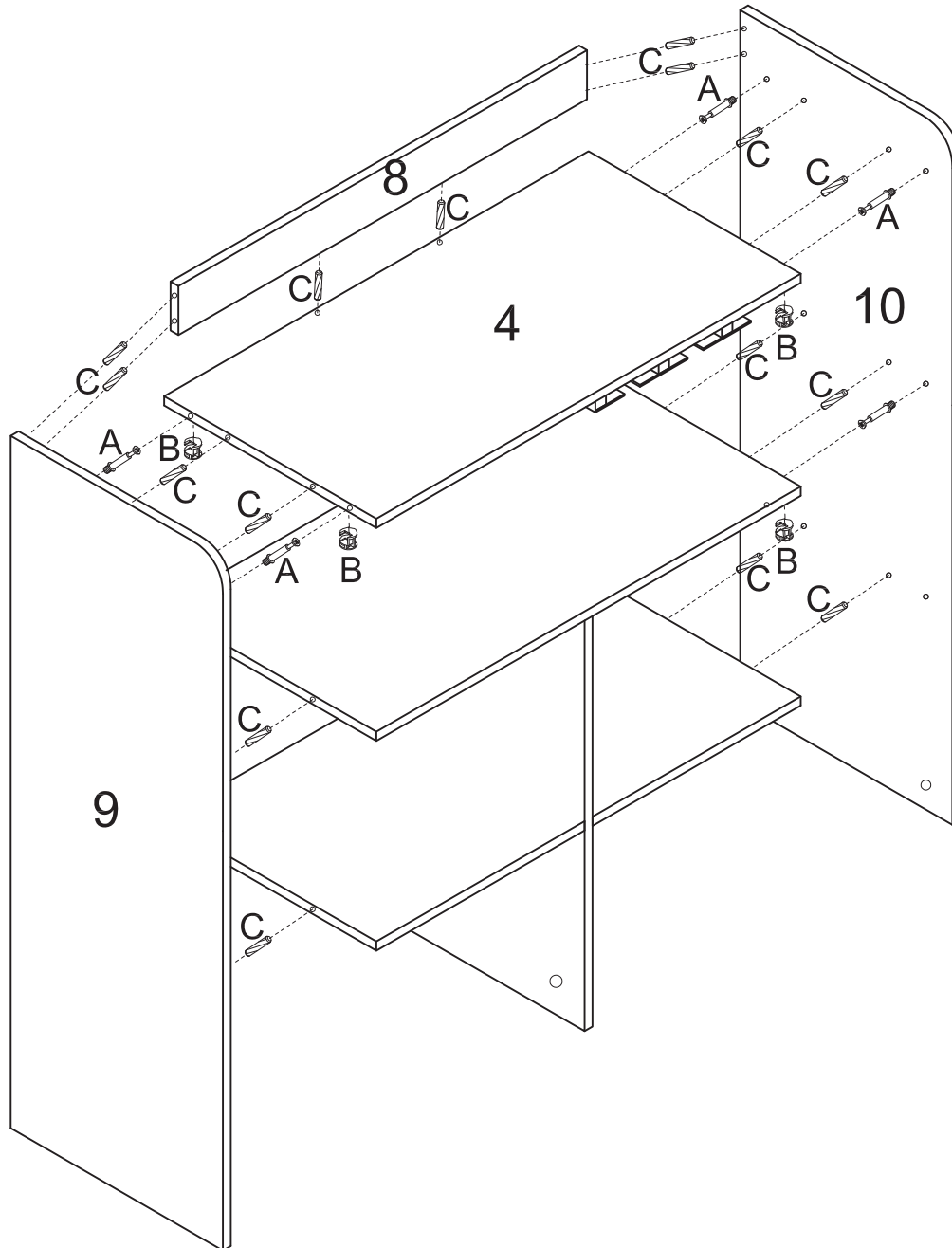
Step 5

M x 9	C x 8
	

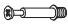




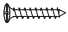


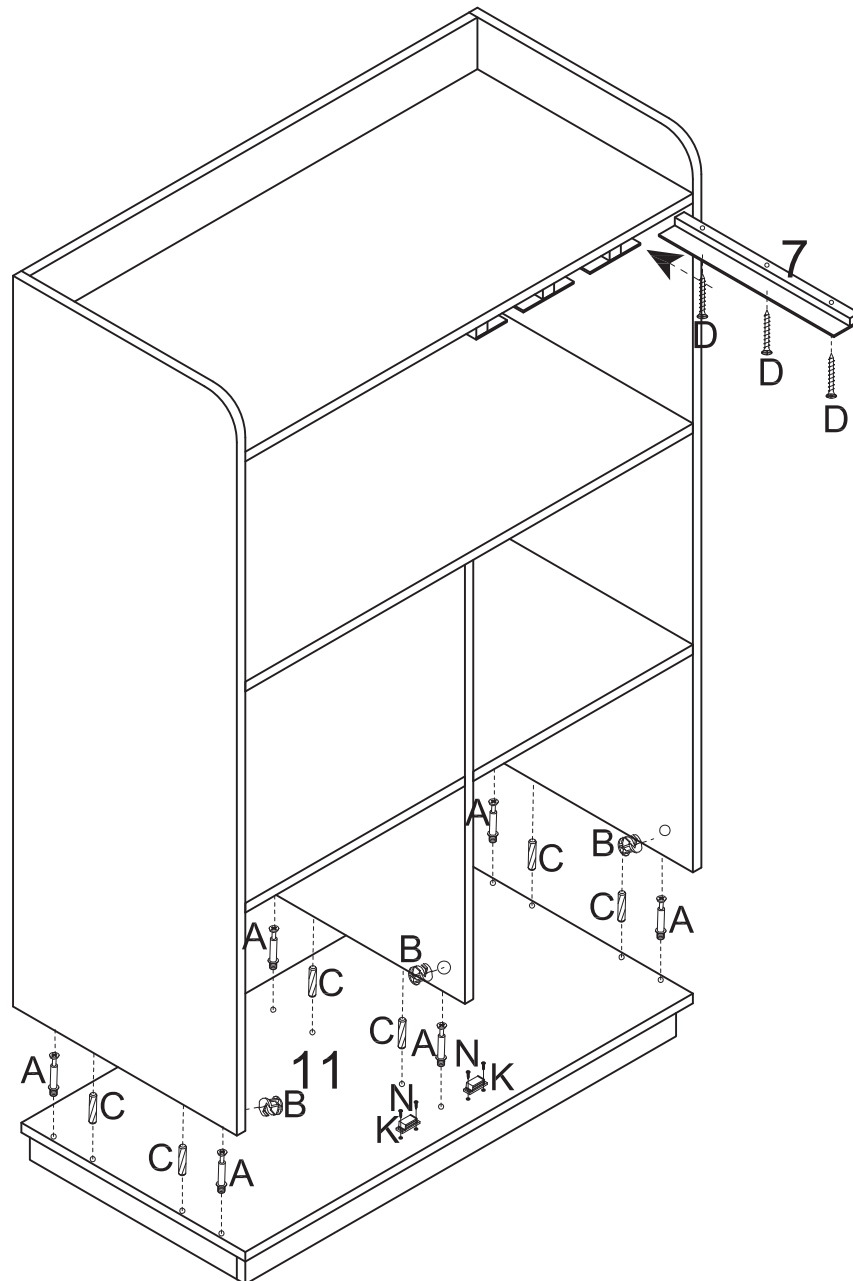
Step 4

A x 8	B x 8	C x 18
		

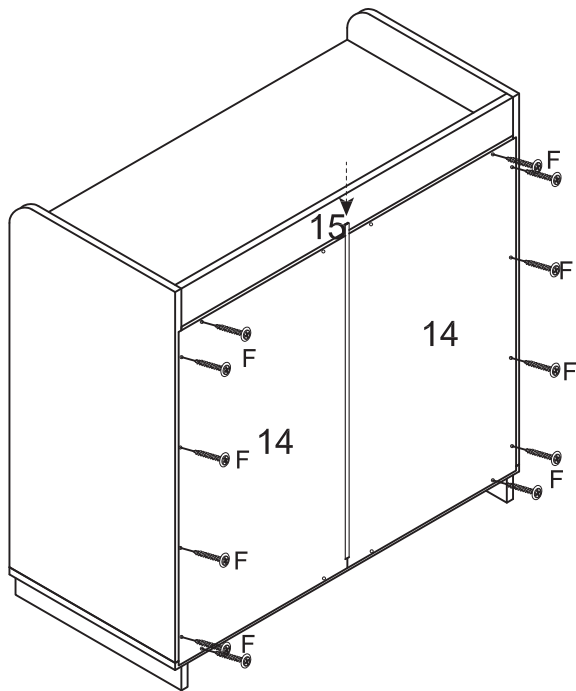
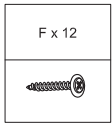


Step 6

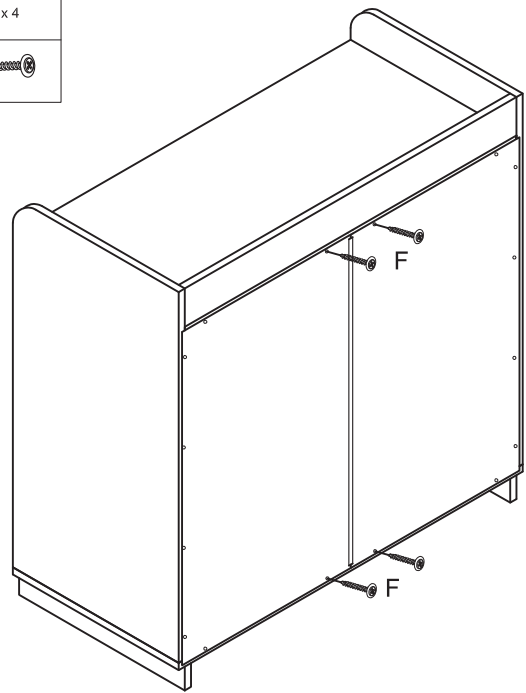
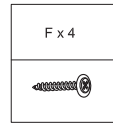
A x 6	B x 6	C x 6
		
K x 2	N x 4	D x 3
		



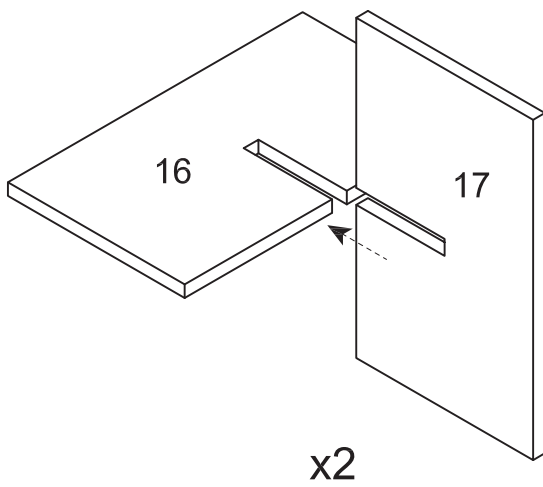
Step 7



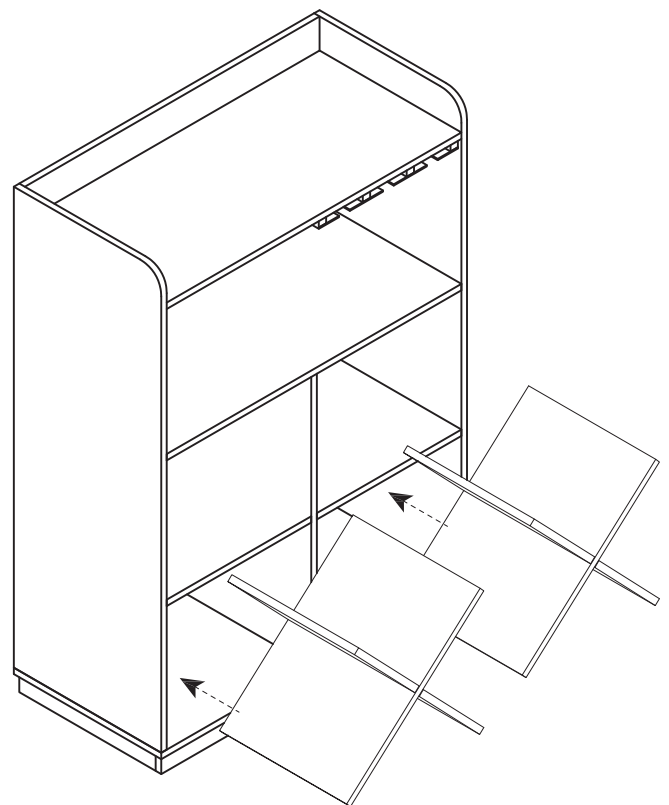
Step 8



Step 9





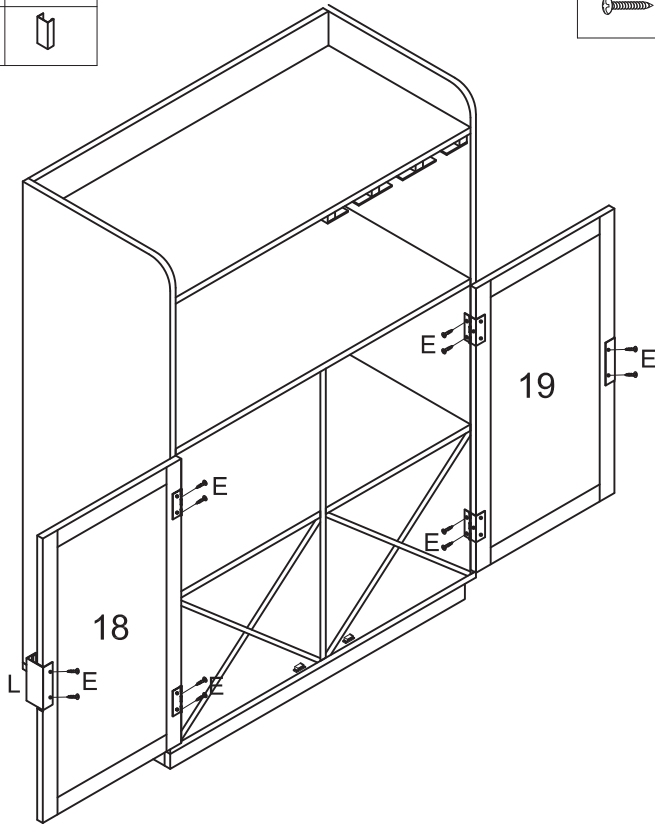
Step 10








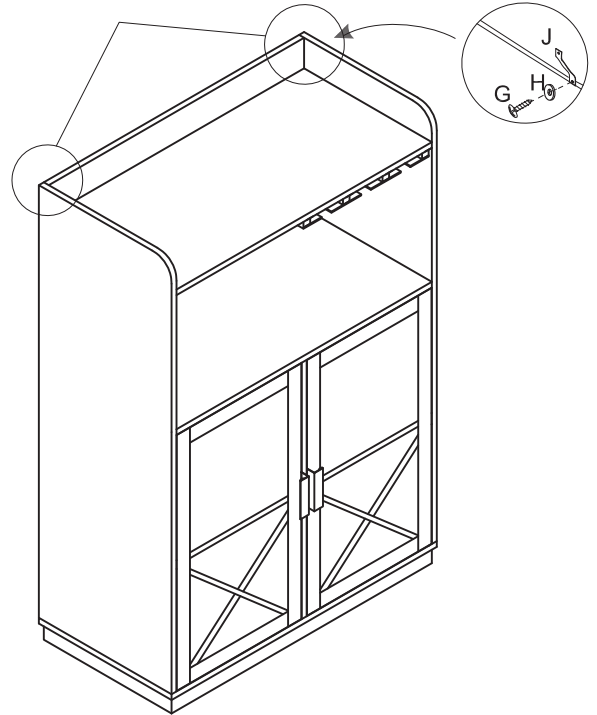
Step 11

E x 12	L x 2
	



Step 12

G x 2	J x 2	H x 2
		



Step 13

G x 2	I x 2	H x 2
