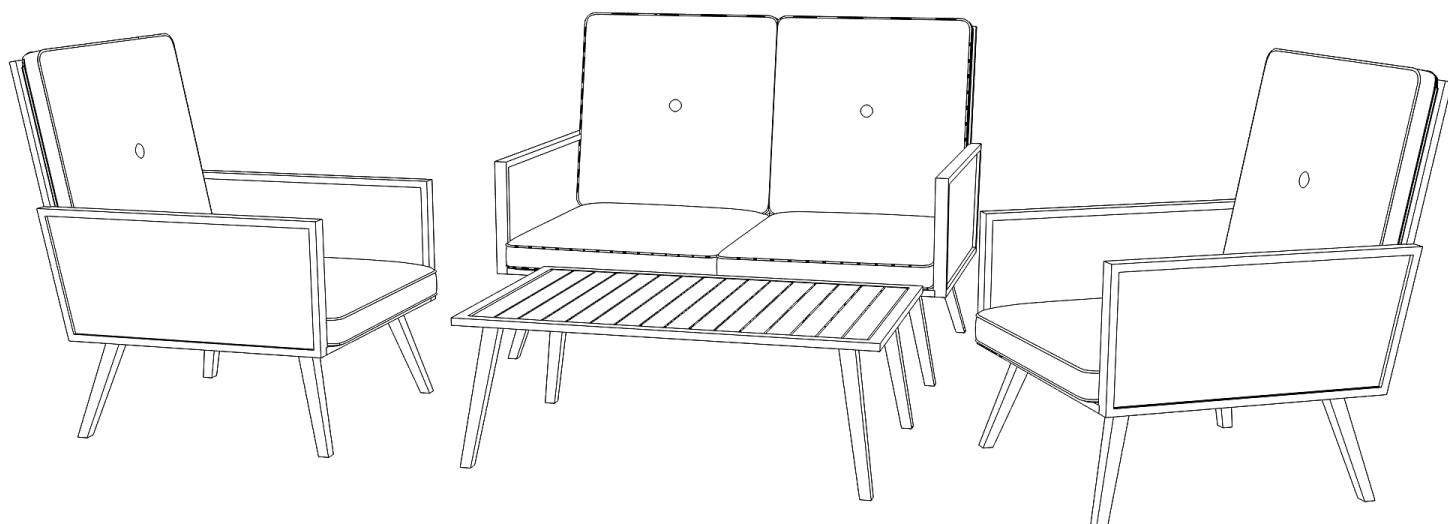


Assembly Instruction

4 PIECE PATIO SOFA SET



Carefully unpack and identify each component before beginning assembly. Before you begin, please refer to parts list to make sure that you have all parts. Please take care when assembling the unit and always place the parts on a clean, soft surface. If you require assistance with assembly or parts, please call 888-357-7263.

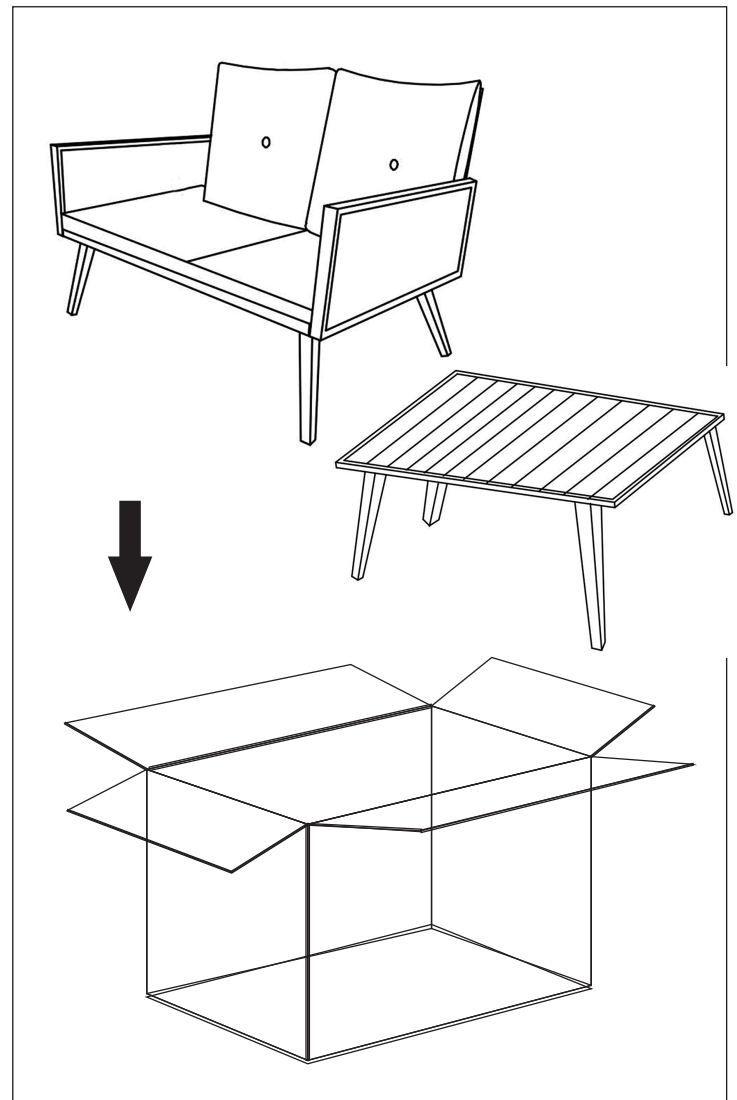
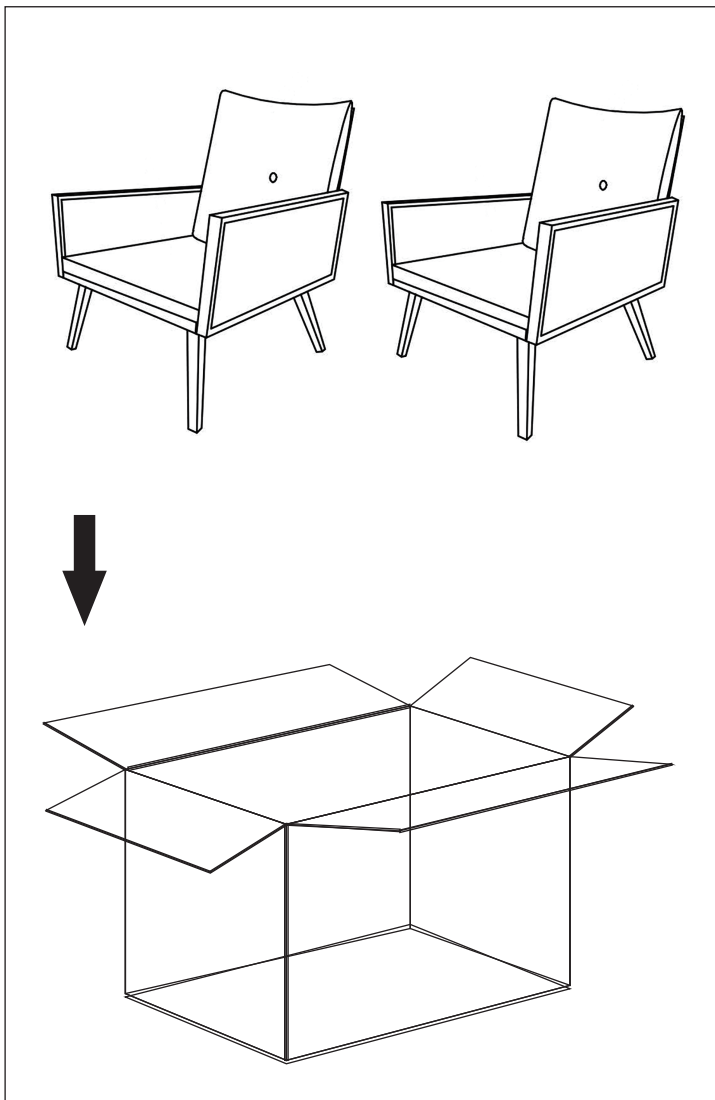
Get social with us and discover more about our products, tips and exclusive discounts!




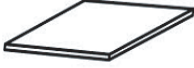
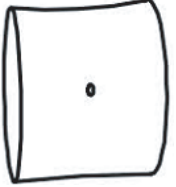





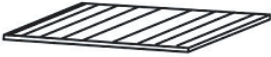

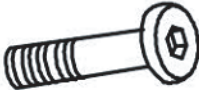
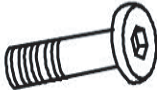
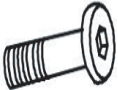





PRE-ASSEMBLY PREPARATION

WARNING! DO NOT LET CHILDREN PLAY IN OR AROUND THE UNIT DUE TO THE POSSIBLE RISK OF FINGER ENTRAPMENT

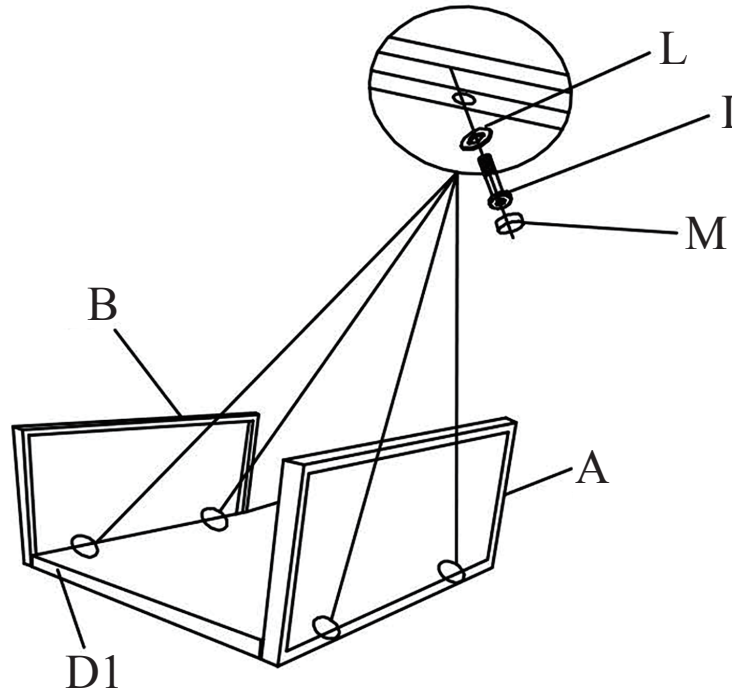
- Please read through this instruction before beginning assembly.
- Two adults assembly is recommended.
- Clear out the space for assembly and lay out all parts base on parts List, extra room will allow you to easily determine if all the pieces are present.
- Save all packing materials until assembly is complete to avoid accidentally discarding smaller parts or hardware.
- Keep small parts and pieces away from children until fully assembly.
- **Do not fully tighten the bolts until all have been inserted and hand tightened.**
- Please check for any loose screws and tighten them before use.
- **This whole set including 4 Piece is packed in two boxes. 2pc single sofa is in a box and 1pc loveseat sofa + 1pc table in the other box. All hardware list is in the box with single sofa.** If there is any questions, please contact us first, we will quickly solve any doubt for you.



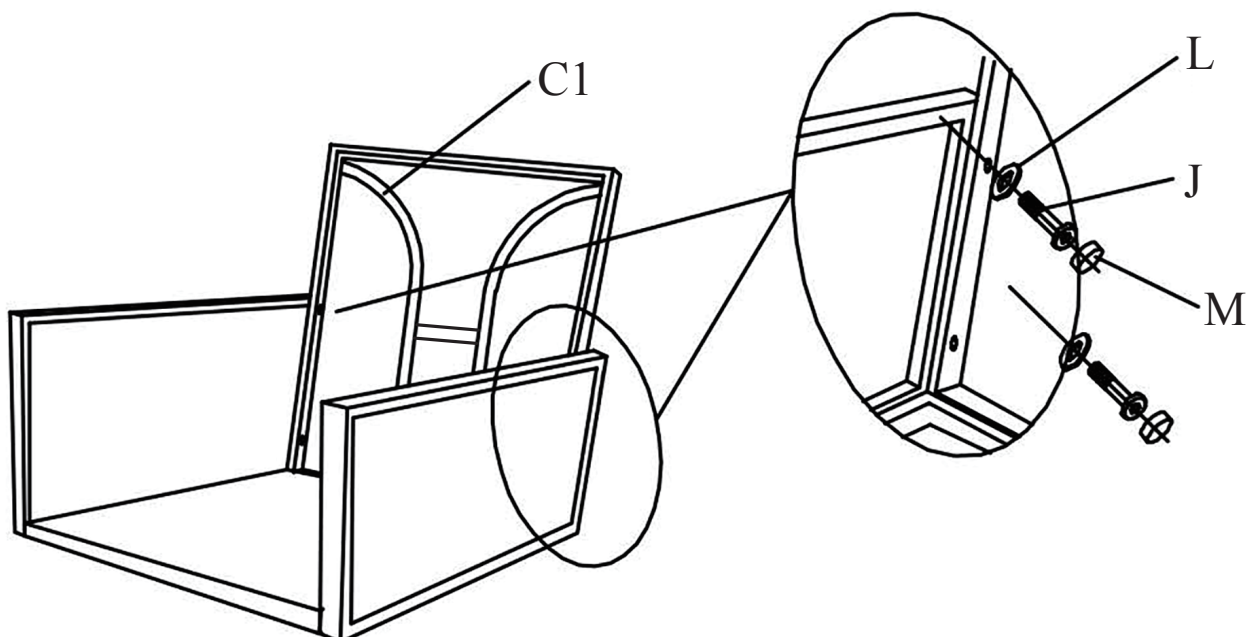
PANEL AND FITTINGS IDENTIFICATION				
<p>Left Arm Panel A</p>  <p>Qty: 3</p>	<p>Right Arm Panel B</p>  <p>Qty: 3</p>	<p>Back Panel C1</p>  <p>Qty: 2</p>	<p>Single Seat Panel D1</p>  <p>Qty: 2</p>	<p>Back Cushion O</p>  <p>Qty: 4</p>
<p>Front Leg E</p>  <p>Qty: 6</p>	<p>Rear Leg F</p>  <p>Qty: 6</p>	<p>Back Panel C2</p>  <p>Qty: 1</p>	<p>Loveseat Panel D2</p>  <p>Qty: 1</p>	<p>Seat Cushion P</p>  <p>Qty: 4</p>
<p>Table Top G</p>  <p>Qty: 1</p>	<p>Table Leg H</p>  <p>Qty: 4</p>			
HARDWARE LIST				
<p>Bolt (I) M6 X 35mm</p>  <p>Qty: 14</p>	<p>Bolt (J) M6 X 30mm</p>  <p>Qty: 12</p>	<p>Bolt (K) M6 X 15mm</p>  <p>Qty: 48</p>	<p>Washer (L)</p>  <p>Qty: 74</p>	<p>Plastic Cap (M)</p>  <p>Qty: 74</p>
<p>Wrench (N)</p>  <p>Qty: 1</p>				

**NOTE: From step 1 to step 4 is for single sofa assembly.
Please find panel A, B, C1, D1 and E, F firstly.**

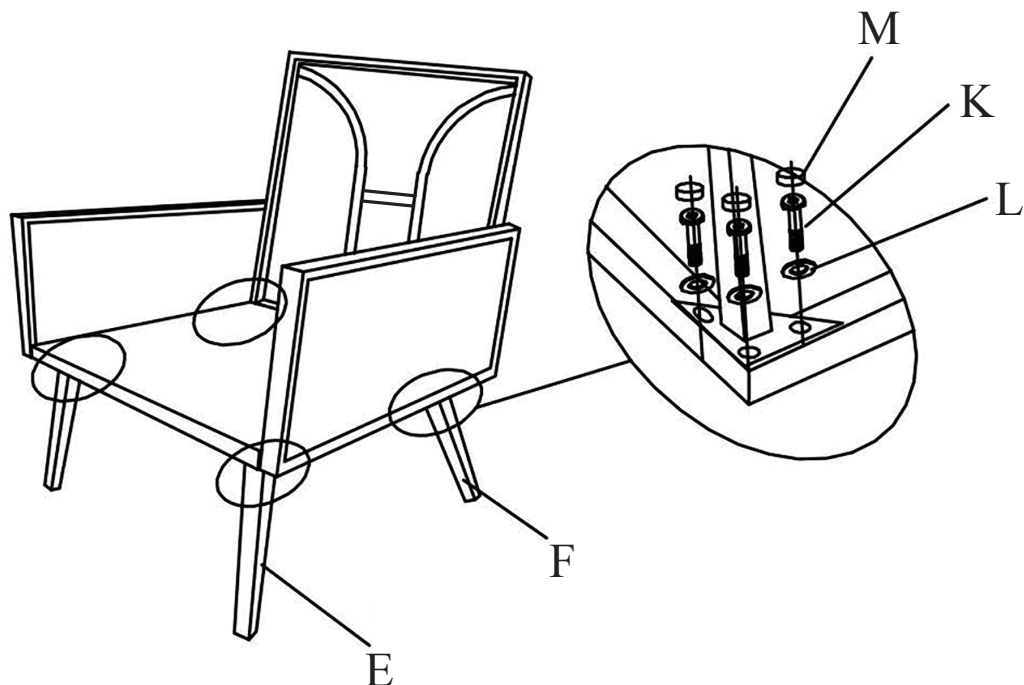
- Step 1** Attach Left Armrest Panel (A) and Right Armrest Panel (B) to Single Seat Panel D1 by using 4 long Bolts (I) and 4 Washers (L).
Finally put Bolt Caps (M) until all parts have been connected and bolts are tightened.



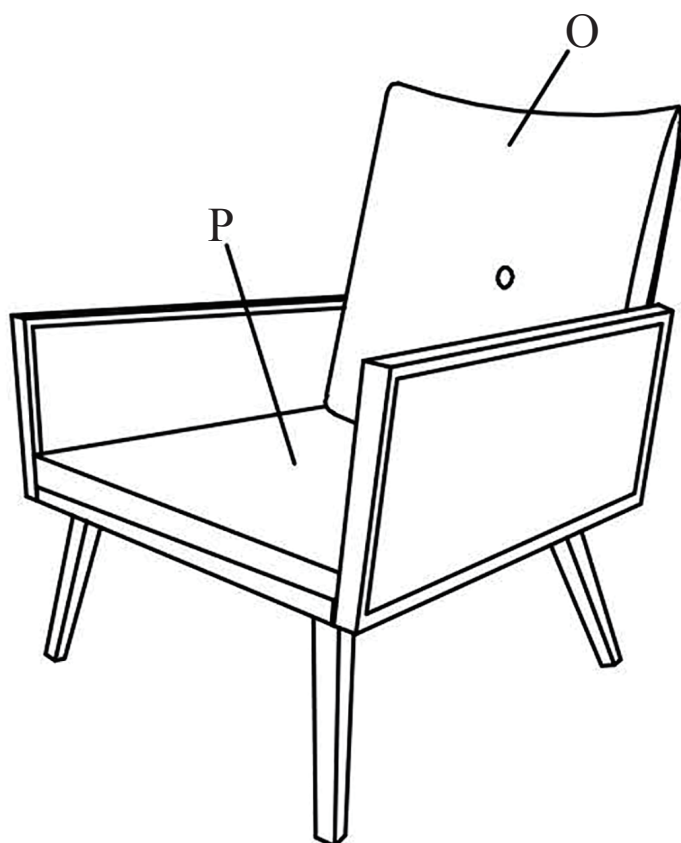
- Step 2** Attach Back Panel (C1) to Armrest panels on both side by using 4 medium Bolts (J) and 4 Washers (L).
Finally put Bolt Caps (M) until all parts have been connected and bolts are tightened.



Step 3 Attach Front Leg (E) and Rear Leg (F) to seat frame by using 12 short Bolts (K) and 12 Washers (L). Finally put Bolt Caps (M) until all parts have been connected and bolts are tightened.

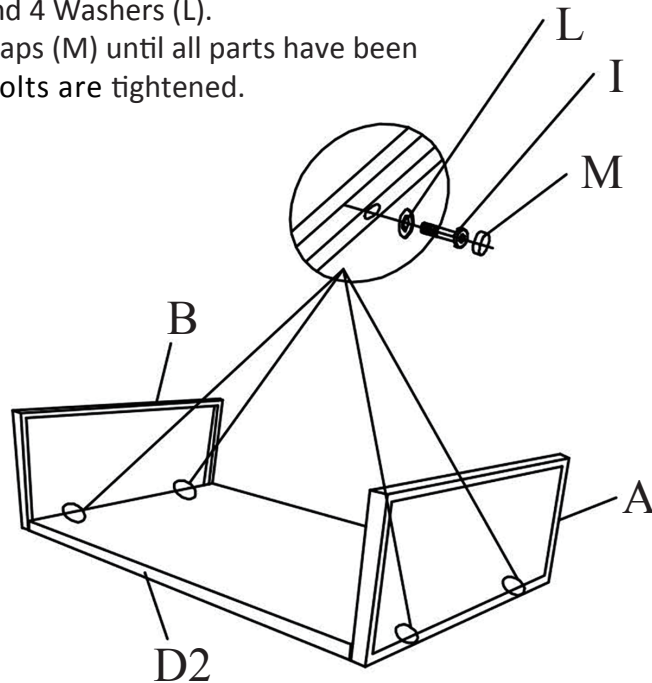


Step 4 Put on Seat Cushion (P) and Back Cushion (O) to finish assembly of single sofa.

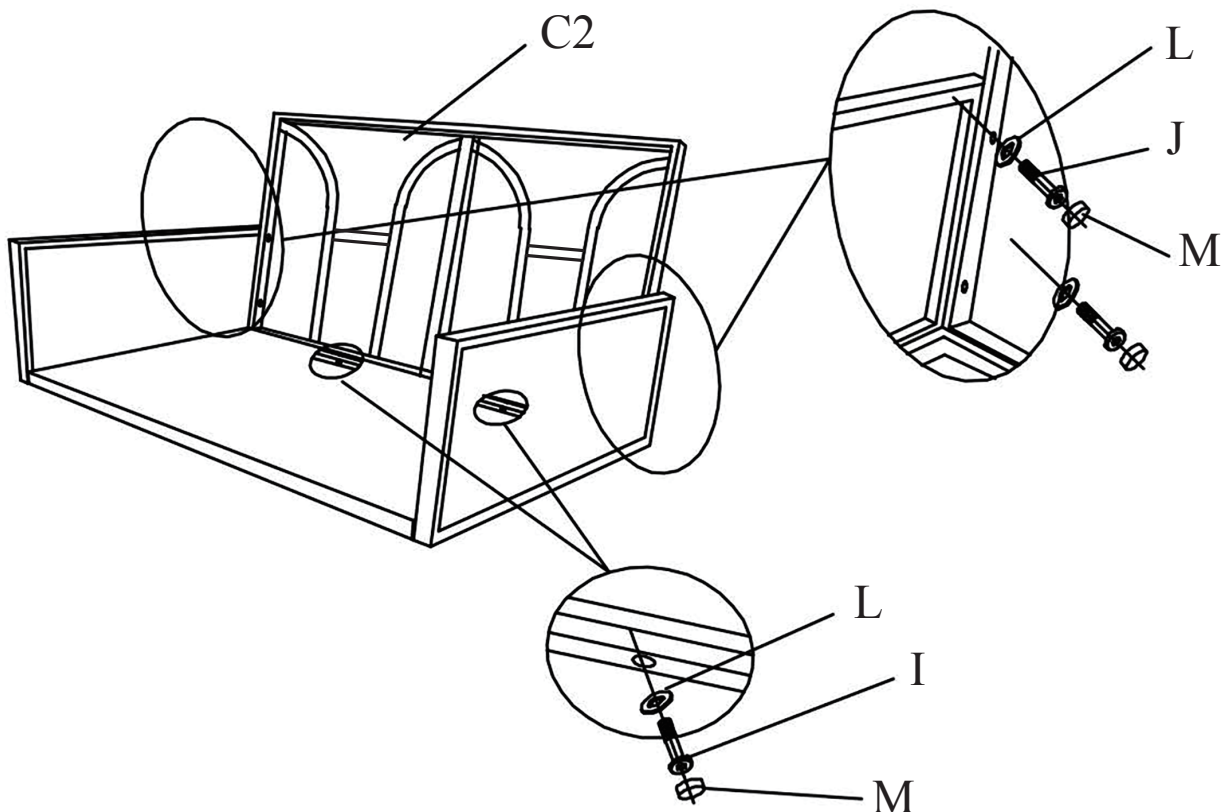


**NOTE: From step 5 to step 8 is for loveseat sofa assembly.
Please find panel A, B, C2, D2 and E, F firstly.**

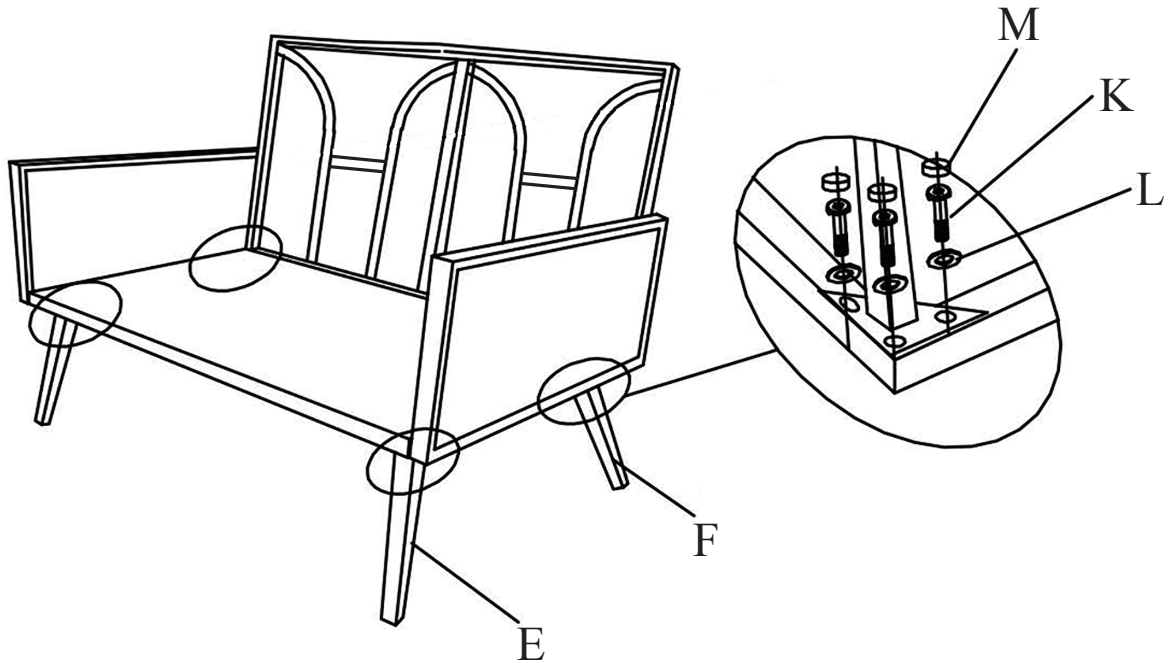
Step 5 Attach Left Armrest Panel (A) and Right Armrest Panel (B) to Loveseat Panel D2 by using 4 long Bolts (I) and 4 Washers (L).
Finally put Bolt Caps (M) until all parts have been connected and bolts are tightened.



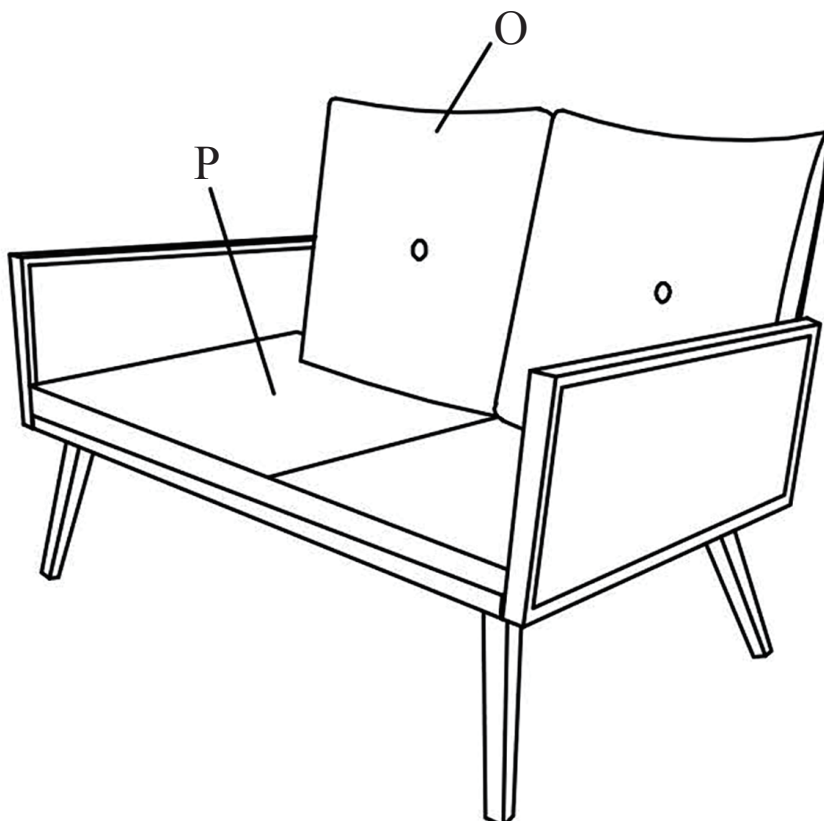
Step 6 Attach Back Panel (C2) to Armrest panels on both side by using 4 medium Bolts (J) and 4 Washers (L), then fix it to seat panel by using 2 long Bolts (I) and 2 Washers (L).
Finally put Bolt Caps (M) until all parts have been connected and bolts are tightened.



Step 7 Attach Front Leg (E) and Rear Leg (F) to seat frame by using 12 short Bolts (K) and 12 Washers (L). Finally put Bolt Caps (M) until all parts have been connected and bolts are tightened.

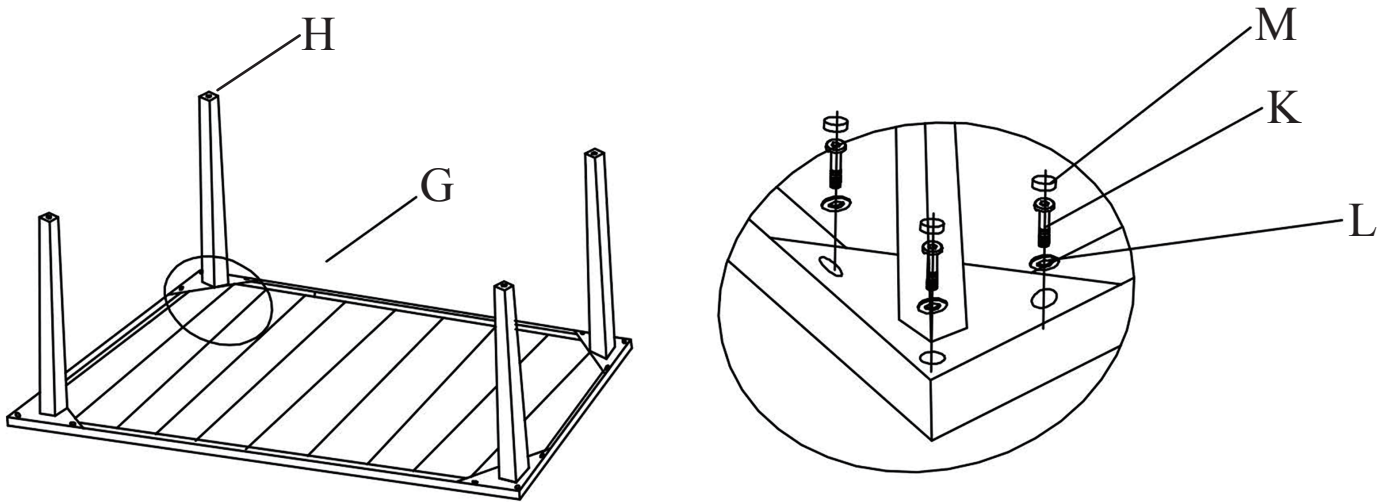


Step 8 Put on Seat Cushion (P) and Back Cushion (O) to finish assembly of loveseat sofa.



NOTE: Step 9 is for table assembly. Please find panel H and G firstly.

Step 9 Attach Legs (H) to Table Top (G) by using 12 short Bolts (K) and 12 Washers (L).
Finally put Bolt Caps (M) until all parts have been connected and bolts are tightened.



Step 11 Finished view for sofa set.
Please make sure all bolts are properly tightened before use.

