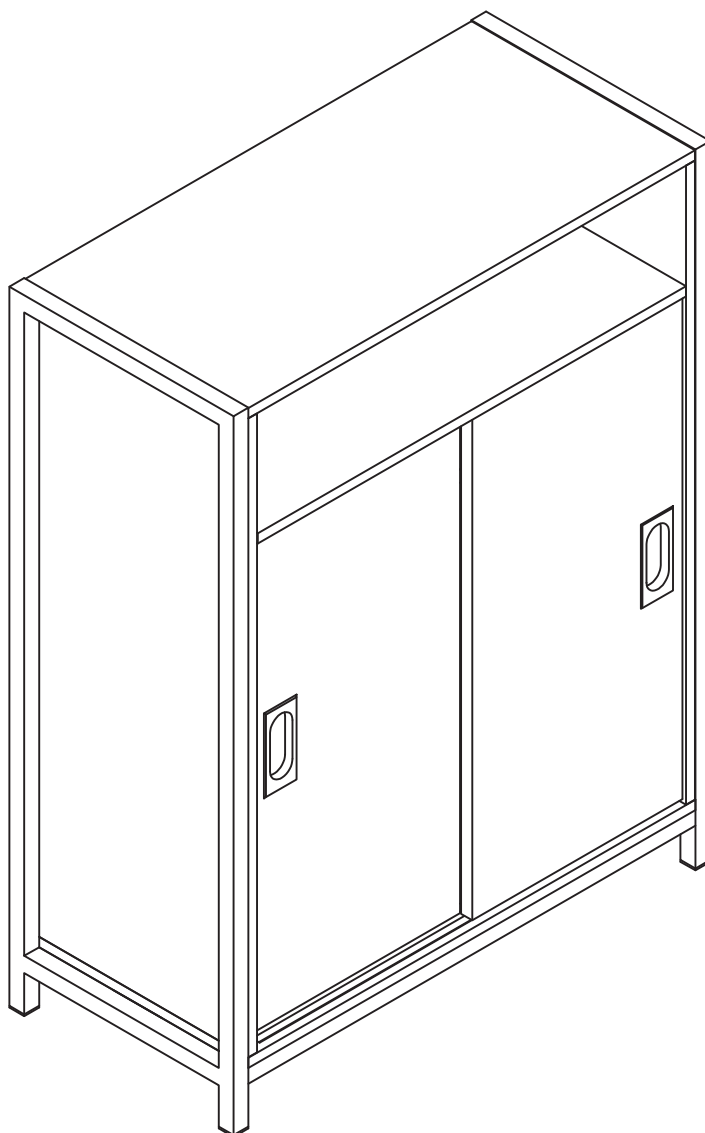


# Assembly Instruction

## TWO DOOR WOOD CABINET



Carefully unpack and identify each component before beginning assembly. Before you begin, please refer to parts list to make sure that you have all parts. Please take care when assembling the unit and always place the parts on a clean, soft surface.

Get social with us and discover more about our products, tips and exclusive discounts!

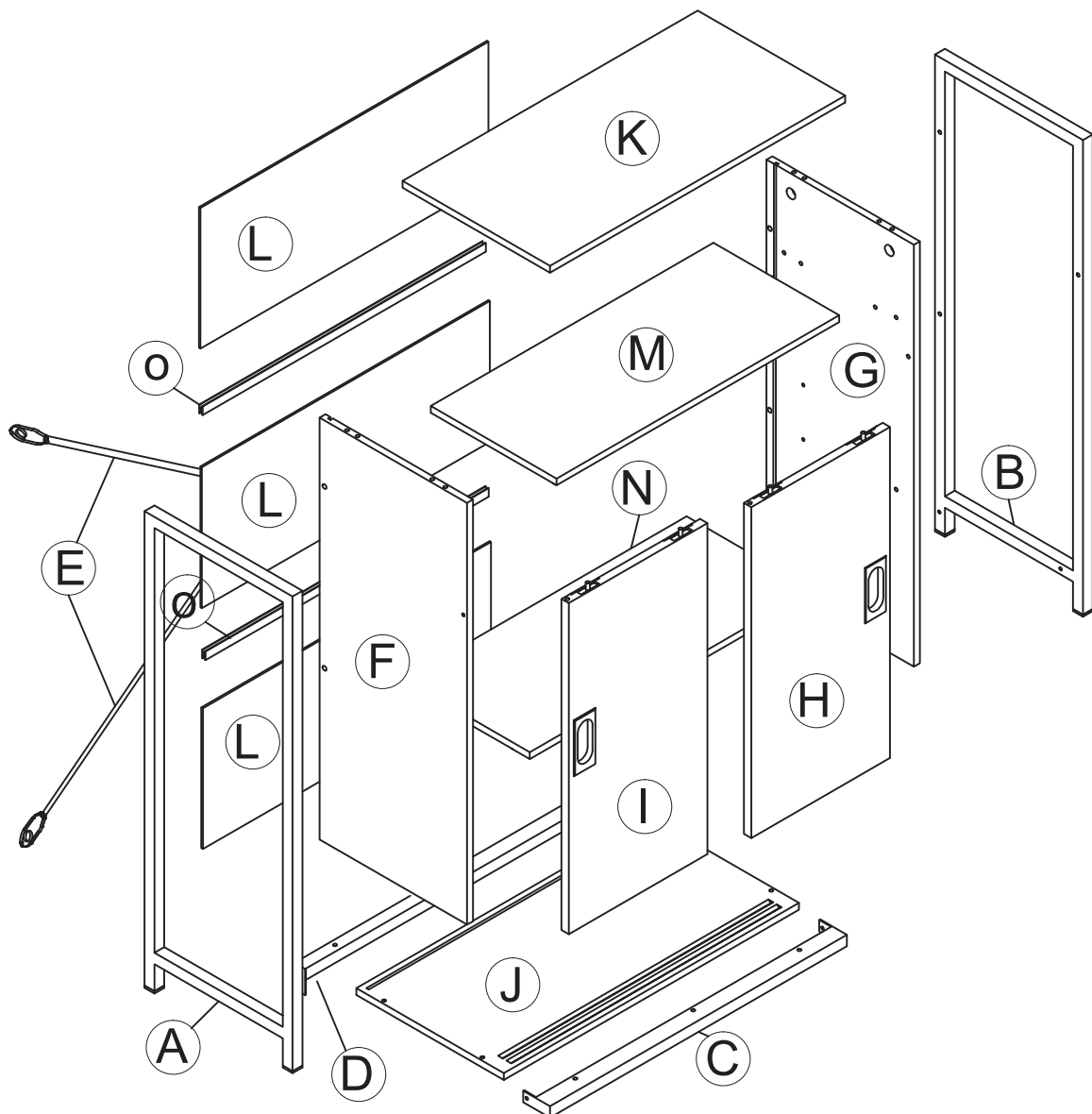


## PRE-ASSEMBLY PREPARATION

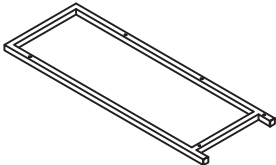
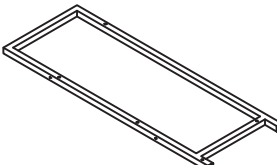
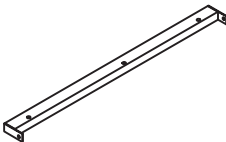
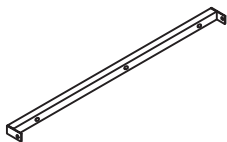
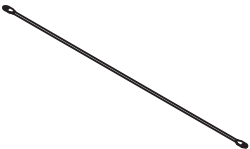
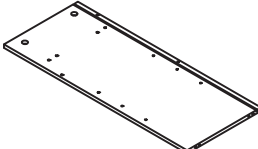
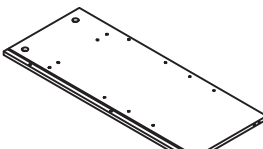
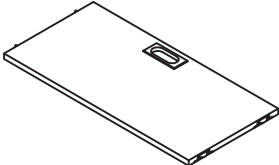
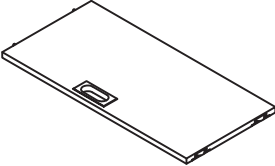
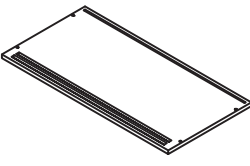
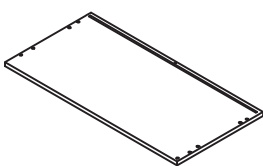
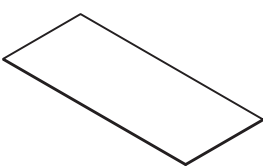
**WARNING: MAXIMUM LOAD NOT EXCEED 10LBS ON SHELVES.**

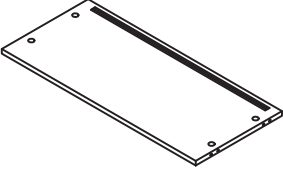
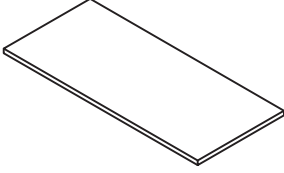

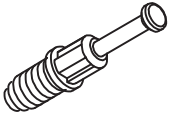

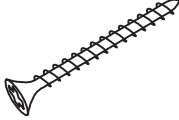
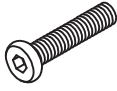
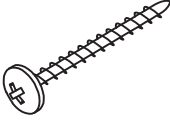

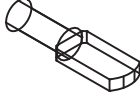
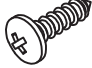

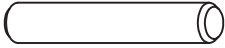



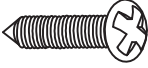


- **CAUTION:** Assembly will require at least 2 adults.  
DO NOT use power tools. To prevent serious injury or death, this product is equipped with a wall anchoring system. Before this product can be used, the wall anchoring system must be installed as directed in the assembly instructions.
- **CARE AND CLEANING:** DO NOT scratch or chip the finish. DO NOT use abrasive chemicals for cleaning. Clean with mild soap on a soft rag. Rinse and dry thoroughly.
- **MAINTENANCE:** Check bolts/screws periodically and tighten if necessary.
- **WARNING:** DO NOT USE if this product become damaged, and/or components are broken or missing.
- **REMINDER:** Please DO NOT fully tighten all bolts until metal frame assembly is complete.



## Explosive View



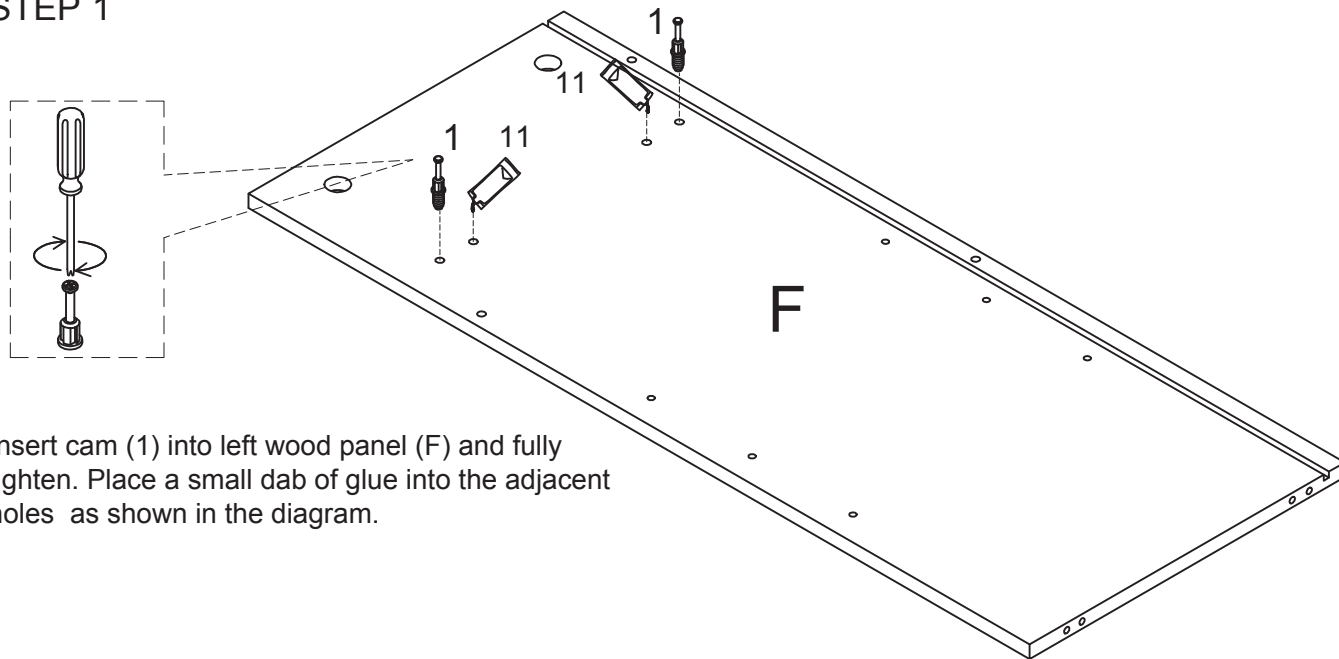
PART	DESCRIPTION	QTY	PART	DESCRIPTION	QTY
A	LEFT FRAME	1	I	LEFT DOOR	1
B	RIGHT FRAME	1	J	BOTTOM PANEL	1
C	FRONT BOTTOM SUPPORT BAR	1	K	TOP PANEL	1
D	BACK BOTTOM SUPPORT BAR	1	L	BACK PANEL	3
E	BACK CROSS BAR	2	M	TOP FIXED SHELF PANEL	1
F	LEFT SIDE PANEL	1	N	MIDDLE MOBILE SHELF PANEL	1
G	RIGHT SIDE PANEL	1	O	BACK PLASTIC STRIP	2
H	RIGHT DOOR	1			

PARTS LIST			
<p>LEFT FRAME (A)</p>  <p>Qty: 1</p>	<p>RIGHT FRAME (B)</p>  <p>Qty: 1</p>	<p>FRONT BOTTOM SUPPORT BAR (C)</p>  <p>Qty: 1</p>	<p>BACK BOTTOM SUPPORT BAR (D)</p>  <p>Qty: 1</p>
<p>BACK CROSS BAR (E)</p>  <p>Qty: 2</p>	<p>LEFT WOOD PANEL (F)</p>  <p>Qty: 1</p>	<p>RIGHT WOOD PANEL (G)</p>  <p>Qty: 1</p>	<p>RIGHT DOOR (H)</p>  <p>Qty: 1</p>
<p>LEFT DOOR (I)</p>  <p>Qty: 1</p>	<p>BOTTOM PANEL (J)</p>  <p>Qty: 1</p>	<p>TOP PANEL (K)</p>  <p>Qty: 1</p>	<p>BACK PANEL (L)</p>  <p>Qty: 3</p>



<p>TOP FIXED SHELF PANEL (M)</p>  <p>Qty: 1</p>	<p>MIDDLE MOBILE PANEL (N)</p>  <p>Qty: 1</p>	<p>BACK PLASTIC STRIP (O)</p>  <p>Qty: 2</p>	
<p><b>HARDWARE LIST</b></p>			
<p>CAM (1)</p>  <p>Qty: 8</p>	<p>CAM LOCK (2)</p>  <p>Ø15*9mm</p> <p>Qty: 8</p>	<p>PHILLIPS SCREW (3)</p>  <p>Ø4*37mm</p> <p>Qty: 4</p>	<p>UMBRELLA HEAD BOLT (4)</p>  <p>M6*25mm</p> <p>Qty: 6</p>
<p>PHILLIPS SCREW (5)</p>  <p>Ø4*29mm</p> <p>Qty: 6</p>	<p>ALLEN BOLT (6)</p>  <p>M6*12mm</p> <p>Qty: 4</p>	<p>PIN (7)</p>  <p>Ø5*22mm</p> <p>Qty: 4</p>	<p>PHILLIPS SCREW (8)</p>  <p>Ø4*12mm</p> <p>Qty: 5</p>
<p>ALLEN WRENCH (9)</p>  <p>Qty: 1</p>	<p>WOOD DOWEL (10)</p>  <p>Ø6*30mm</p> <p>Qty: 12</p>	<p>GLUE (11)</p>  <p>Qty: 1</p>	<p>ANTI-TIPPING STRIP (12)</p>  <p>5*200mm</p> <p>Qty: 1</p>
<p>WALL ANCHOR (13)</p>  <p>Ø8.5*30mm</p> <p>Qty: 1</p>	<p>PHILLIPS SCREW (14)</p>  <p>4*25mm</p> <p>Qty: 1</p>	<p>STEEL PLATE (15)</p>  <p>11*11*24mm</p> <p>Qty: 2</p>	<p>NOT INCLUDED</p>  <p>Qty: 1</p>

REQUIRED HARDWARE IN THIS STEP			
NO.	DESCRIPTION	SKETCH	QTY
1	CAM		2PCS
11	GLUE		

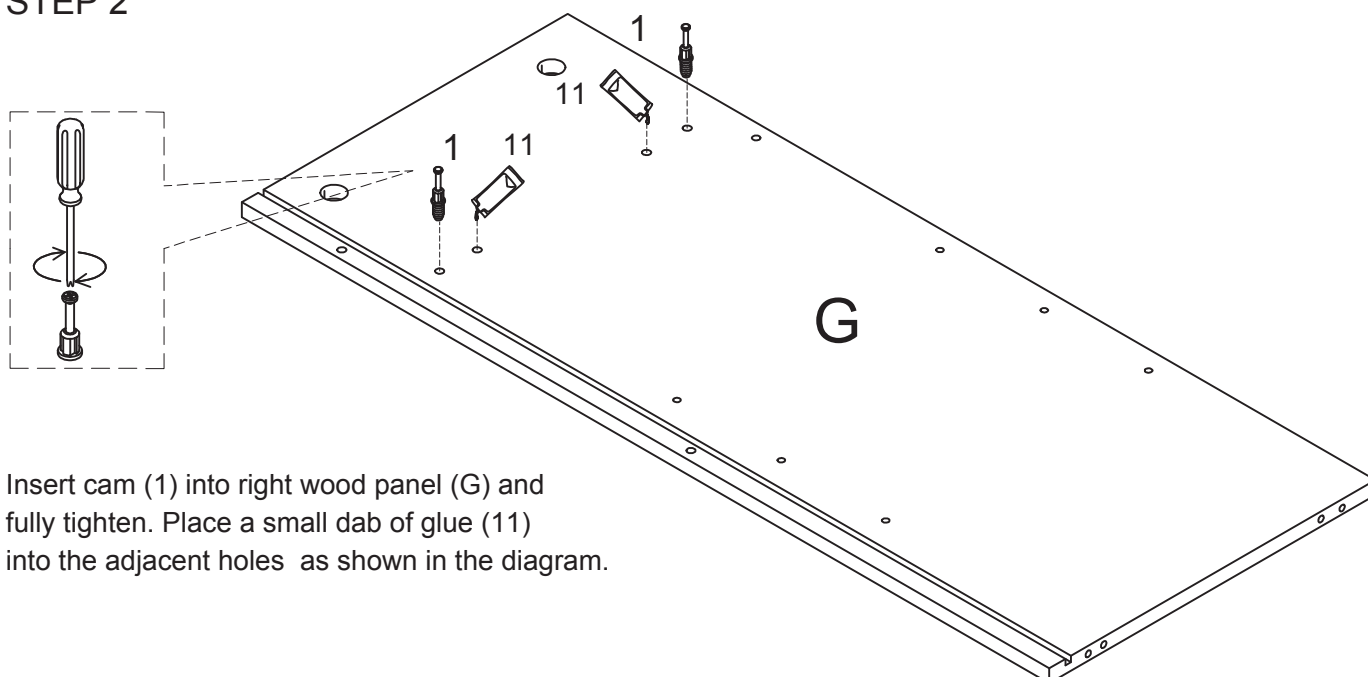
STEP 1



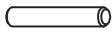

Insert cam (1) into left wood panel (F) and fully tighten. Place a small dab of glue into the adjacent holes as shown in the diagram.

REQUIRED HARDWARE IN THIS STEP			
NO.	DESCRIPTION	SKETCH	QTY
1	CAM		2PCS
11	GLUE		

STEP 2

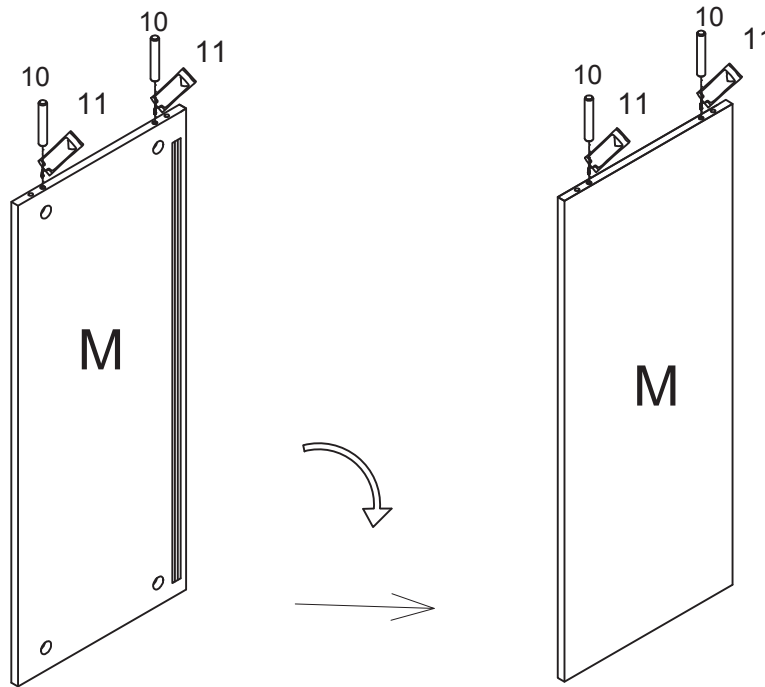


Insert cam (1) into right wood panel (G) and fully tighten. Place a small dab of glue (11) into the adjacent holes as shown in the diagram.

REQUIRED HARDWARE IN THIS STEP			
NO.	DESCRIPTION	SKETCH	QTY
10	WOOD DOWEL		4PCS
11	GLUE		

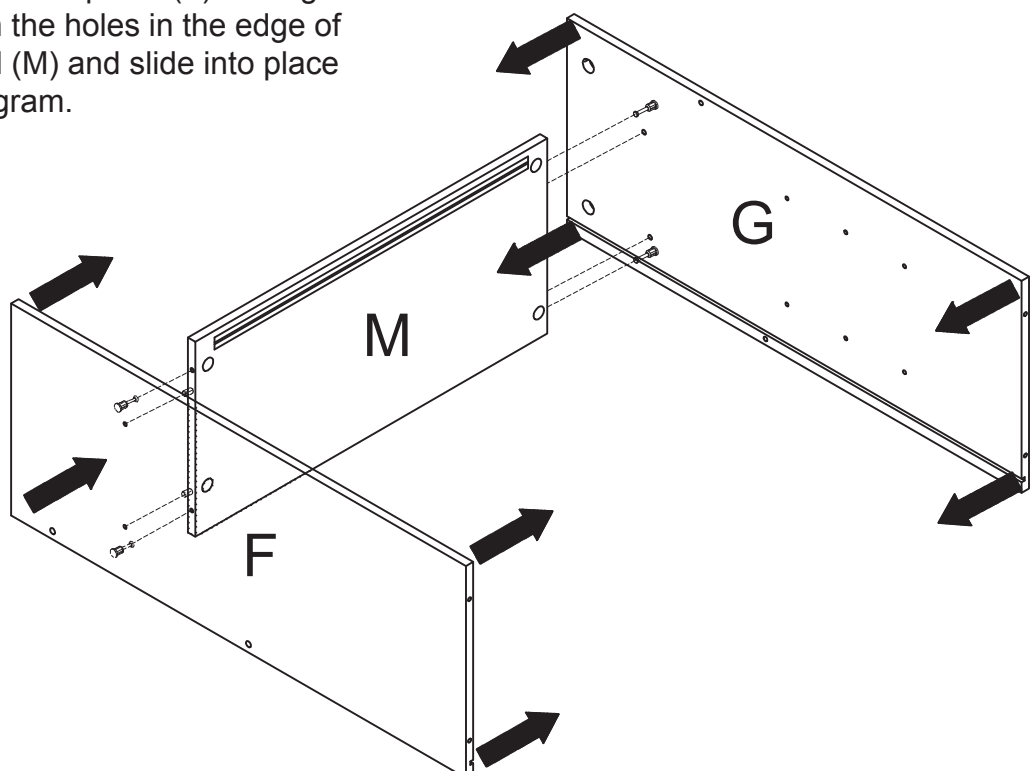
**STEP 3**


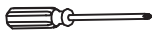
Place a small dab of glue (11) into the outside holes on the edge of top fixed shelf panel (M) and insert wood dowels (10) into the holes.



**STEP 4**

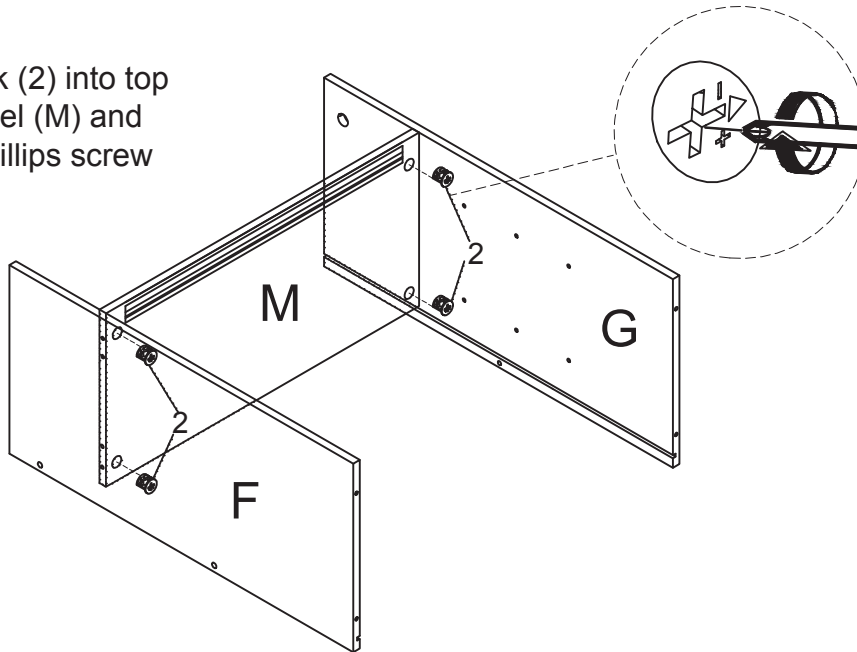
Place top fixed shelf panel (M) on edge. Align the cams (1) in Left wood panel (F) and right wood panel (G) with the holes in the edge of top fixed shelf panel (M) and slide into place as shown in the diagram.





REQUIRED HARDWARE IN THIS STEP			
NO.	DESCRIPTION	SKETCH	QTY
2	CAM LOCK		4PCS
	PHILLIPS SCREW DRIVER		NOT INCLUDED

**STEP 5**

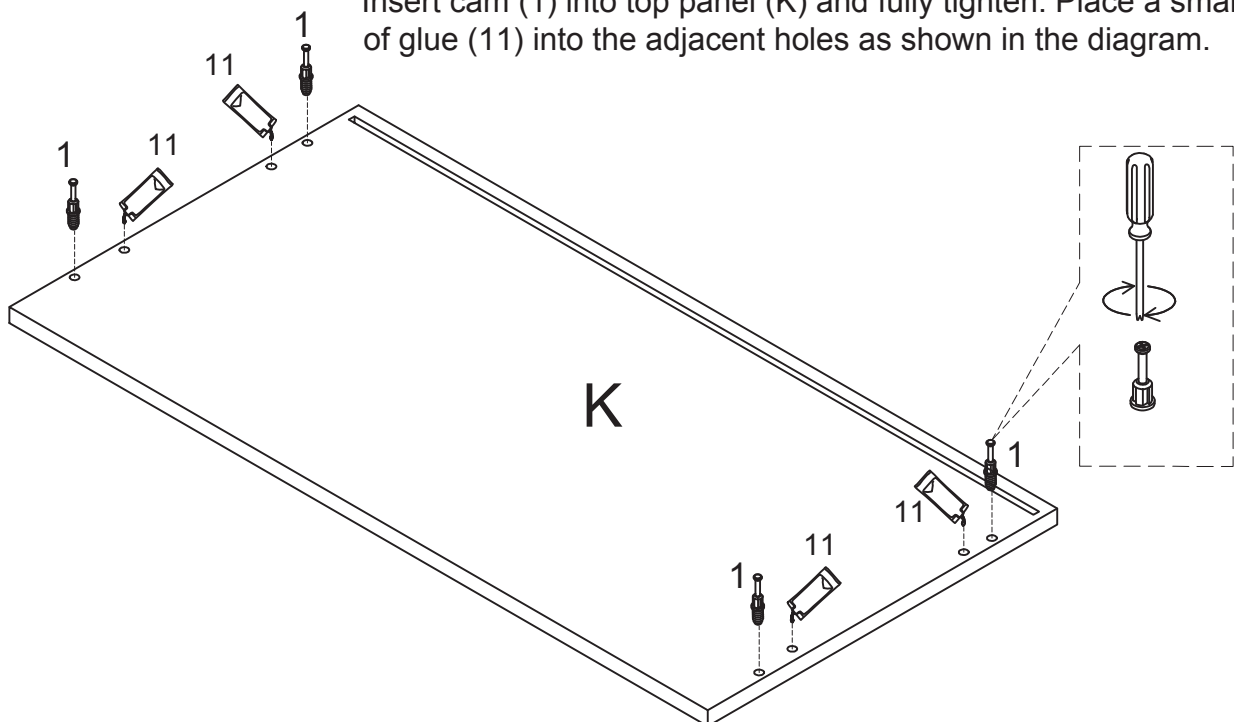
Insert cam lock (2) into top fixed shelf panel (M) and tighten with phillips screw driver.

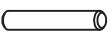



REQUIRED HARDWARE IN THIS STEP			
NO.	DESCRIPTION	SKETCH	QTY
1	CAM		4PCS
11	GLUE		

**STEP 6**

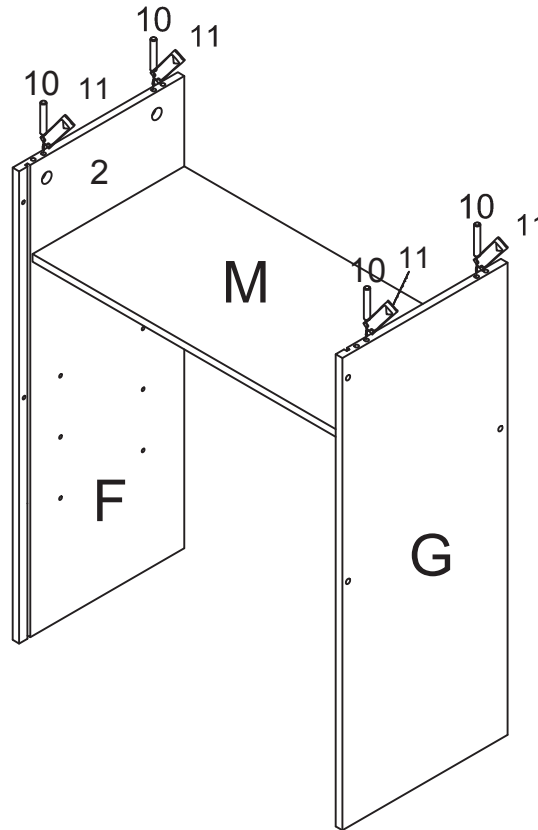
Insert cam (1) into top panel (K) and fully tighten. Place a small dab of glue (11) into the adjacent holes as shown in the diagram.



REQUIRED HARDWARE IN THIS STEP			
NO.	DESCRIPTION	SKETCH	QTY
10	WOOD DOWEL		4PCS
11	GLUE		

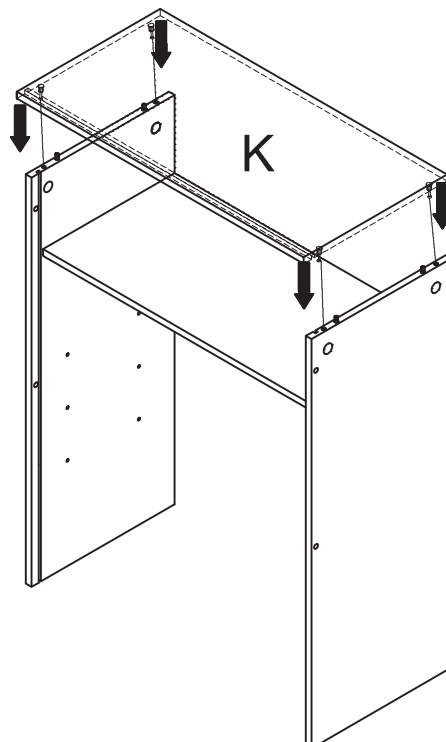
### STEP 7

Carefully set the assembled panels upright as shown in the diagram. Place a small dab of glue (11) into the outside holes of the edges of left wood panel (F) and right wood panel (G) and insert wood dowels (10) into the holes.


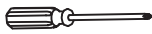


### STEP 8

Align the cams (1) in the top panel (K) with the holes in Left wood panel (F) and right wood panel (G) and lower into place.

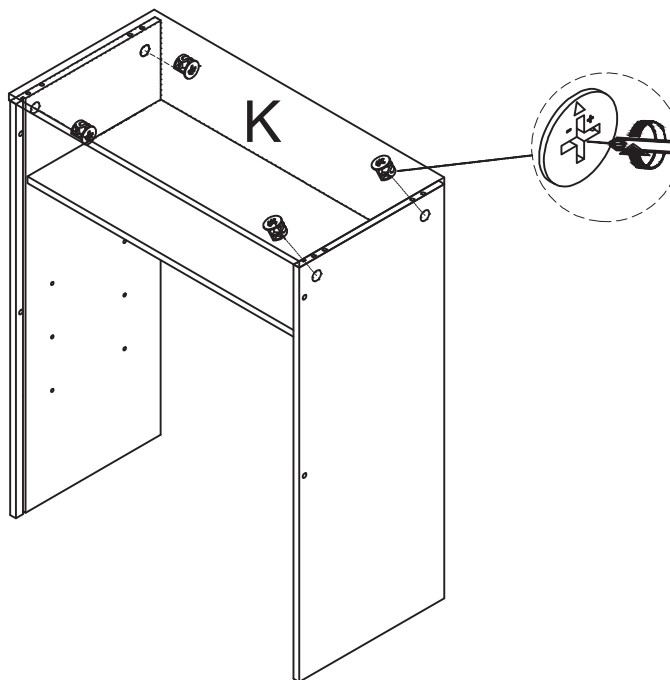


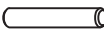



REQUIRED HARDWARE IN THIS STEP			
NO.	DESCRIPTION	SKETCH	QTY
2	CAM LOCK		4PCS
	PHILLIPS SCREW DRIVER		NOT INCLUDED

**STEP 9**

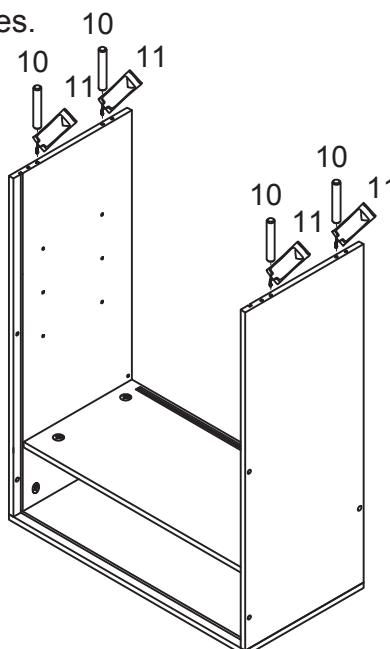
Insert cam lock (2) into left wood panel (F) and right wood panel (G) and fully tighten with phillips screwdriver.



REQUIRED HARDWARE IN THIS STEP			
NO.	DESCRIPTION	SKETCH	QTY
10	WOOD DOWEL		4PCS
11	GLUE		

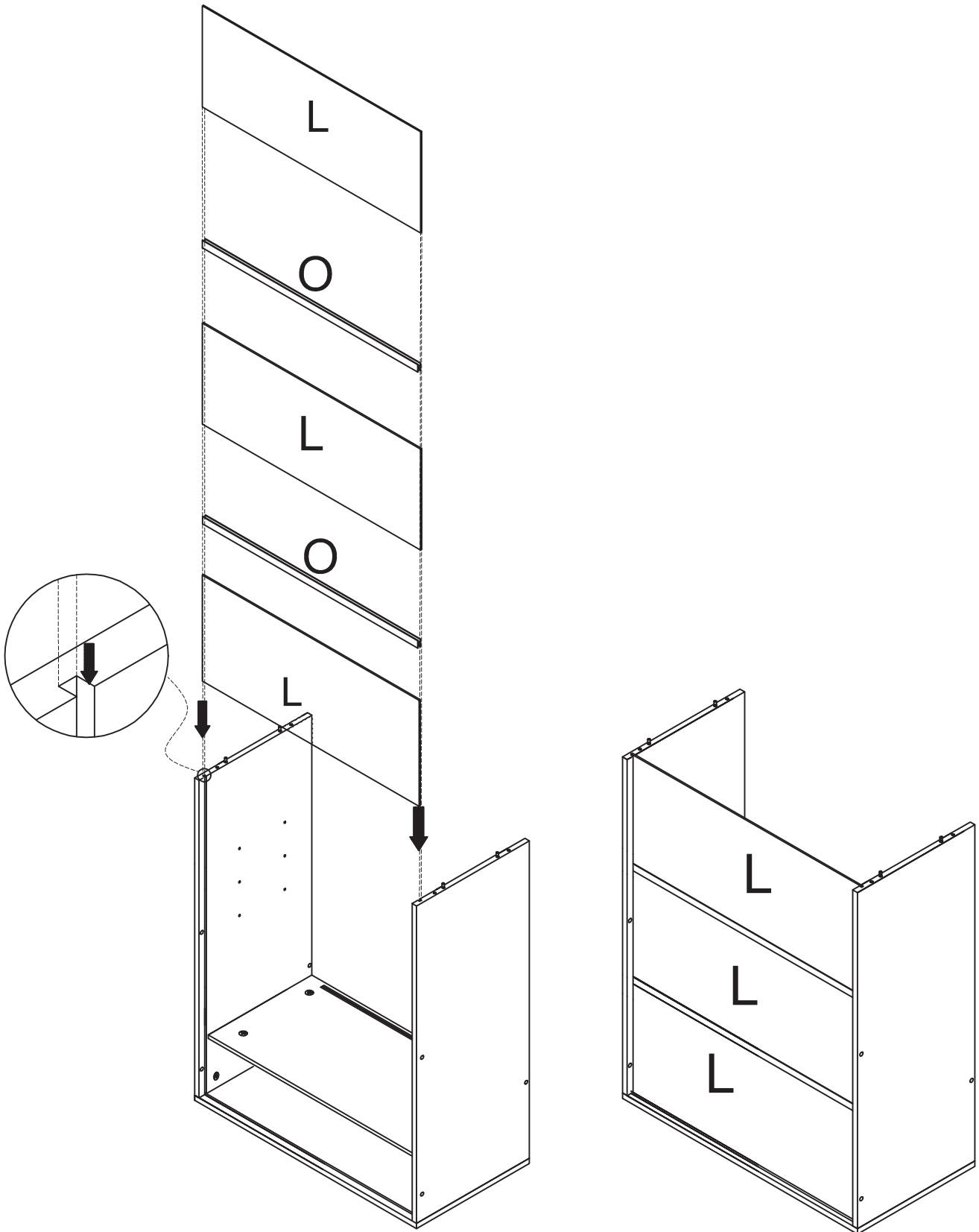
**STEP 10**


Carefully turn the assembled parts over as shown in the diagram. Place a small dab of glue (11) into the outside holes of the edges of left wood panel (F) and right wood panel (G) and insert wood dowels (10) into the holes.



STEP 11

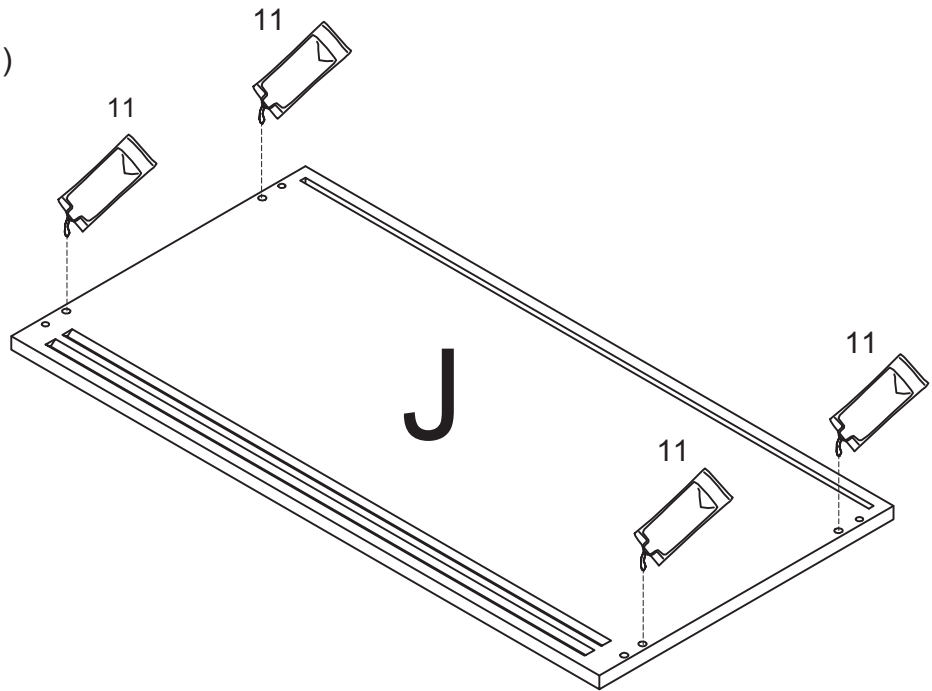
Slide back panel (L) into the grooves of left wood panel (F) and right wood panel (G). Place plastic strip (O) in between each back panel (L) as shown in the diagram.



REQUIRED HARDWARE IN THIS STEP			
NO.	DESCRIPTION	SKETCH	QTY
11	GLUE		

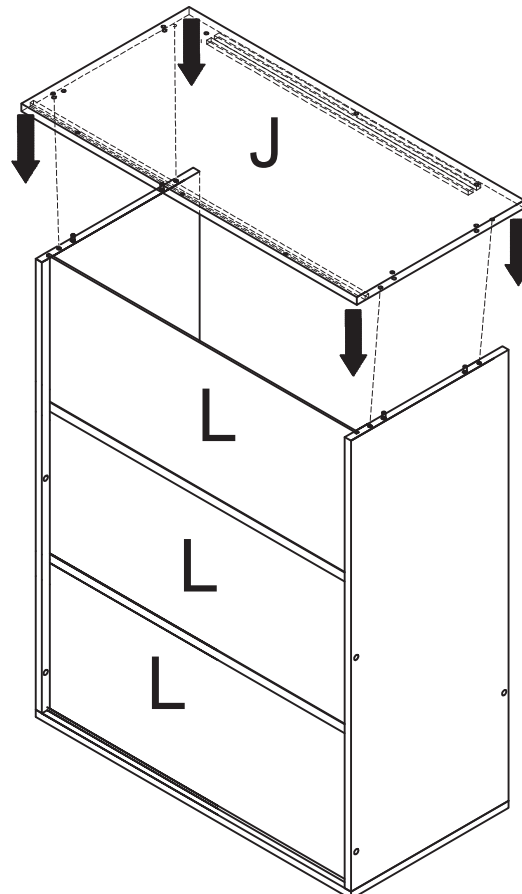
**STEP 12**



Place a small dab of glue (11) into the outermost holes bottom wood panel (J) as shown in the diagram.



**STEP 13**

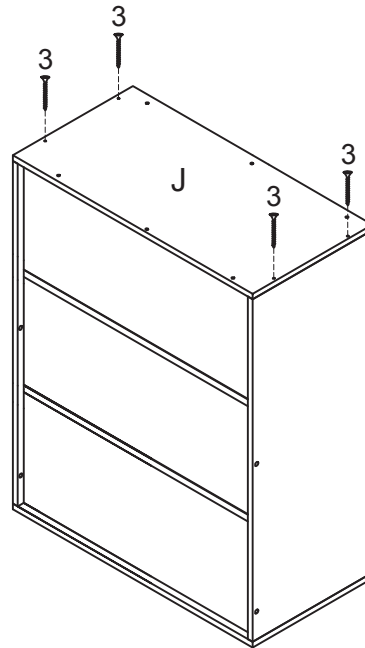
Align the wood dowels of left wood panel (F) and right wood panel (G) with the holes in bottom wood panel (J) and lower into place.





REQUIRED HARDWARE IN THIS STEP			
NO.	DESCRIPTION	SKETCH	QTY
3	PHILLIPS SCREW Ø4*37mm		4PCS
	PHILLIPS SCREW DRIVER		NOT INCLUDED

**STEP 14**

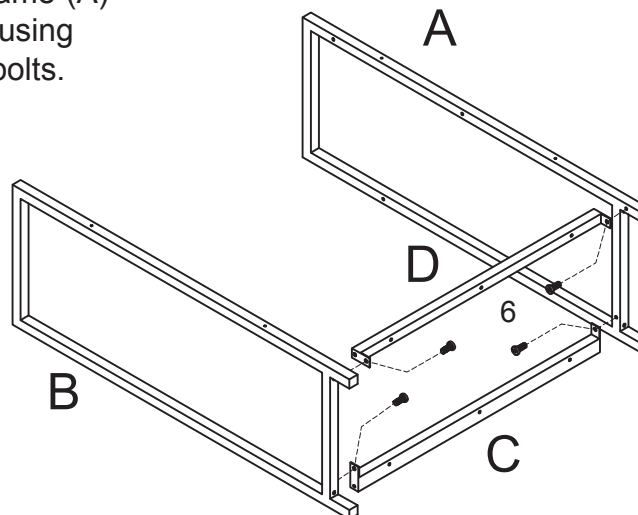
Secure the bottom wood panel (J) to left wood panel (F) and right wood panel (G) with phillips screw (3) using phillips screwdriver. Fully tighten screws.



REQUIRED HARDWARE IN THIS STEP			
NO.	DESCRIPTION	SKETCH	QTY
6	ALLEN BOLT M6*12MM		4PCS
9	ALLEN WRENCH		

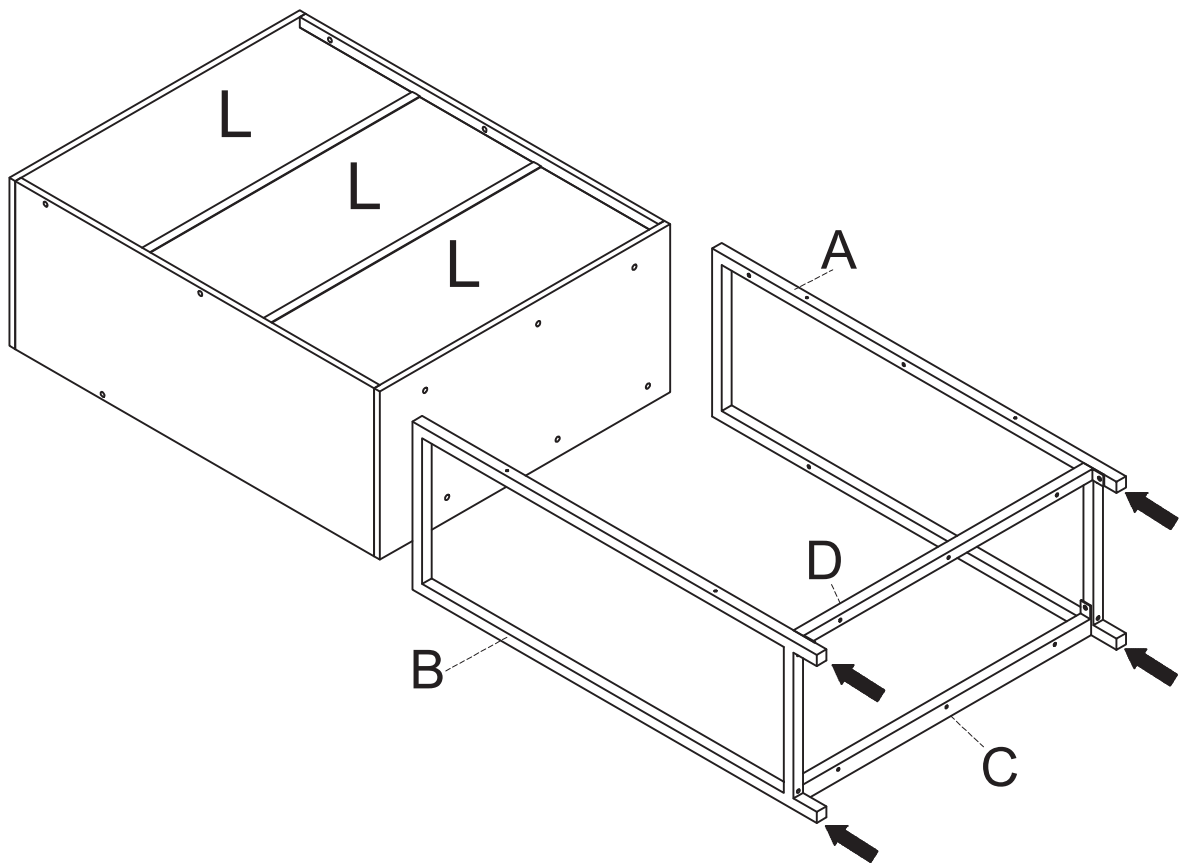
**STEP 15**





Assemble front bottom support bar (C) & back bottom support bar (D) on left frame (A) and right frame (B) with allen bolt (6) using allen wrench (9). Do not fully tighten bolts.



STEP 16

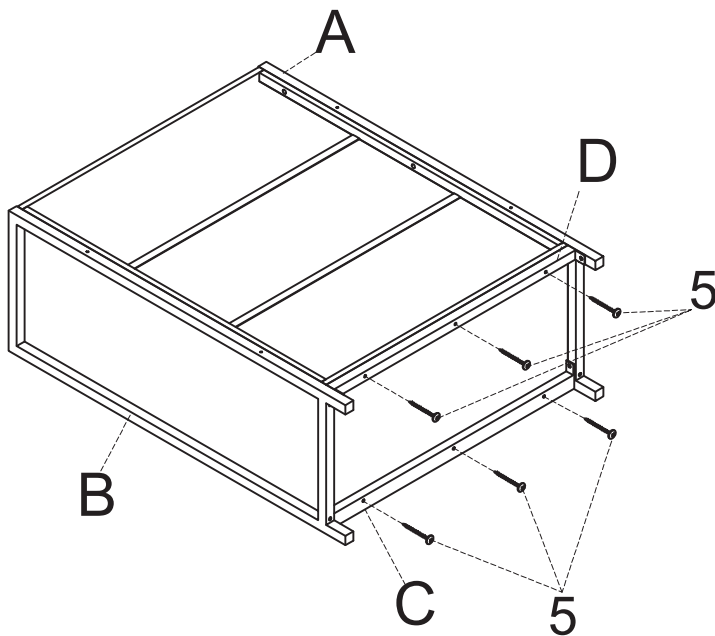
Carefully place the assembled metal frame over the assembled cabinet as shown in the diagram.



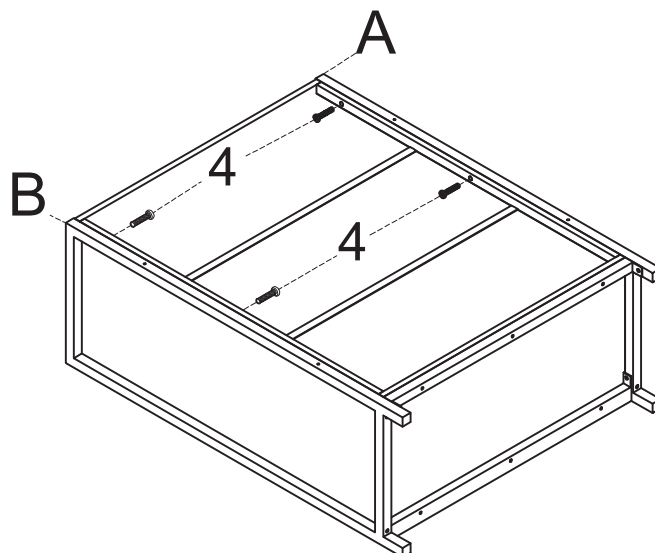
REQUIRED HARDWARE IN THIS STEP			
NO.	DESCRIPTION	SKETCH	QTY
4	ALLEN BOLT M6*25MM		4PCS
5	PHILLIPS SCREW Ø4*29MM		6PCS
9	ALLEN WRENCH		
	PHILLIPS SCREW DRIVER		NOT INCLUDED



STEP 17

Attach the the metal frame to bottom wood panel (J) with phillips screw (5) using phillips screwdriver. Fully tighten all screws and bolts.



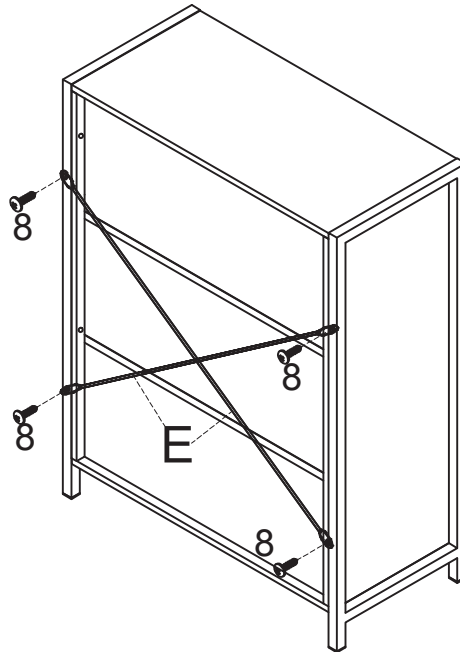
Attach left frame (A) and right frame (B) to the assembled cabinet with allen bolt (4) using allen wrench (9).





REQUIRED HARDWARE IN THIS STEP			
NO.	DESCRIPTION	SKETCH	QTY
8	PHILLIPS SCREW Ø4*12MM		4PCS
	PHILLIPS SCREW DRIVER		NOT INCLUDED

### STEP 18

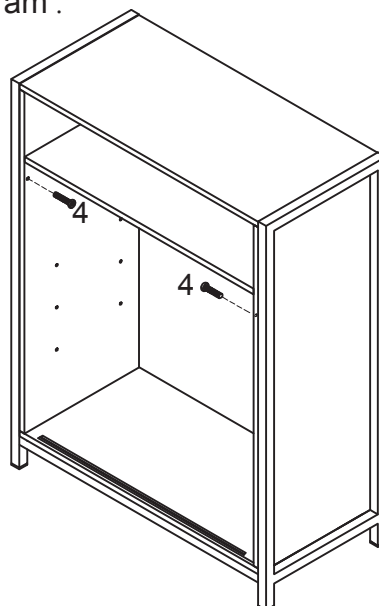
With assistance, carefully turn the assembled cabinet onto it's feet as shown in the diagram. Attach back cross bars (E) with phillips screw (8) using phillips screwdriver.




REQUIRED HARDWARE IN THIS STEP			
NO.	DESCRIPTION	SKETCH	QTY
4	ALLEN BOLT M6*25MM		2PCS
9	ALLEN WRENCH		

### STEP 19

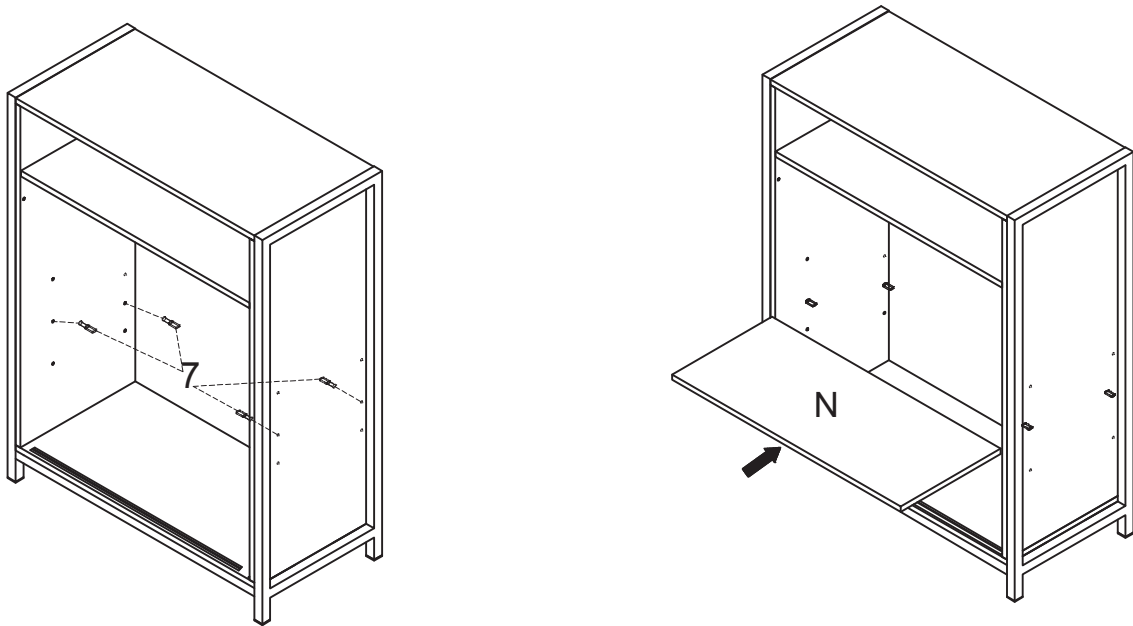
Attach the left wood panel (F) and right wood panel (G) to the metal frame with allen bolt (4) using allen wrench (9) as shown in the diagram .



REQUIRED HARDWARE IN THIS STEP			
NO.	DESCRIPTION	SKETCH	QTY
7	PIN		4PCS

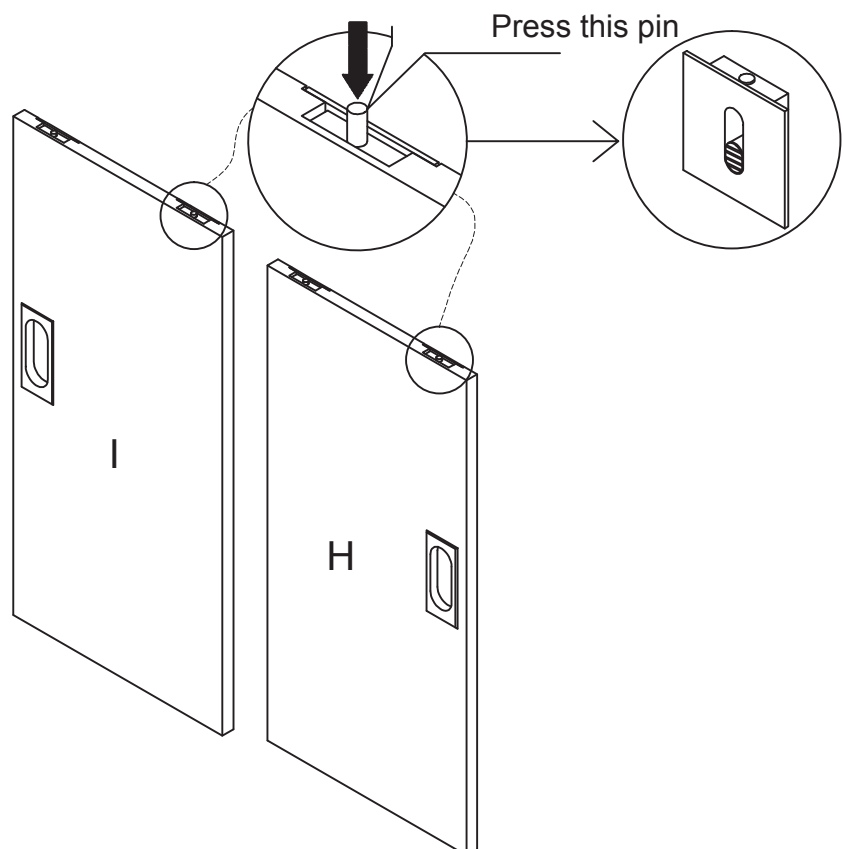
**STEP 20**

Insert pin (7) into the pre-drilled holes of left wood panel (F) and right wood panel (G) as shown in the diagram. Then place the middle mobile shelf panel (N) onto the pins (7). The shelf can be adjusted up or down by moving the level of the pins (7).



**STEP 21**

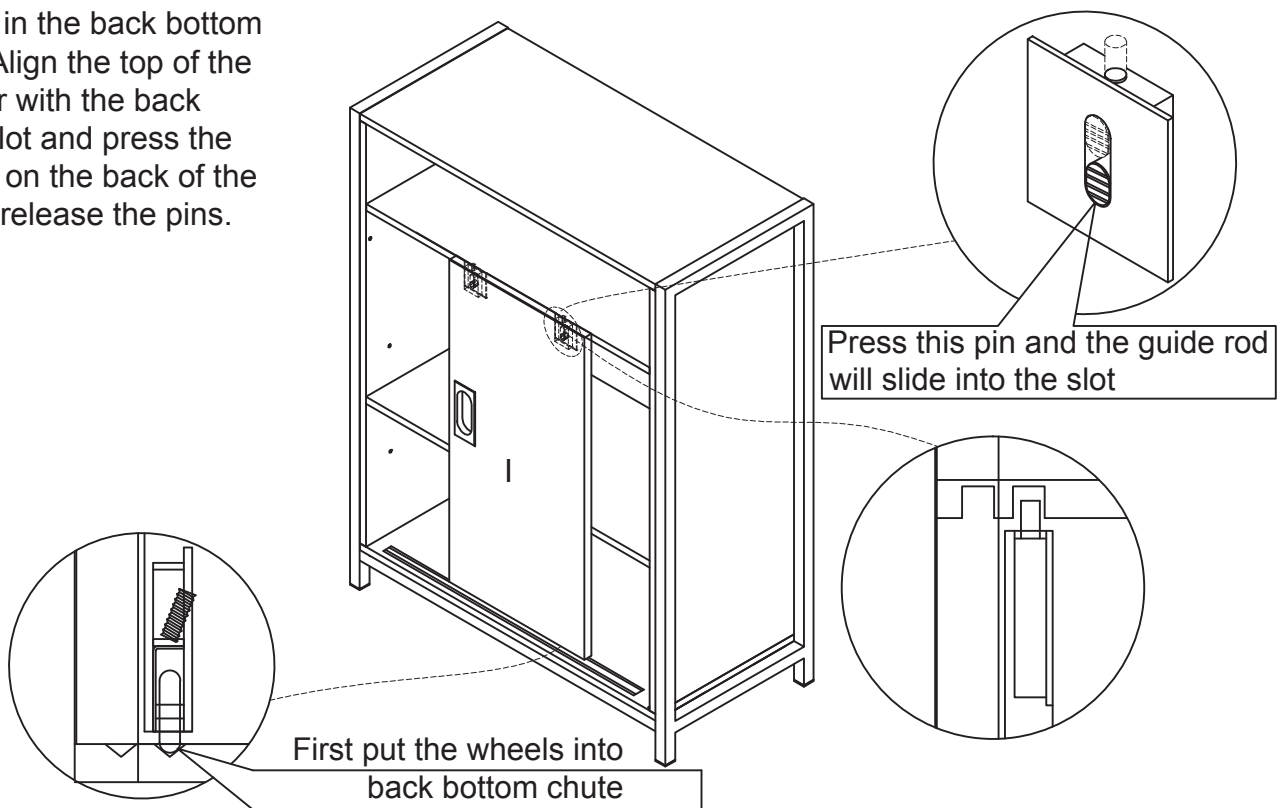
Press the door pins down on left door (I) and right door (H) until they click.





## STEP 22

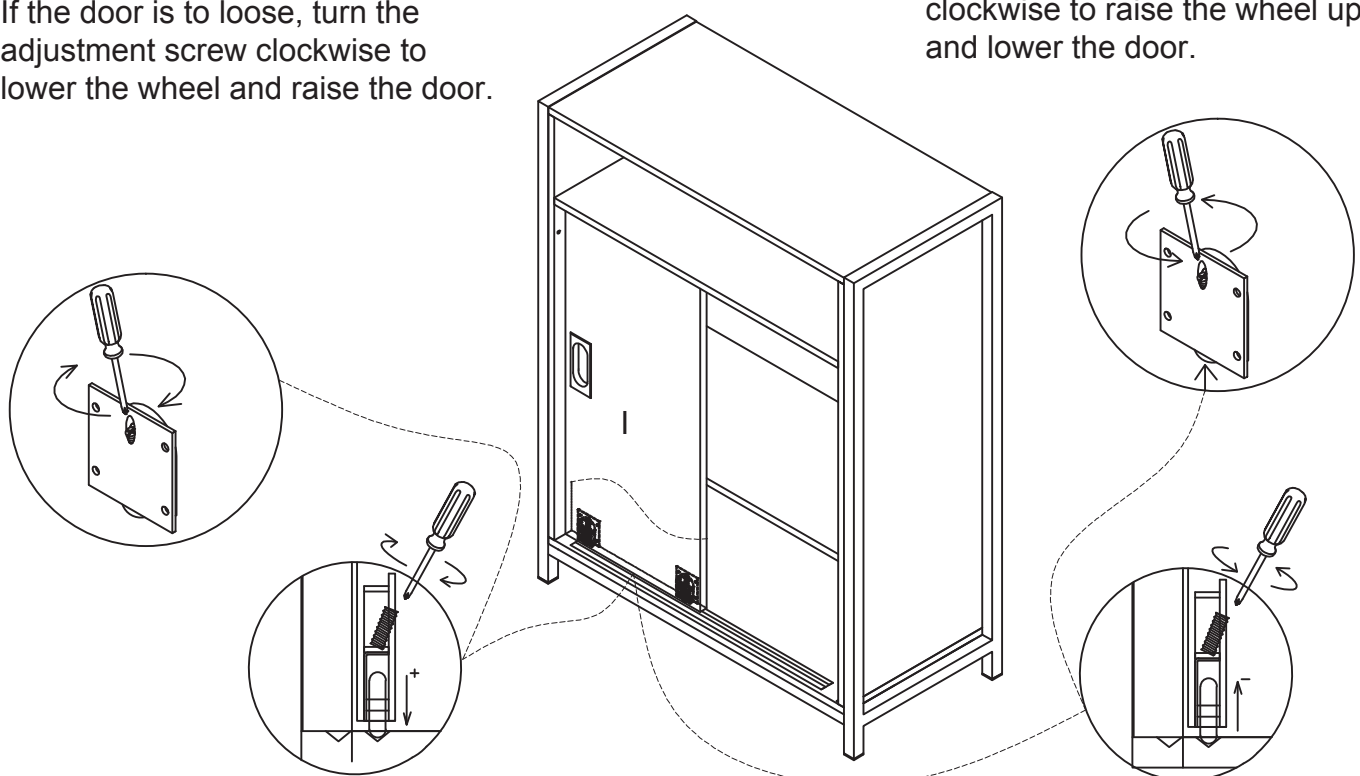
Place the wheels of left door (I) in the back bottom chute. Align the top of the left door with the back upper slot and press the buttons on the back of the door to release the pins.



## STEP 23

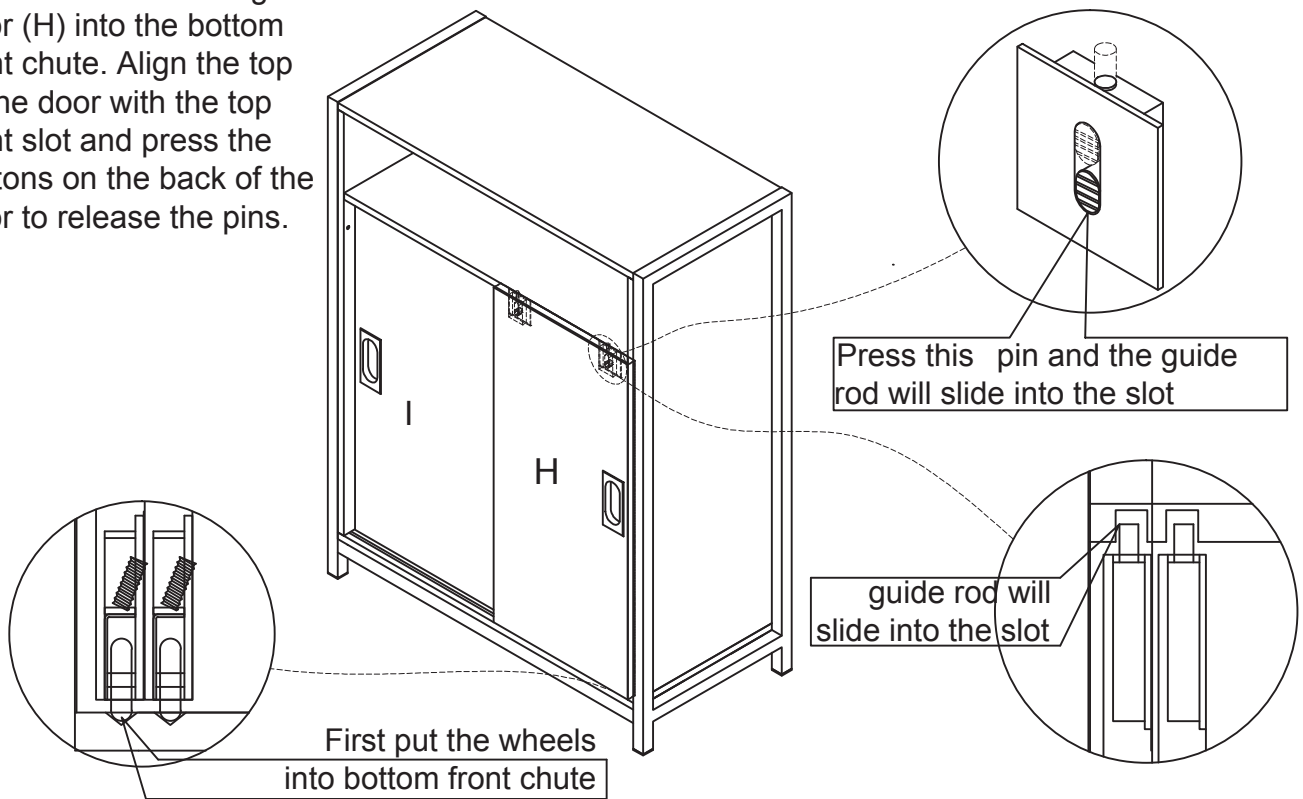
If the door is too loose, turn the adjustment screw clockwise to lower the wheel and raise the door.

If the door is too tight, turn the adjustment screw counter clockwise to raise the wheel up and lower the door.



STEP 24

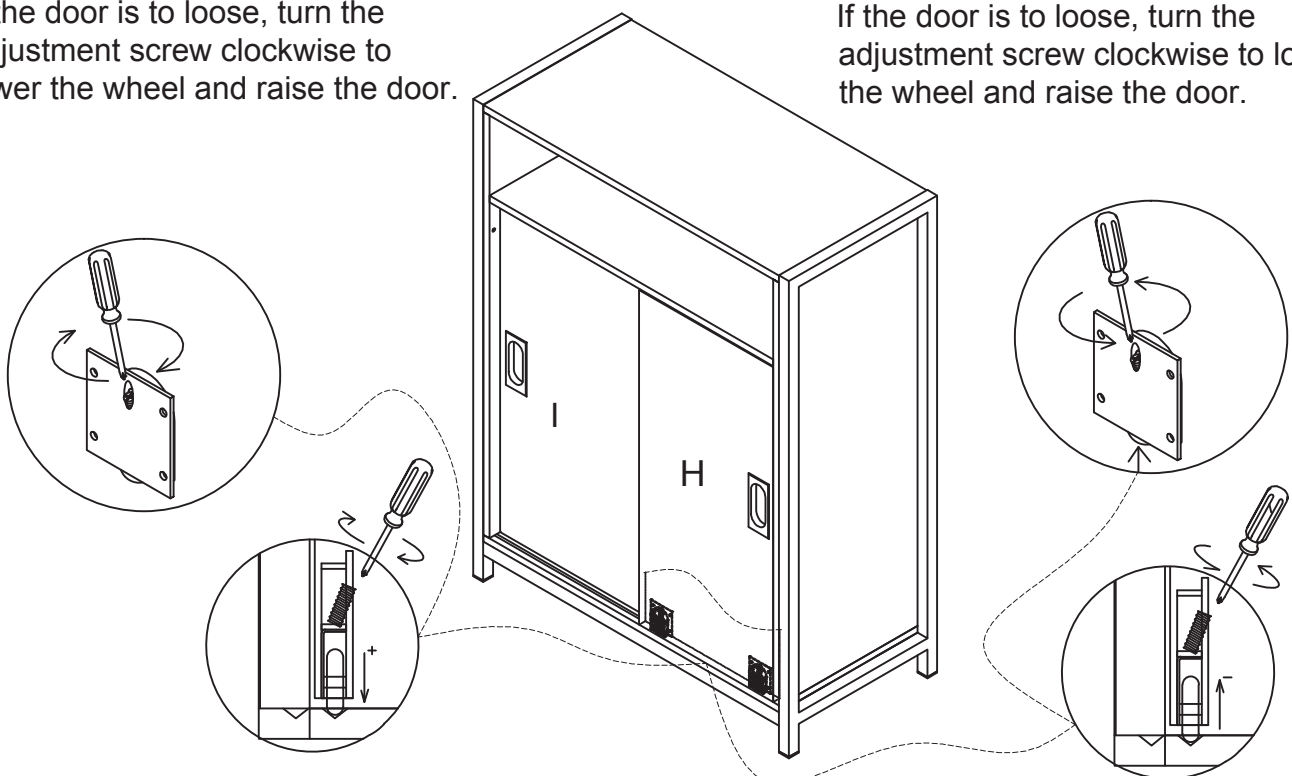
Place the wheels of right door (H) into the bottom front chute. Align the top of the door with the top front slot and press the buttons on the back of the door to release the pins.









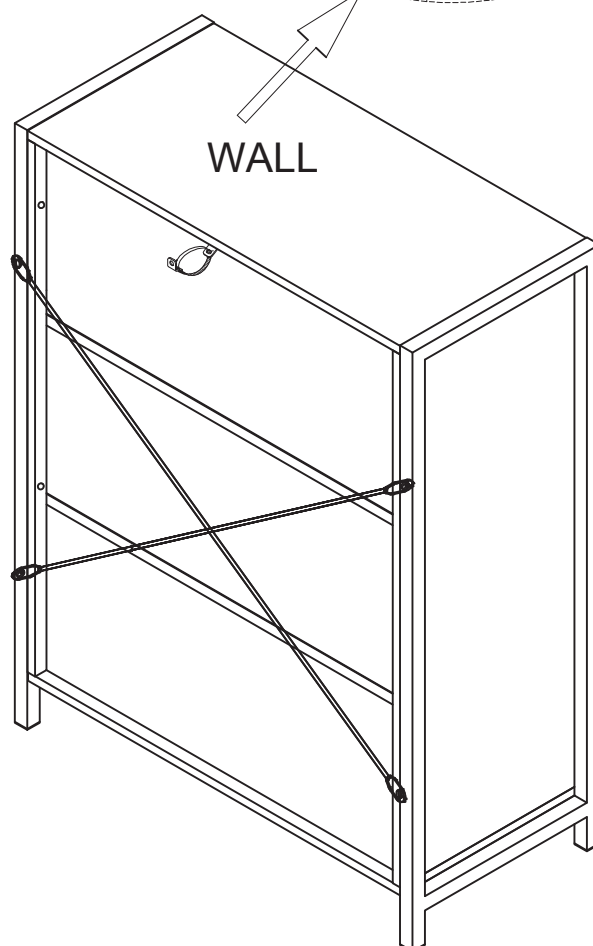
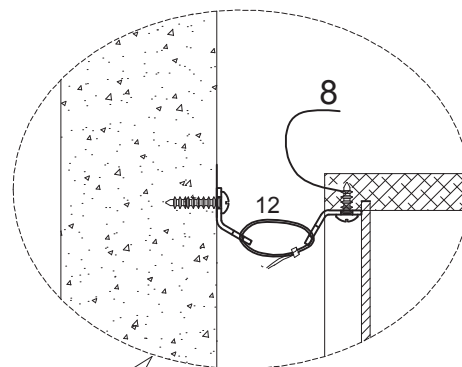
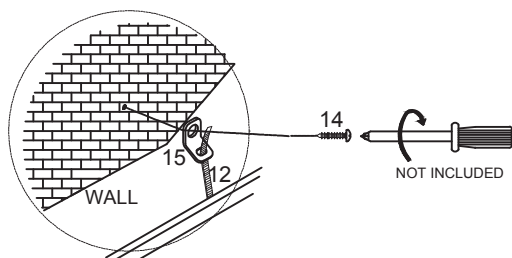
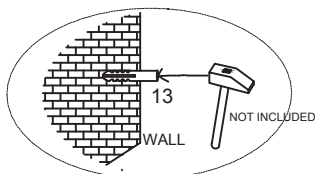
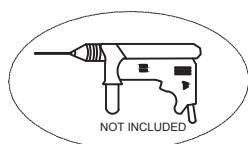
STEP 25

If the door is too loose, turn the adjustment screw clockwise to lower the wheel and raise the door.

If the door is too loose, turn the adjustment screw clockwise to lower the wheel and raise the door.



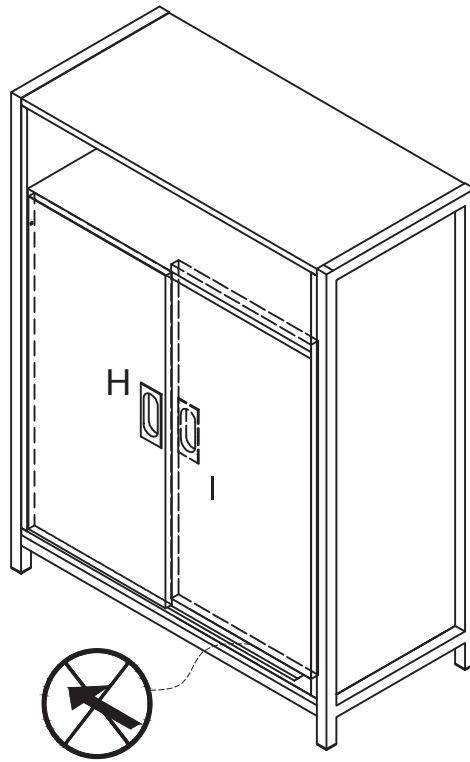
REQUIRED HARDWARE IN THIS STEP			
NO.	DESCRIPTION	SKETCH	QTY
8	PHILLIPS SCREW Ø4*12mm		1 PC
12	ANTI-TIPPING STRIP		1 PC
13	WALL ANCHOR Ø8.5*30mm		1 PC
14	PHILLIPS SCREW Ø4*25mm		1 PC
15	STEEL PLATE		2 PCS
	PHILLIPS SCREW DRIVER	 NOT INCLUDED	



## STEP 26

Attach steel plate (15 ) to top panel (K) with screw (8) using screwdriver. Place assembled unit in desired position. Mark position of steel plate (15) on wall and remove unit. Drill one hole on the wall and then put wall anchor (13) into the predrilled hole. Attach steel plate (15) to wall anchor (13) with screw (14) using screwdriver.. Place unit back into position. Attach anti tipping strip (12) to steel plates (15) as shown.

STEP 27



**To avoid injury, please open the cabinet doors as directed in the diagram.**

