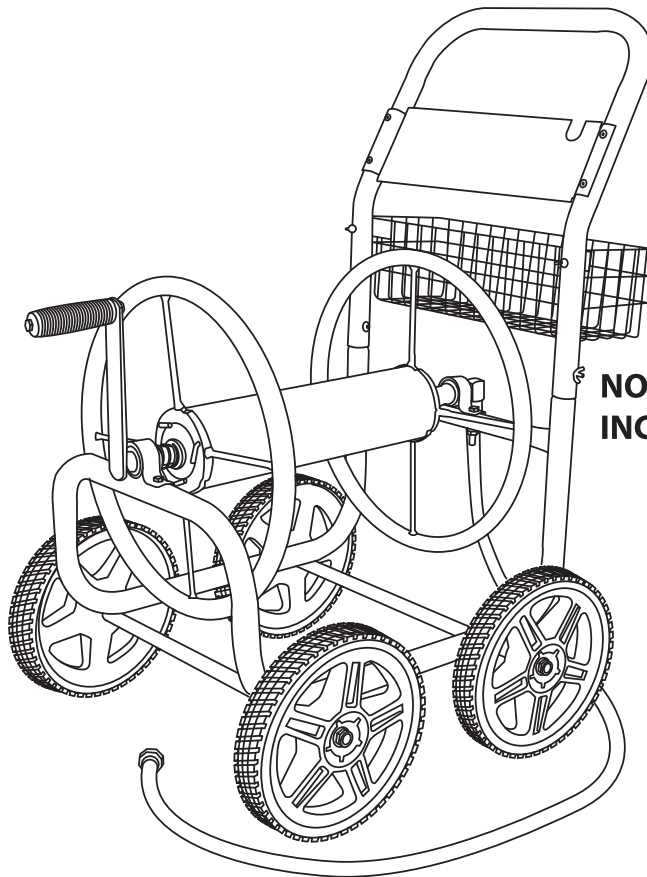


## ASSEMBLY INSTRUCTION

---

# Four Wheel Hose Cart Owner's Manual



**NOTE: 840-S DOES NOT  
INCLUDE WIRE BASKET**

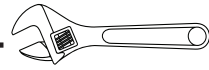
**IMPORTANT: READ THE OWNER'S MANUAL BEFORE ASSEMBLING**

---

Get social with us and discover more about our products, tips and exclusive discounts!

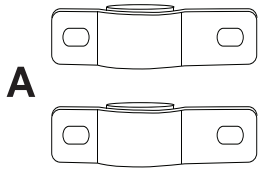


**TOOLS REQUIRED: TWO ADJUSTABLE WRENCHES -**



Estimated Assembly Time: 30 Minutes

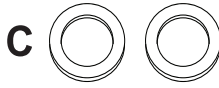
**PARTS LIST**



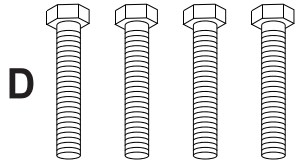
**A**



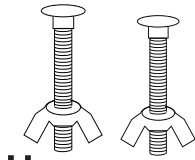
**B**



**C**



**D**



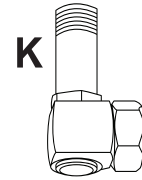
**H**



**I**



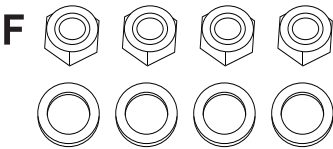
**J**



**K**

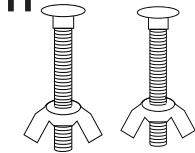


**E**

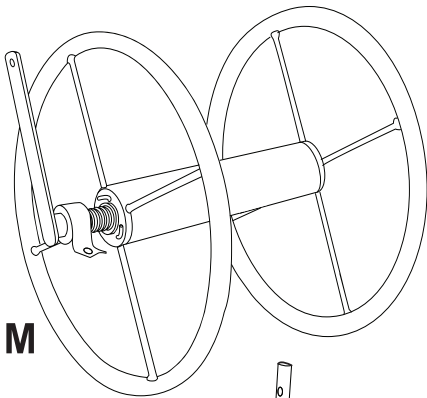


**F**

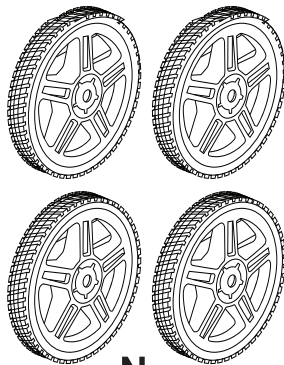
**G**



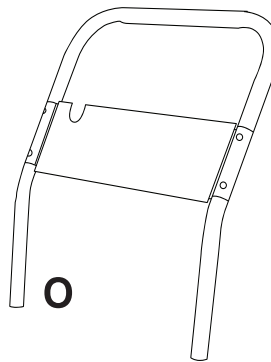
- A.** U-BUSHING (2)
- B.** SPRING (1)
- C.** SPACER WASHER (2)
- D.** 1.75" BOLTS (4)
- E.** NUTS (4)
- F.** LOCK NUTS (4)
- G.** AXLE WASHERS (4)
- H.** WING BOLTS W / WING NUTS (4)
- I.** CRANK HANDLE (1)
- J.** RUBBER HANDLE W / BOLT (1)
- K.** BRASS SWIVEL (1)
- L.** GALVANIZED TEE (1)



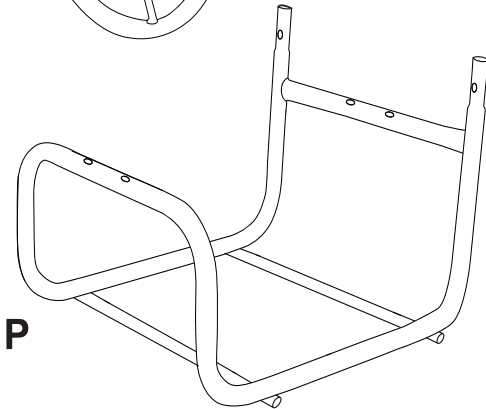
**M**



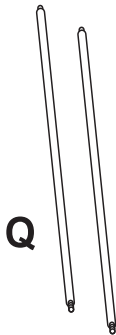
**N**



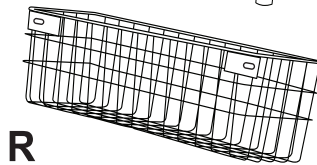
**O**



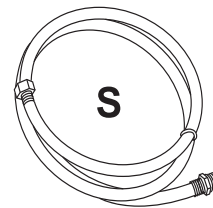
**P**



**Q**



**R**



**S**

- M.** SPOOL (1)
- N.** TIRES (4)
- O.** U-HANDLE (1)
- P.** FRAME (1)
- Q.** WHEEL AXLES (2)
- R.** WIRE BASKET (1)  
NOT INCLUDED ON 840-S
- S.** LEADER HOSE (1)

**Important! Some of your hose cart parts shown will come factory assembled.**

**IMPORTANT:** LAY OUT ALL PARTS AND FASTENERS. MAKE SURE ALL PARTS ARE ACCOUNTED FOR.

# ASSEMBLY INSTRUCTIONS

## STEP 1

Locate the frame (P) and place it on a flat surface. Insert the wheel axles (Q) through the tires (N) and into the frame, as shown. Slide the washers (G) onto the wheel axles, followed by the axle nuts (F); tighten axle nuts using adjustable wrenches. **Figure 1**

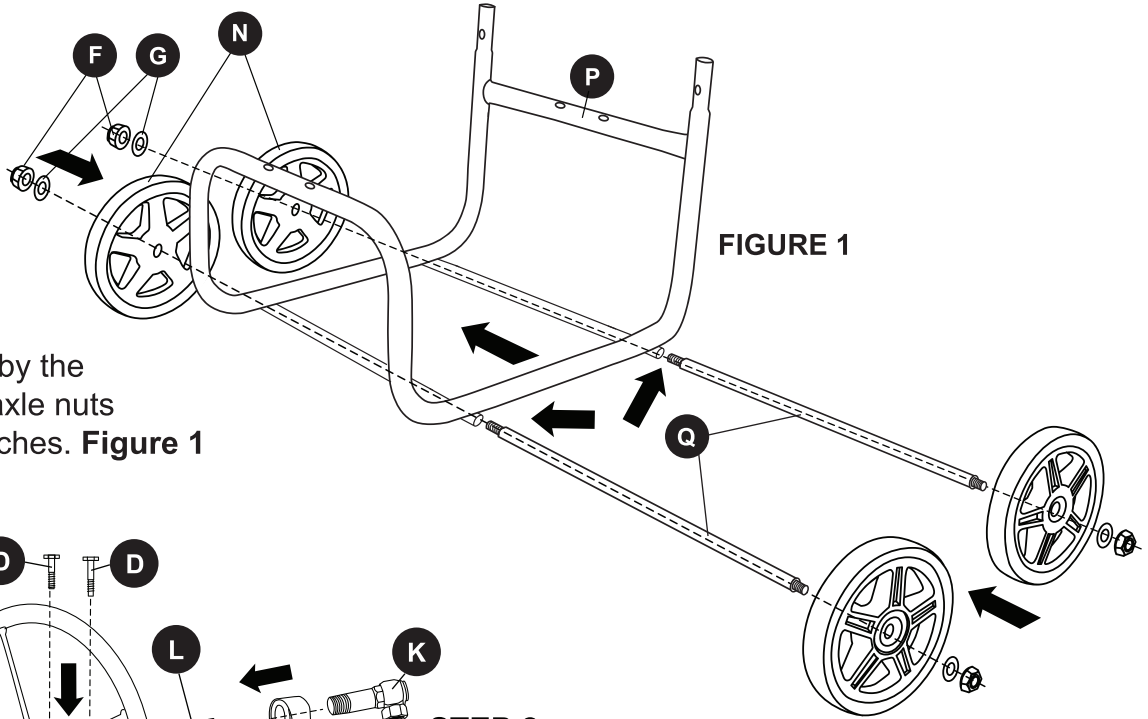


FIGURE 1

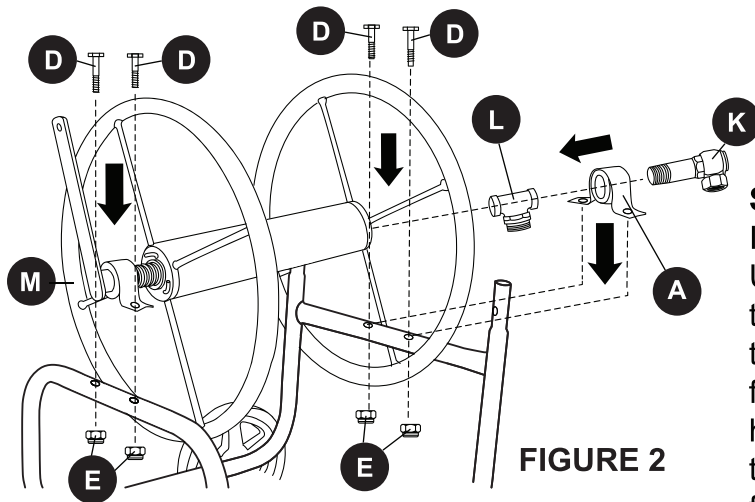
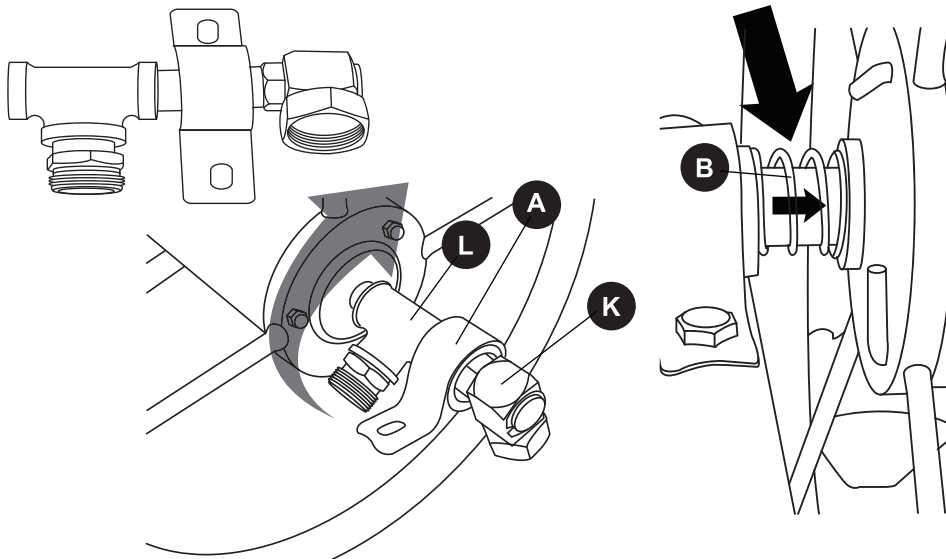


FIGURE 2

## STEP 2

Insert the brass swivel (K) through the U-bushing (A) and into the galvanized tee (L); tighten securely. Screw the galvanized tee onto the end of the spool (M). Set spool onto the frame, then align the U-bushing holes with the holes in the frame. Insert the 1.75" bolts (D) through the U-bushing and frame holes, then fasten the lock nuts (E) onto the 1.75" bolts. Repeat on crank handle side. **Figure 2**

**WARNING: Do not overtighten brass swivel in order to provide the optimal seal.**



**NOTE: Spring (B) may need to be pushed in so the U-bushings align with the frame holes and the 1.75" bolts can be inserted.**

## ASSEMBLY INSTRUCTIONS

### STEP 3

Attach the rubber handle (**J**) to the crank handle bolt and nut; tighten securely. **Figure 3**

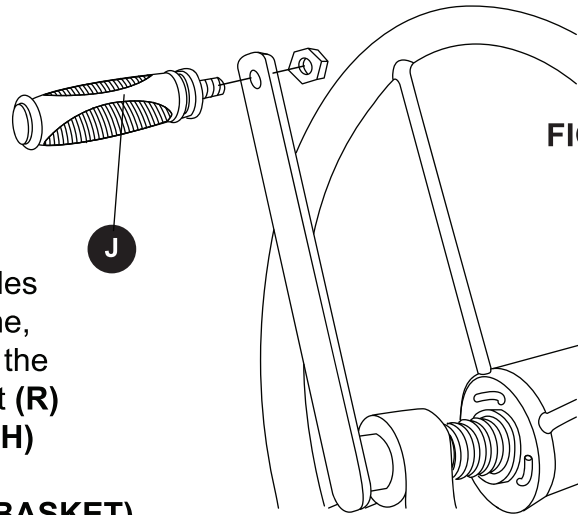


FIGURE 3

### STEP 4

Slide U-handle (**O**) onto the frame (**P**). Align the holes at the bottom of the U-handle with holes in the frame, then insert wing bolts (**H**) through the holes. Screw the wing nuts onto bolts. Next, align the holes in basket (**R**) with holes at top of the U-handle, then insert bolts (**H**) through the holes; tighten securely. **Figure 4**

(Note: 840-S CART DOES NOT INCLUDE WIRE BASKET)

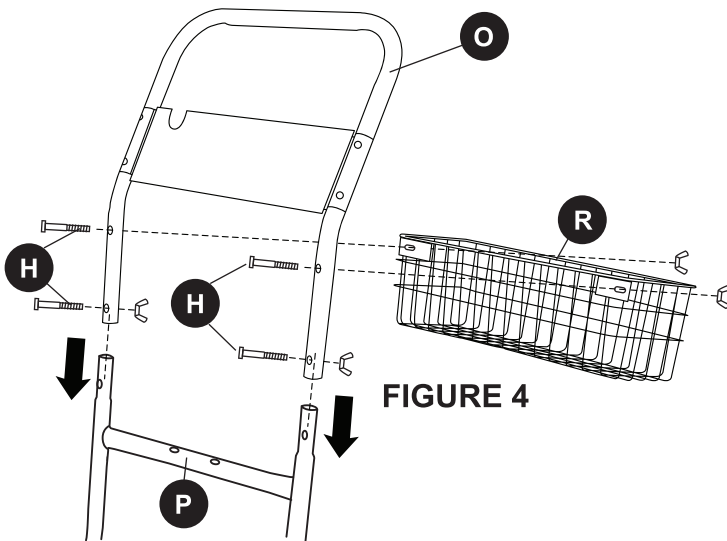


FIGURE 4

### STEP 5

Attach the leader hose (**S**) to the brass swivel (**K**) **Figure 4**

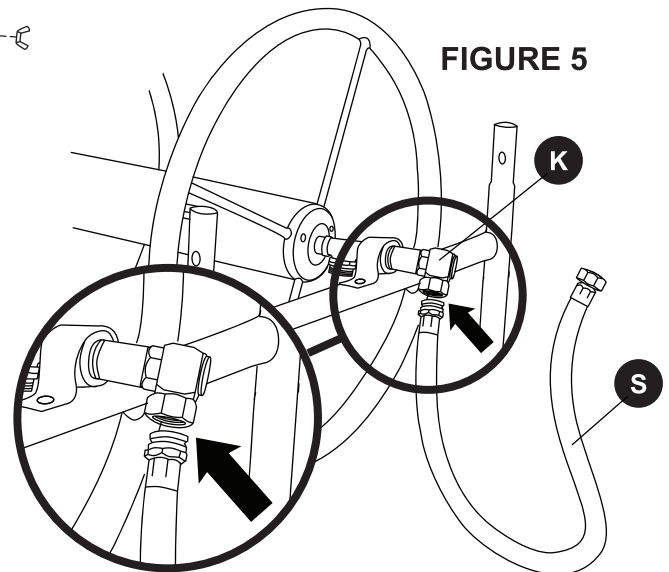
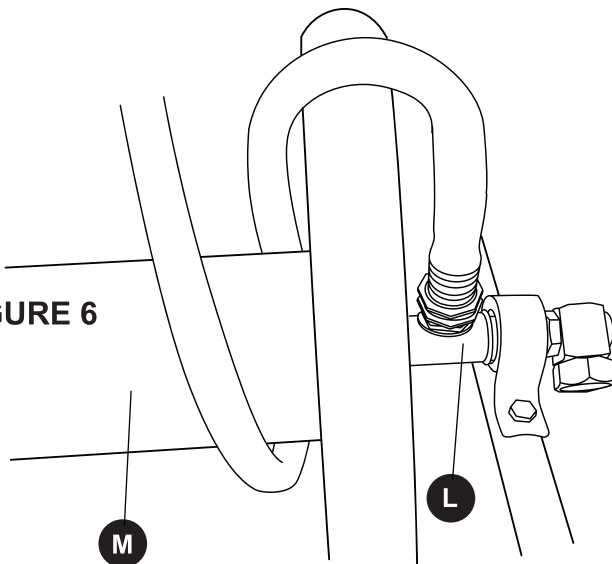


FIGURE 5

FIGURE 6



### STEP 6

Attach your garden hose to the brass adapter on the galvanized tee (**L**). Loop the garden hose over the spool (**M**) end as shown. **Figure 6**

## **CARE INSTRUCTIONS**

Your hose reel cart is manufactured with the finest quality components available. This product will give you many seasons of reliable and functional hose storage. All components are manufactured to rigorous quality standards not common in other consumer grade hose reels available today. As with any steel product, there is always the chance for rust developing over time. Your hose reel finish is designed for industrial applications, but even the toughest of coatings can be compromised by scratches. Such minor surface damage can occur in shipping despite our best efforts. We have found that most scratches occur during assembly and/or installation (in the case of wall mounted hose reels). If the base metal is exposed to the elements long enough, rust will develop. In the case of wall mounted reels, be sure to use stainless steel mounting hardware. We recommend that you periodically inspect your reel for any surface damage. Scratches can easily be repaired by using standard automotive touch-up body paint. Some of our most loyal customers recommend that at the end of each season, the unit be cleaned and painted with a clear acrylic paint.

When you install your hose reel, be sure the hose washers are in place and all fittings are secure. If you live in more temperate climates, be sure to drain the unit of any residual water before storing.

- **DO NOT EXPOSE UNIT TO FREEZING TEMPERATURES** while water remains in the plumbing system, this can damage the swivel.
- **DO NOT** leave water running through the hose reel cart while not in use or unsupervised.
- **DO NOT** consume water from garden hose; not fit for human consumption.

**WARNING!** This product can expose you to lead, which is known to the State of California to cause cancer and birth defects or other reproductive harm. For more information go to [www.P65Warnings.ca.gov](http://www.P65Warnings.ca.gov)

## **TROUBLE SHOOTING GUIDE**

**Problem:** Swivel head is not rotating, causing the leader hose to kink up.

**Solution:** Remove leader hose and turn the square head of the swivel several times; apply lubricant.

**Problem:** Your new Liberty hose reel is leaking at the swivel.

**Solution:** Apply Teflon/Plumber's Tape on the threads or/and make sure fixtures are tightened. It is normal for the swivel to leak slightly until the O-rings are wet and have seated. If the leaking continues, try these steps: **(It is not necessary to return the hose reel)**

1. If the leader hose is attached to the swivel, unscrew the hose and look inside the swivel.
2. Check that the hose washer is inside the nut. You may contact Liberty Garden Products for a new hose washer or obtain one at any hardware store.
3. We recommend applying a silicone lubricant to the O-rings seasonally to prevent dry rotting. (To do this remove leader hose and insert lubricant nozzle into the brass swivel.)
4. If your swivel is old, the O-rings may be worn, please contact us for a new set of O-rings.
5. If these steps do not solve your leaking problem, contact Liberty Garden Product's customer service.

