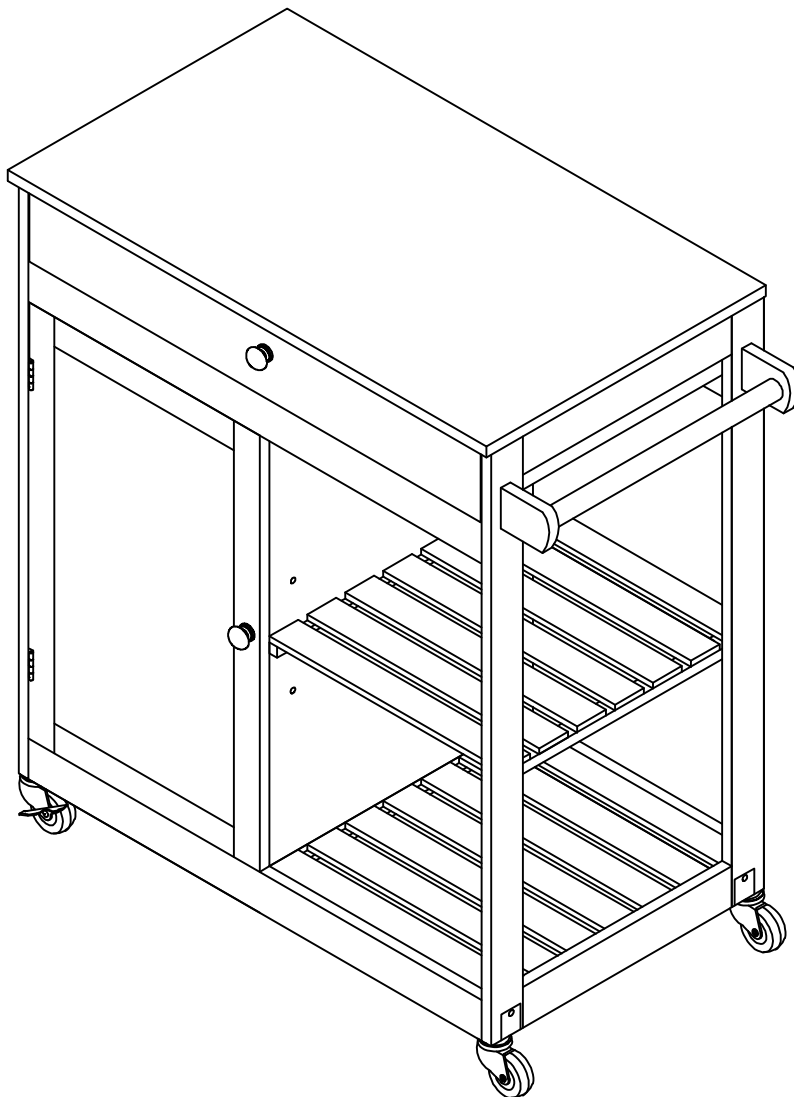


## Assembly Instruction Kitchen Cart



Carefully unpack and identify each component before beginning assembly. Before you begin, please refer to parts list to make sure that you have all parts. Please take care when assembling the unit and always place the parts on a clean, soft surface. If you require assistance with assembly or parts, please call 888-357-7263.

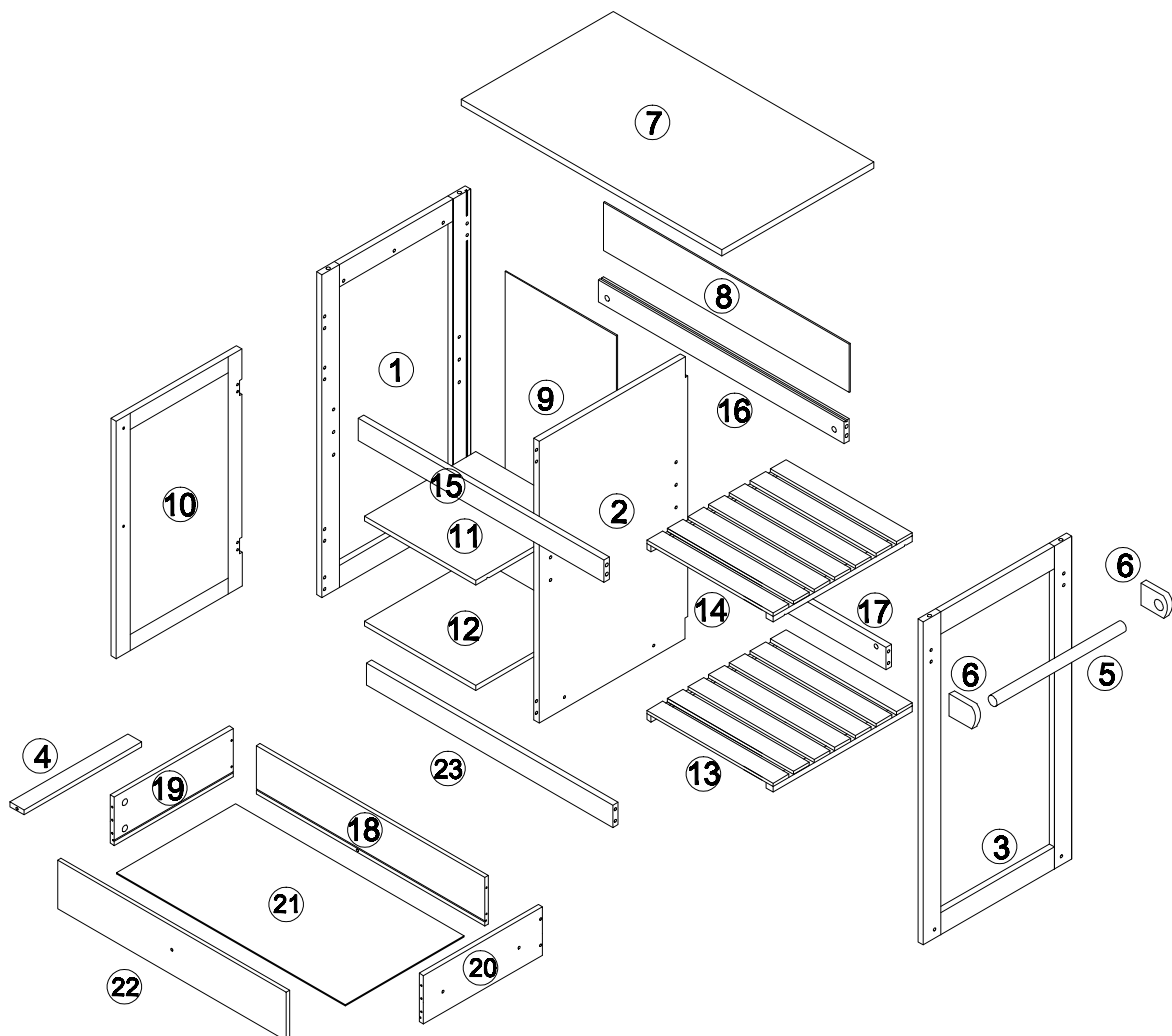
Get social with us and discover more about our products, tips and exclusive discounts!



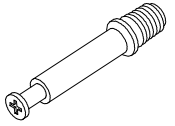

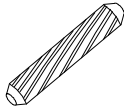
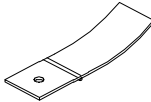
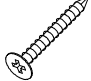

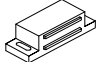

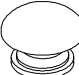

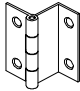


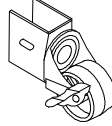
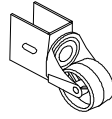

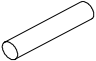

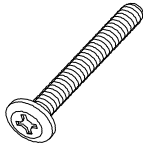



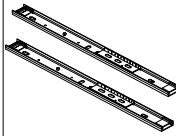
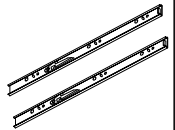
## PRE-ASSEMBLY PREPARATION

- **CAUTION:** Assembly will require at least 2 adults.  
DO NOT use power tools. To prevent serious injury or death, this product is equipped with a wall anchoring system. Before this product can be used, the wall anchoring system must be installed as directed in the assembly instructions.
- **CARE AND CLEANING:** DO NOT scratch or chip the finish. DO NOT use abrasive chemicals for cleaning. Clean with mild soap on a soft rag. Rinse and dry thoroughly.
- **MAINTENANCE:** Check bolts/screws periodically and tighten if necessary.
- **WARNING:** DO NOT USE if this product become damaged, and/or components are broken or missing.
- **REMINDER:** Please DO NOT fully tighten all bolts until metal frame assembly is complete.






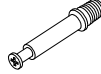
## Explosive View

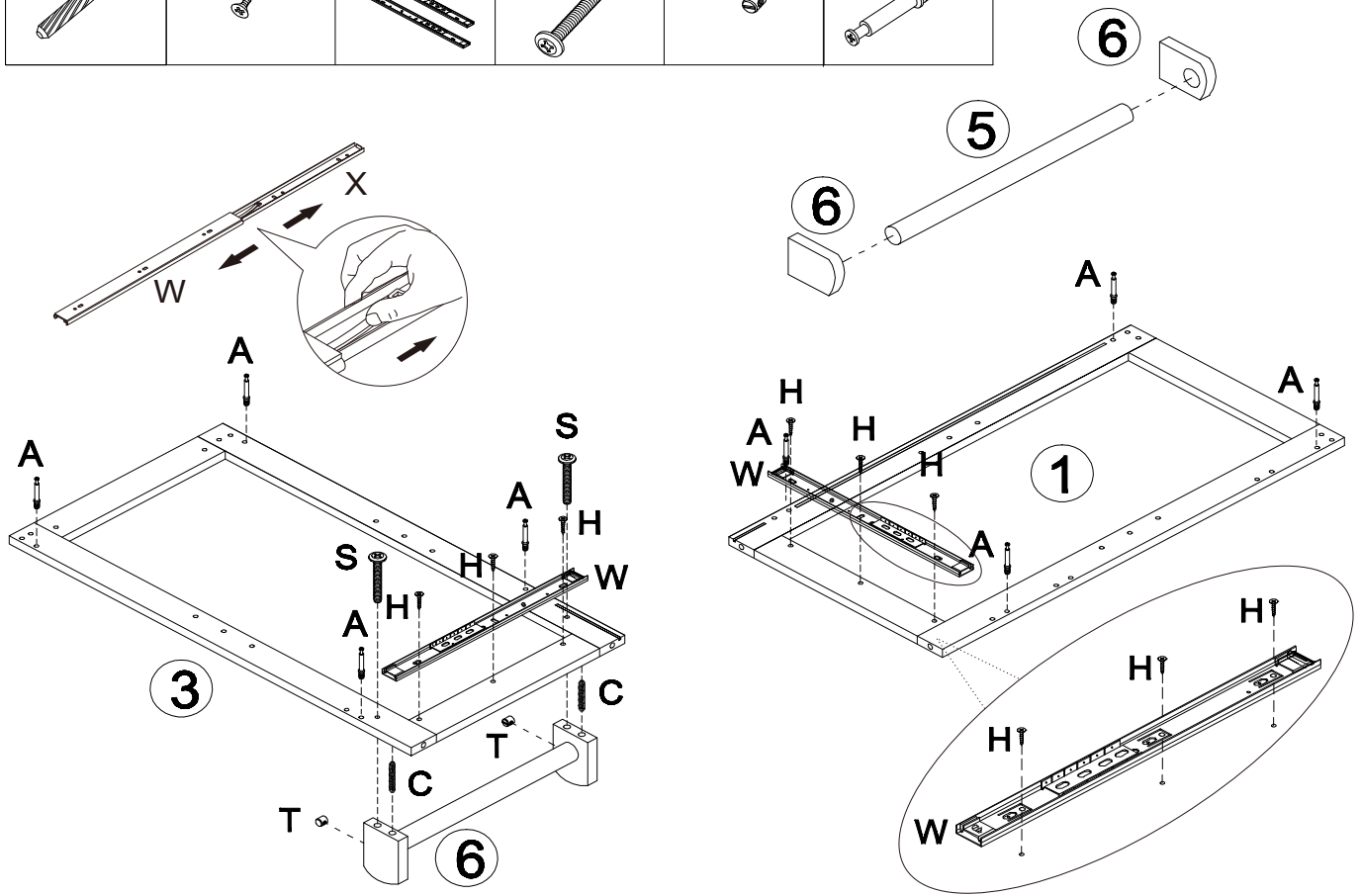


<b>1</b>	<b>1pc</b>	<b>2</b>	<b>1pc</b>
<b>5</b>	<b>1pc</b>	<b>6</b>	<b>2pcs</b>
<b>9</b>	<b>1pc</b>	<b>10</b>	<b>1pc</b>
<b>13</b>	<b>1pc</b>	<b>14</b>	<b>1pc</b>
<b>17</b>	<b>1pc</b>	<b>18</b>	<b>1pc</b>
<b>21</b>	<b>1pc</b>	<b>22</b>	<b>1pc</b>
		<b>23</b>	<b>1pc</b>

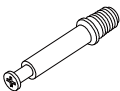


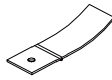

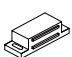

							
		D8x30mm		D4x35mm	D3x14mm		D3x12mm
A 21pcs	B 21pcs	C 14pcs	D 1pc	E 5pcs	F 8pcs	G 1pc	H 22pcs
							
			D4x25mm				D6x25mm
I 2pcs	J 1pc	K 2pcs	L 2pcs	M 1pc	N 2pcs	O 2pcs	P 4pcs
							
	D3x12mm	D6x50mm					
Q 16pcs	R 3pcs	S 2pcs	T 2pcs	U 4pcs	V 6pcs	W 1pc	X 1pc

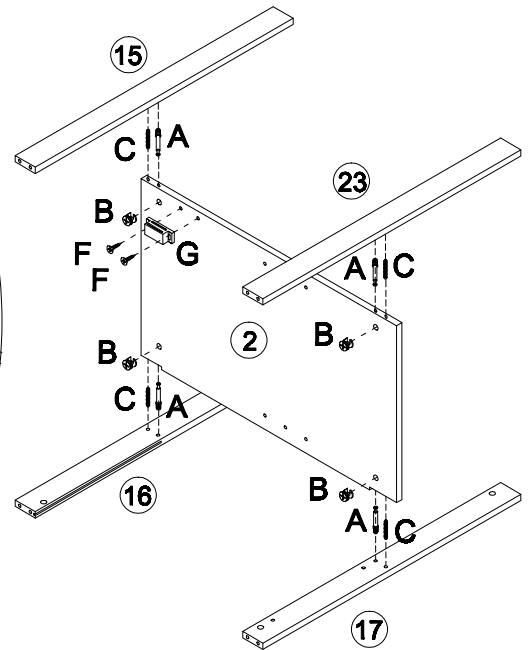
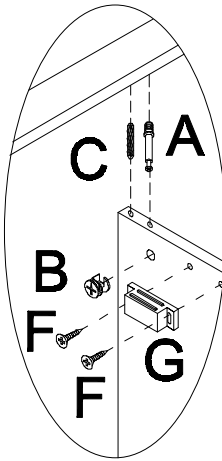
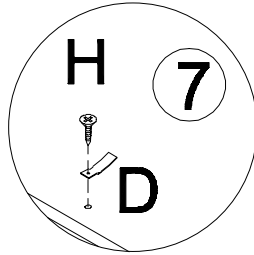
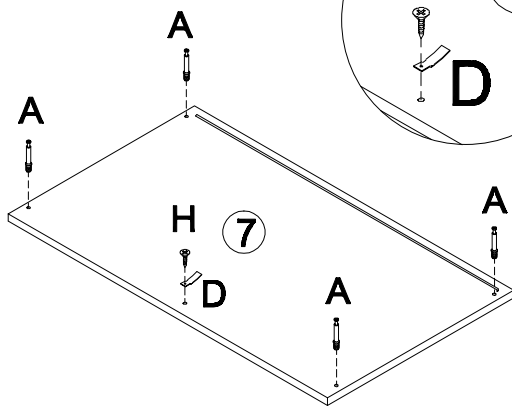
Step 01

C x2	H x6	W x1	S x2	T x2	A x8
					




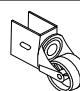





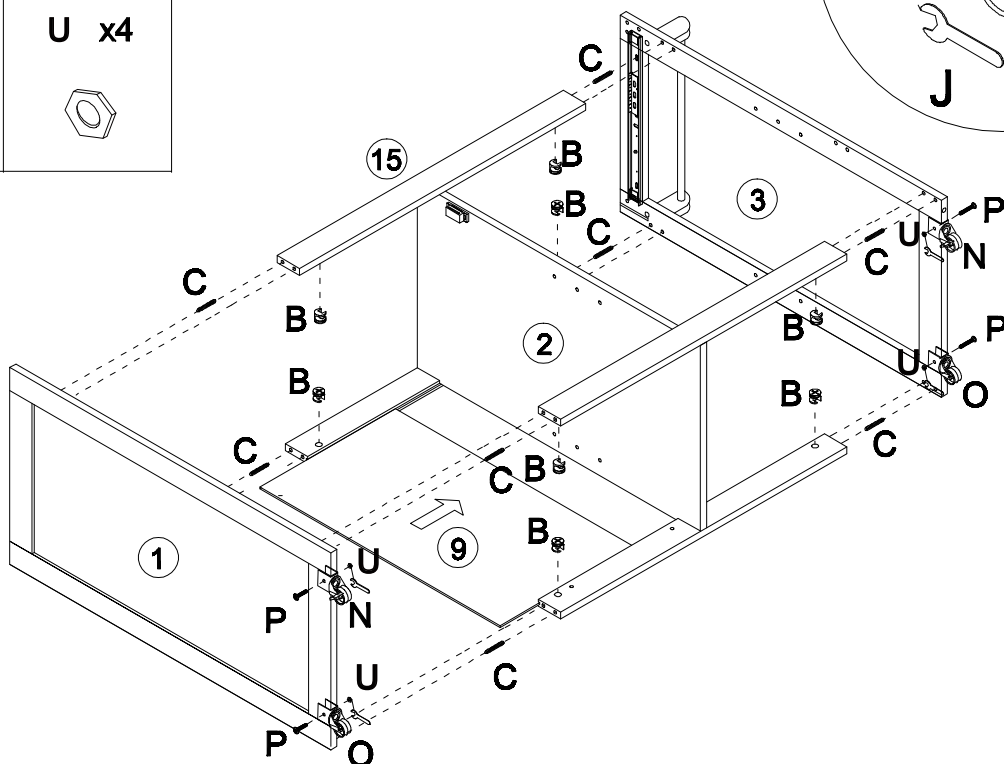
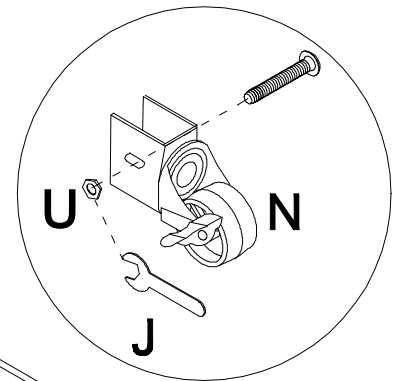
### Step 02

A x8	B x4	C x4	D x1	H x1
				
G x1	F x2			
				

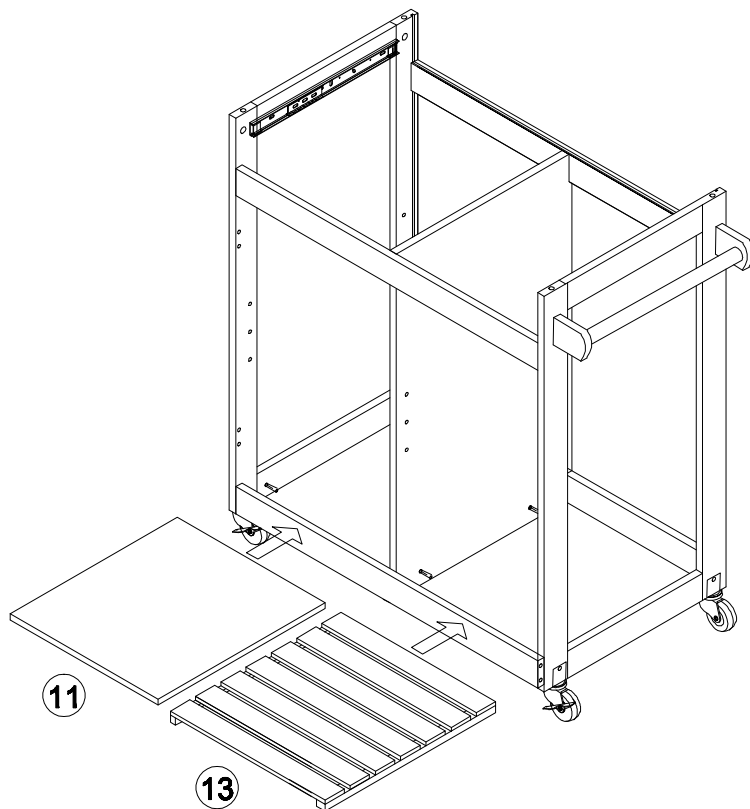
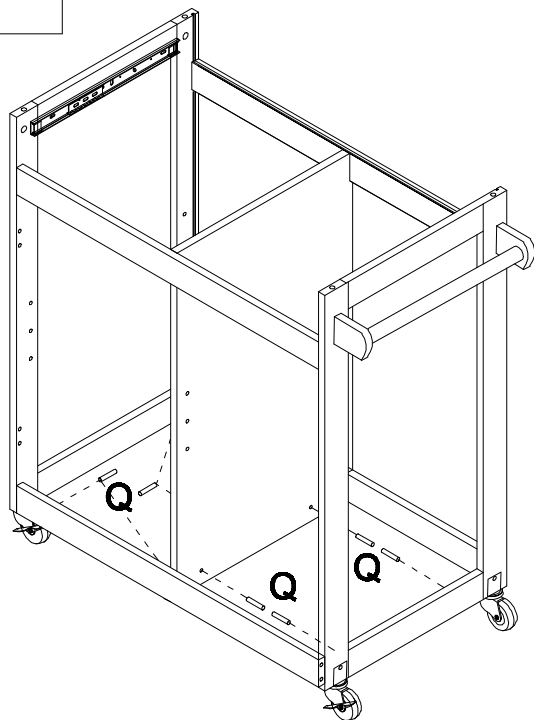
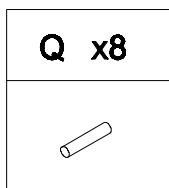


### Step 03

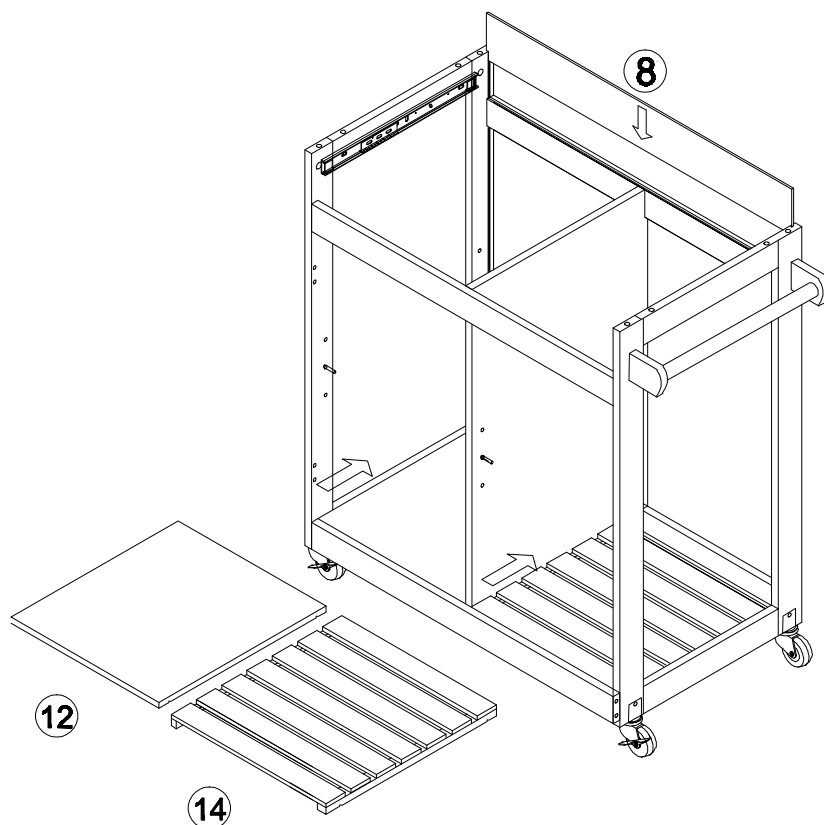
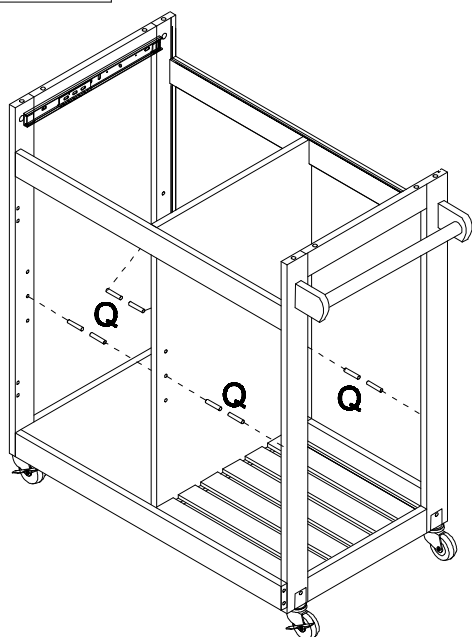
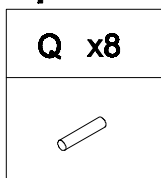
B x8	C x8	N x2	O x2	J x1
				
P x4	U x4			
				



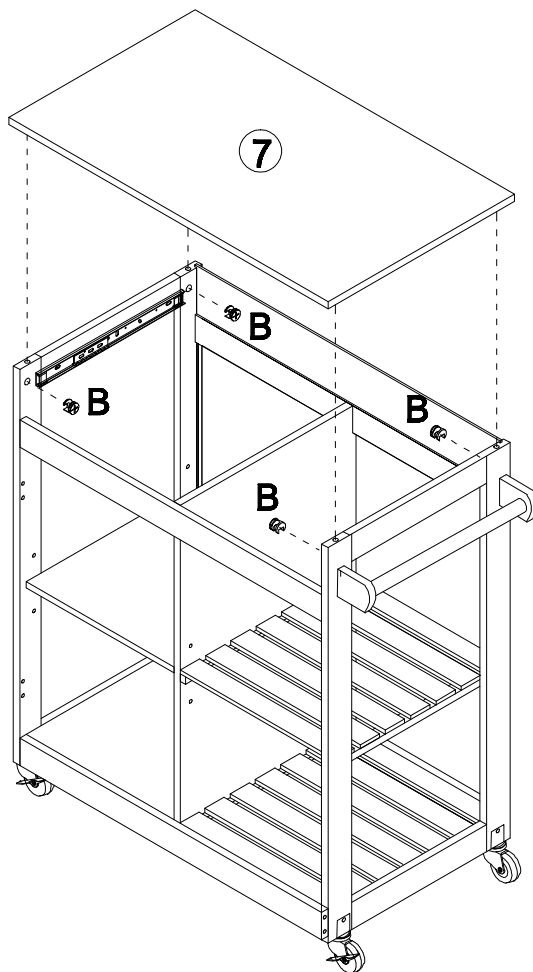
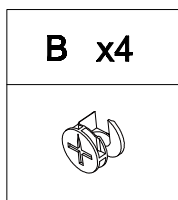
### Step 04






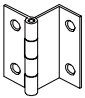

### Step 05

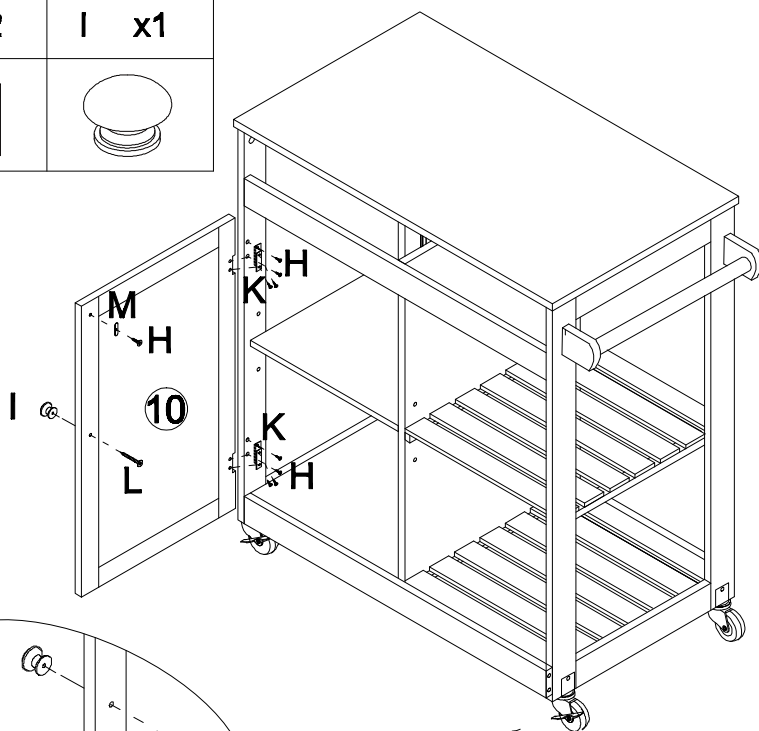
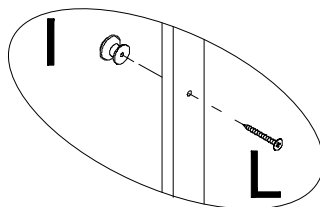
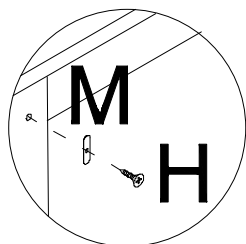
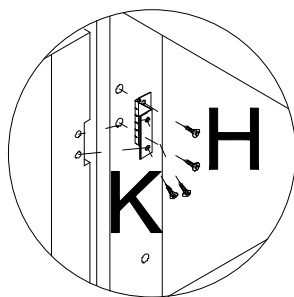


## Step 06

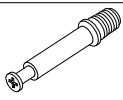





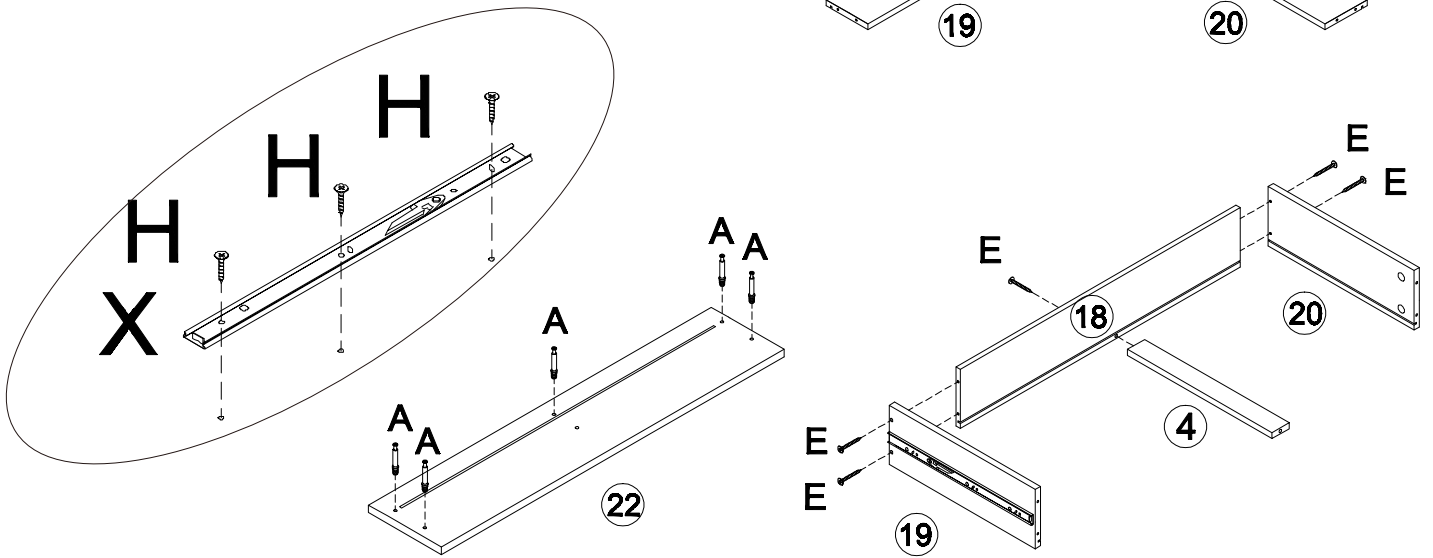
## Step 07

<b>H x9</b>	<b>L x1</b>	<b>M x1</b>	<b>K x2</b>	<b>I x1</b>
				








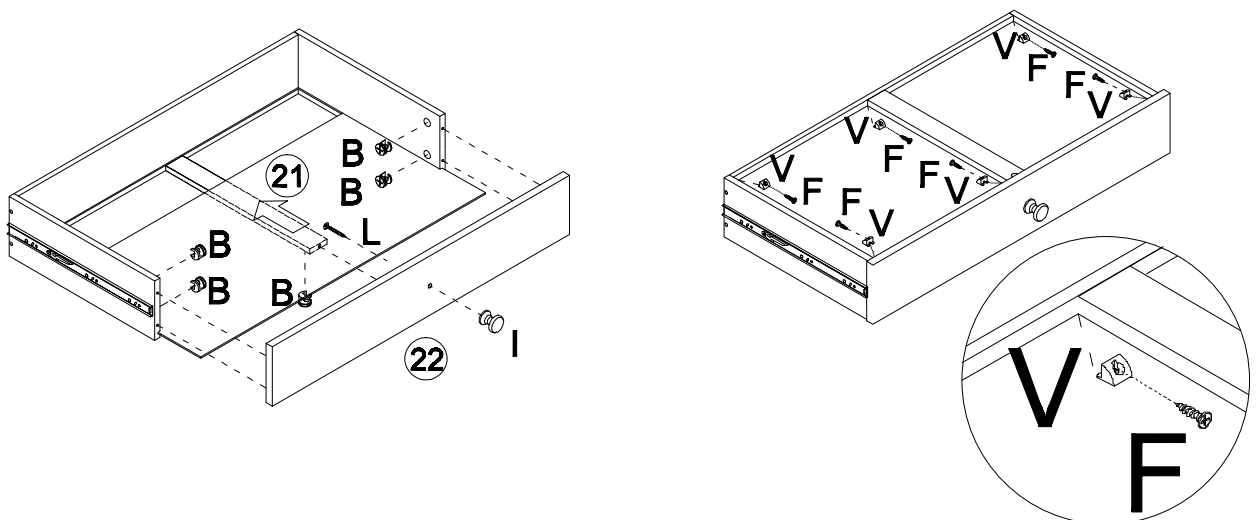
## Step 08

<b>A x5</b>	<b>E x5</b>	<b>H x6</b>	<b>X x1</b>
			



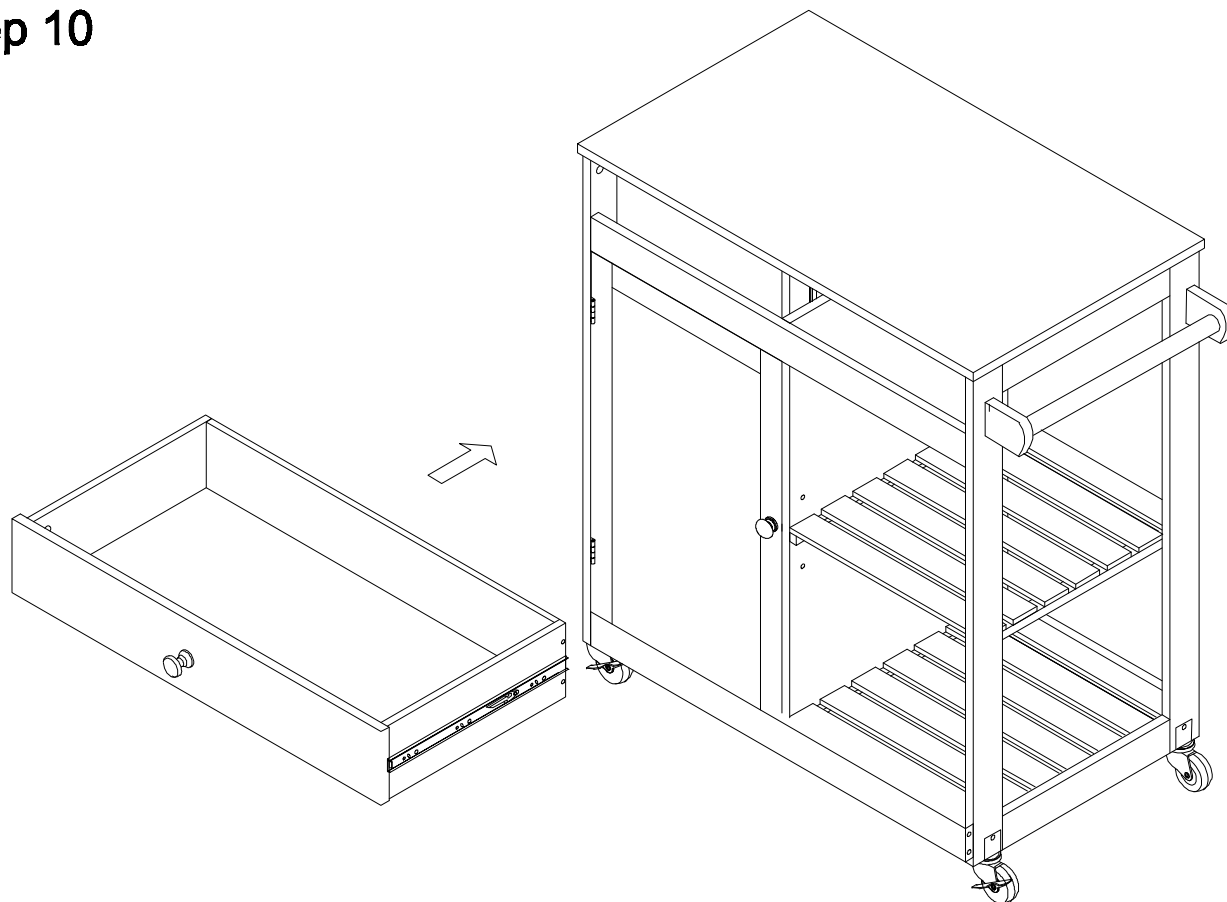
## Step 09

<b>B x5</b>	<b>F x6</b>	<b>L x1</b>	<b>I x1</b>	<b>V x6</b>
				





## Step 10



## Step 11

