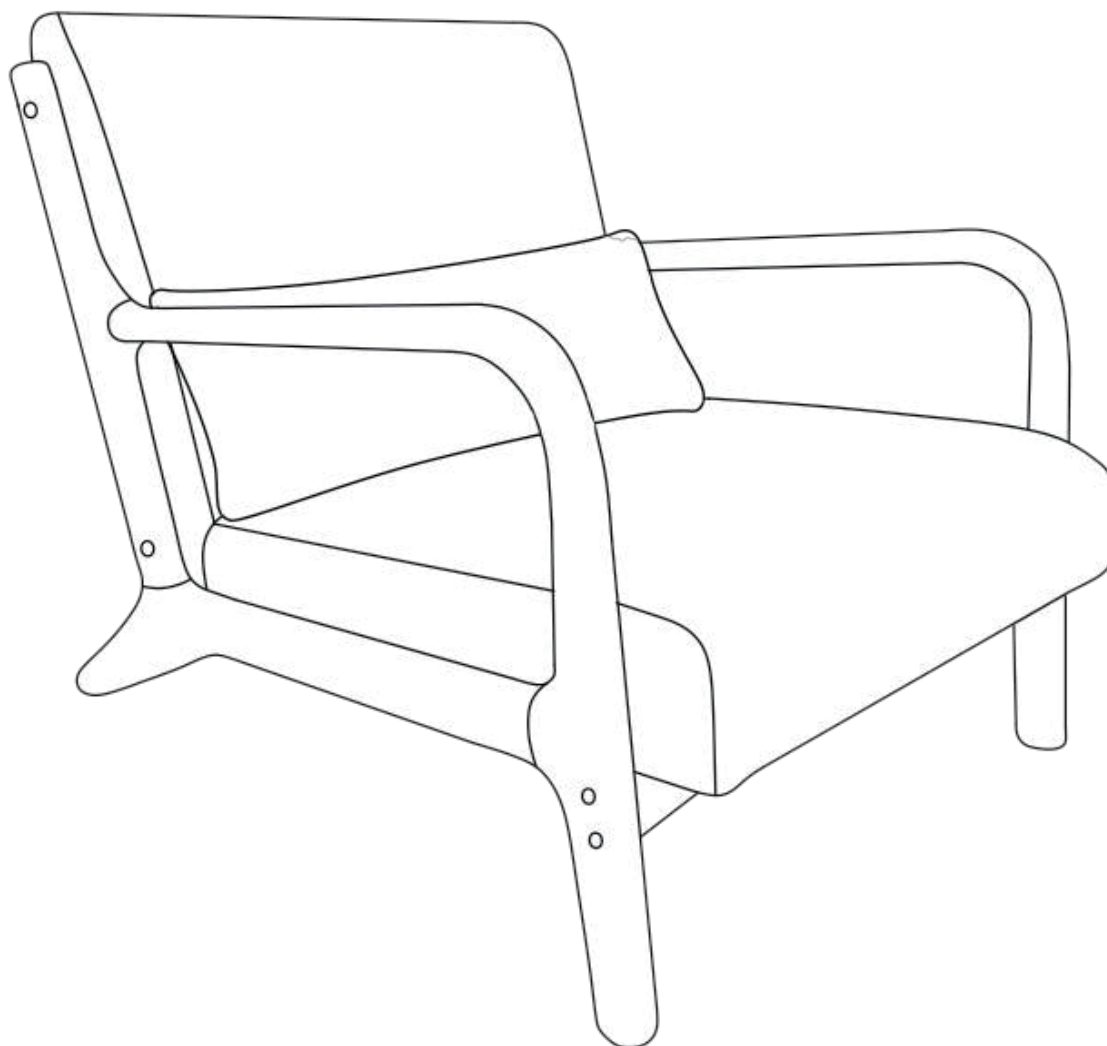


Assembly Instruction

ACCENT CHAIR



Carefully unpack and identify each component before beginning assembly. Before you begin, please refer to parts list to make sure that you have all parts. Please take care when assembling the unit and always place the parts on a clean, soft surface.

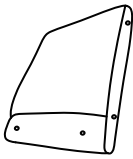
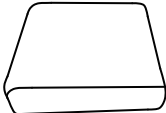
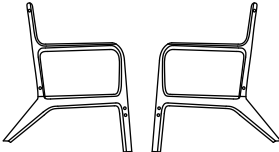
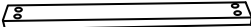
Get social with us and discover more about our products, tips and exclusive discounts!




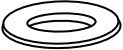


PRE-ASSEMBLY PREPARATION

- **CAUTION:** Assembly will require at least 2 adults. DO NOT use power tools. Please inspect all items BEFORE assembly. If for any reason you need to return this item, please kindly return it in it's original packaging.
- **WARNING!**
 1. DO NOT let any sharp objects touch or rub the surface of the product.
 2. When assembling, do not let children play around the working area.
 3. DO NOT tighten all bolts and screws completely until the entire unit has been assembled and set up.
 4. DO NOT USE if this product become damaged, and/or components are broken or missing.
- **CARE AND CLEANING:** DO NOT scratch or chip the finish. DO NOT use abrasive chemicals for cleaning. Clean with mild soap on a soft rag. Rinse and dry thoroughly.
- **MAINTENANCE:** Please periodically check all fittings and re-tighten as necessary.

PARTS LIST

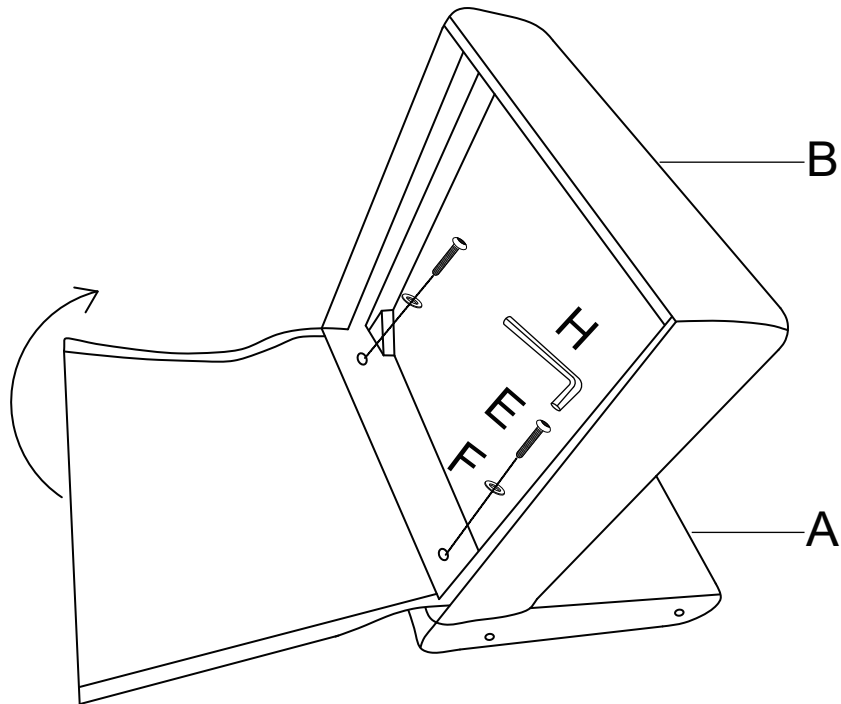
<p>BACK (A)</p>  <p>Qty: 1</p>	<p>SEAT (B)</p>  <p>Qty: 1</p>	<p>CHAIR FRAME (C)</p>  <p>Qty: 2</p>	<p>FRONT RAIL (D)</p>  <p>Qty: 1</p>
--	---	--	---

HARDWARE LIST

<p>ALLEN BOLT (E) M8 x 55MM</p>  <p>Qty: 10</p>	<p>FLAT WASHER (F)</p>  <p>Qty: 2</p>	<p>GASKET (G)</p>  <p>Qty: 4</p>	<p>ALLEN WRENCH (H)</p>  <p>Qty: 1</p>
--	--	--	---

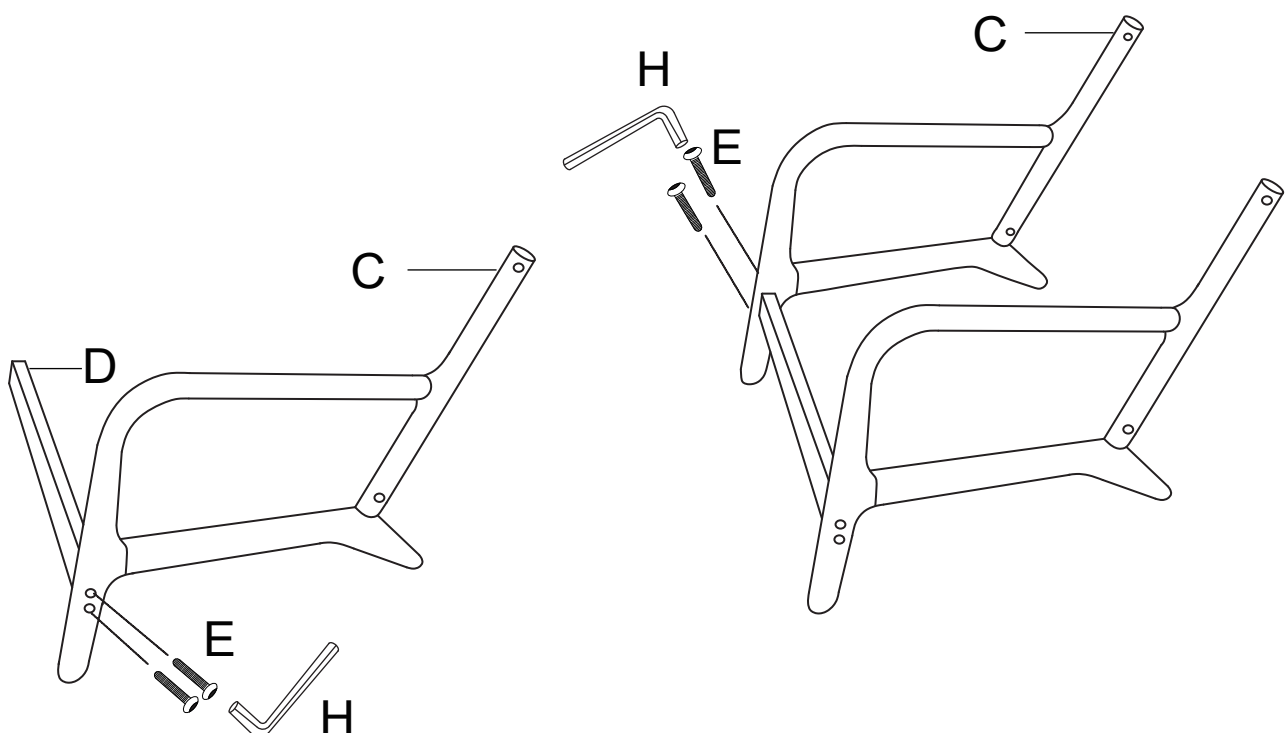
STEP 1

Open the Non-woven fabric cover at the back of Seat (A) as shown in below diagram, then attach the Seat (B) to the Back (A) by using Flat Washer (F), Allen Bolt (E) and Allen Key (H).



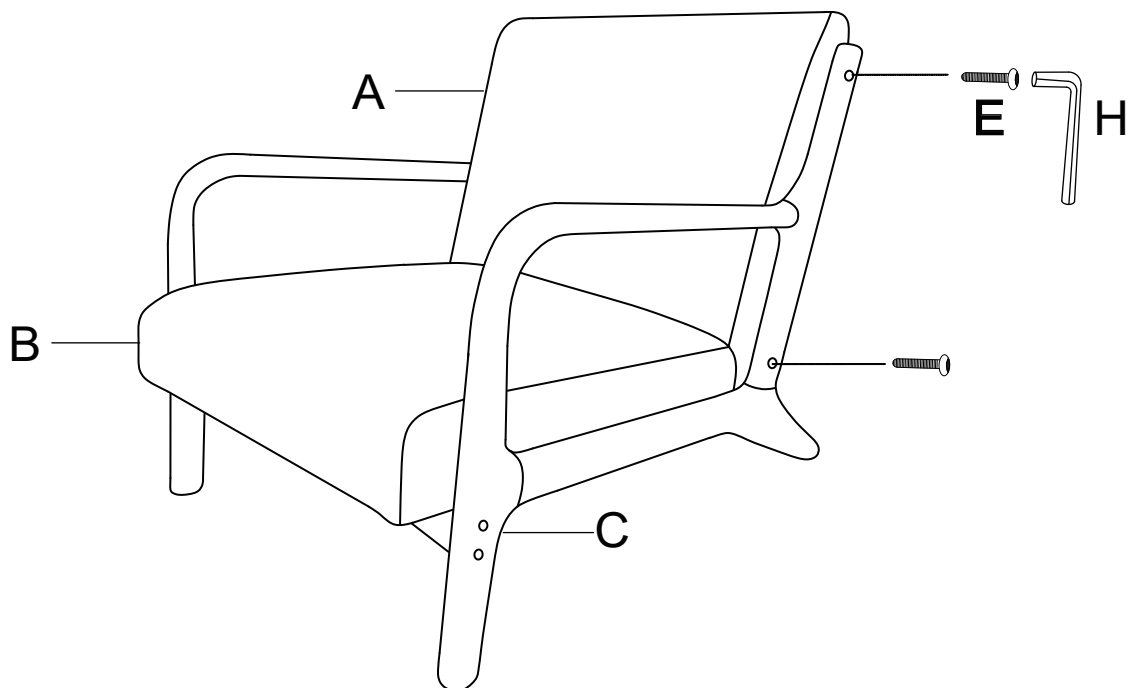
STEP 2

Attach the Front Rail (D) to the Chair Frames (C) by using Allen Bolt (E) and Allen Key (H) from two sides as shown in below diagram.



STEP 3

Attach the Chair Frame (C) to the Back (A) by using Allen Bolt (E) and Allen Key (H) from two sides as shown in below diagram.



STEP 4

Glue the Gasket (G) to the bottom of legs as shown in below diagram.
A few days after initial assembly, the product may acclimate to its new environment.
Please ensure all screws are still securely tightened.

