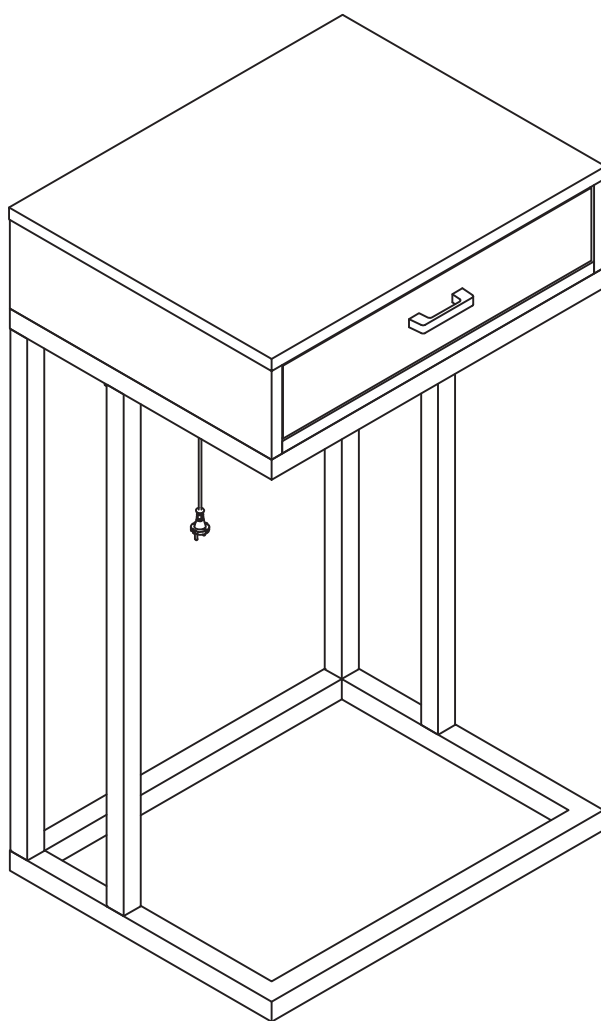


# Assembly Instruction

## C SIDE TABLE W/CHARING



Carefully unpack and identify each component before beginning assembly. Before you begin, please refer to parts list to make sure that you have all parts. Please take care when assembling the unit and always place the parts on a clean, soft surface.

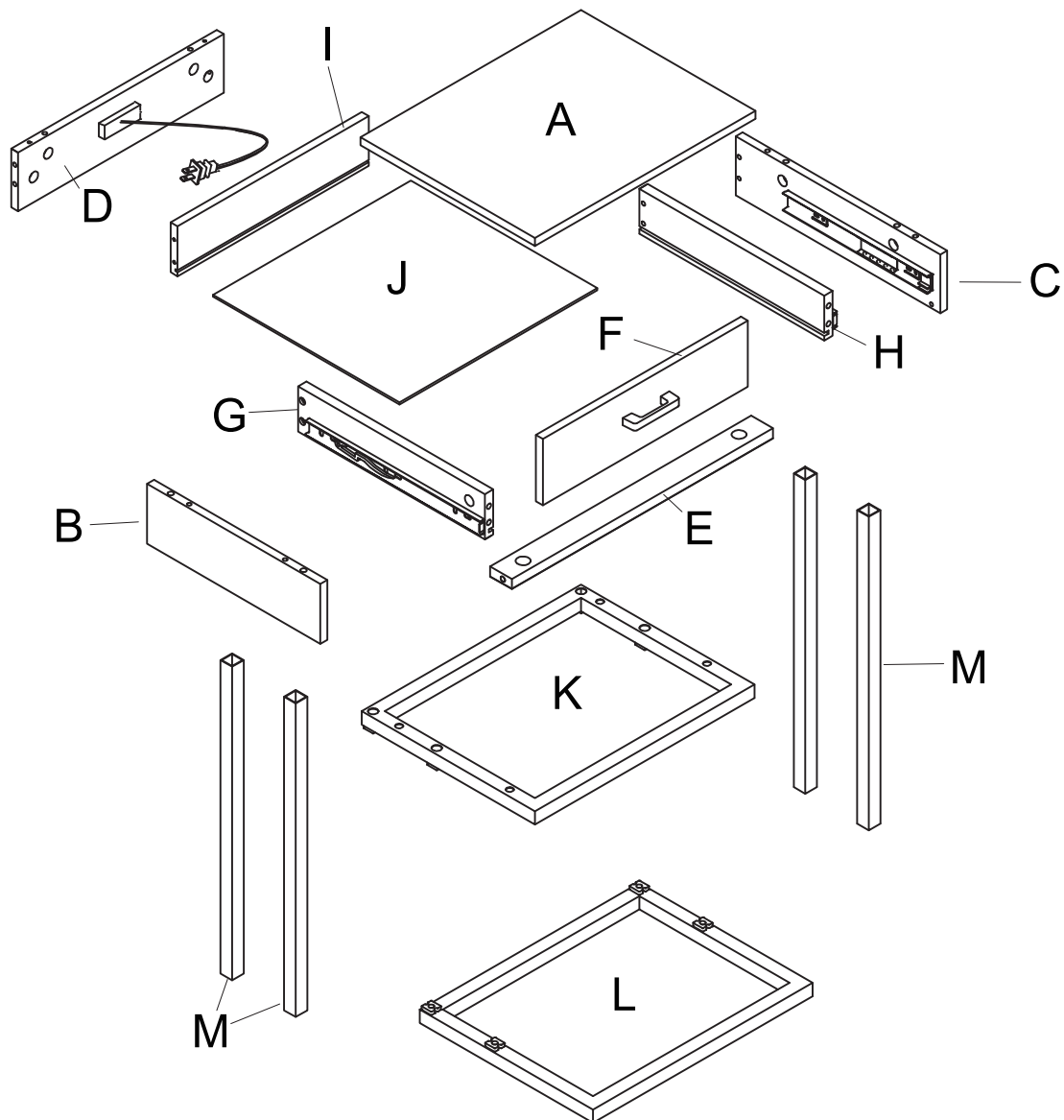
Get social with us and discover more about our products, tips and exclusive discounts!



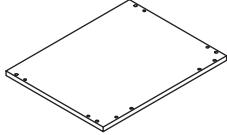
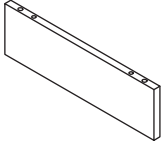
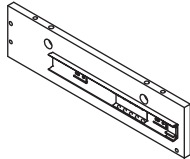
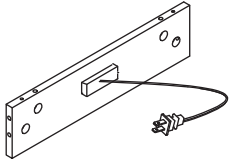
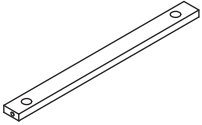
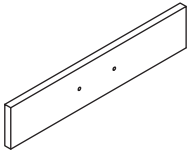
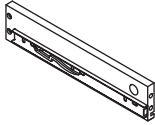
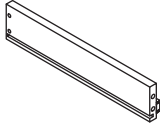

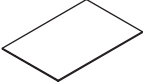
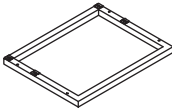
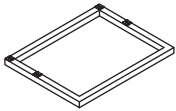
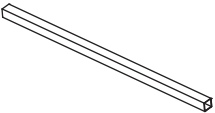
## PRE-ASSEMBLY PREPARATION

- **CAUTION:** Assembly will require at least 2 adults. DO NOT use power tools. Please inspect all items BEFORE assembly. If for any reason you need to return this item, please kindly return it in it's original packaging.
- **WARNING!**
  1. DO NOT let any sharp objects touch or rub the surface of the product.
  2. When assembling, do not let children play around the working area.
  3. DO NOT tighten all bolts and screws completely until the entire unit has been assembled and set up.
  4. DO NOT USE if this product become damaged, and/or components are broken or missing.
- **CARE AND CLEANING:** DO NOT scratch or chip the finish. DO NOT use abrasive chemicals for cleaning. Clean with mild soap on a soft rag. Rinse and dry thoroughly.
- **MAINTENANCE:** Please periodically check all fittings and re-tighten as necessary.

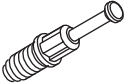

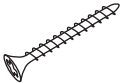


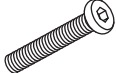

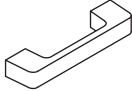
## Explosive View


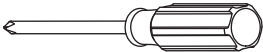



**PARTS LIST**

<p>TOP PANEL (A)</p>  <p>Qty: 1</p>	<p>LEFT PANEL (B)</p>  <p>Qty: 1</p>	<p>RIGHT PANEL (C)</p>  <p>Qty: 1</p>	<p>BACK PANEL (D)</p>  <p>Qty: 1</p>
<p>FRONT BOTTOM CROSS BAR (E)</p>  <p>Qty: 1</p>	<p>DRAWER FRONT PANEL (F)</p>  <p>Qty: 1</p>	<p>DRAWER LEFT PANEL (G)</p>  <p>Qty: 1</p>	<p>DRAWER RIGHT PANEL (H)</p>  <p>Qty: 1</p>
<p>DRAWER BACK PANEL (I)</p>  <p>Qty: 1</p>	<p>DRAWER BOTTOM PANEL (J)</p>  <p>Qty: 1</p>	<p>TOP FRAME (K)</p>  <p>Qty: 1</p>	<p>BOTTOM FRAME (L)</p>  <p>Qty: 1</p>
<p>VERTICAL TUBE (M)</p>  <p>Qty: 4</p>			

**HARDWARE LIST**

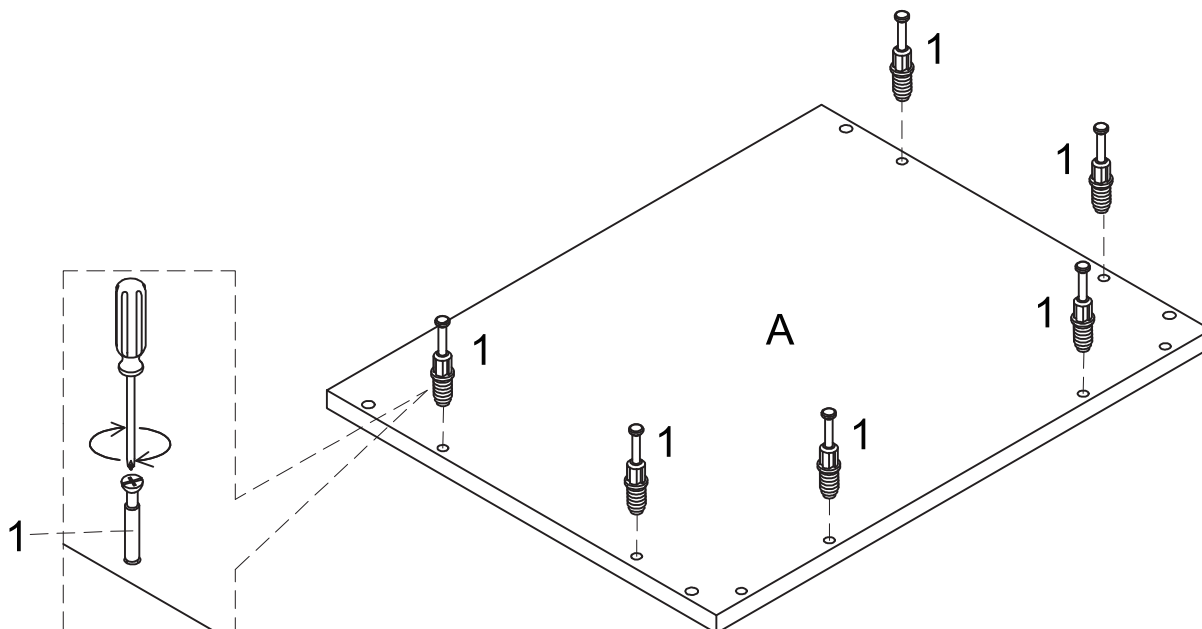
<p>CAM (1)</p>  <p>Qty: 12</p>	<p>CAM LOCK (2) Ø15*9mm</p>  <p>Qty: 12</p>	<p>PHILLIPS SCREW (3) Ø4*37mm</p>  <p>Qty: 8</p>	<p>ALLEN BOLT (4) M4*18mm</p>  <p>Qty: 2</p>
<p>WOOD DOWEL (5) Ø6*20mm</p>  <p>Qty: 10</p>	<p>ALLEN BOLT (6) M6*30mm</p>  <p>Qty: 8</p>	<p>CAP (7) Ø15*Ø13.5*8mm</p>  <p>Qty: 4</p>	<p>HANDLE (8) 12*22*90mm</p>  <p>Qty: 1</p>


<p>ALLEN WRENCH (9)</p>  <p>Qty: 1</p>	<p>NOT INCLUDED</p> 		
---	---	--	--

REQUIRED HARDWARE IN THIS STEP			
NO.	DESCRIPTION	SKETCH	QTY
1	CAM		6PCS

### STEP 1

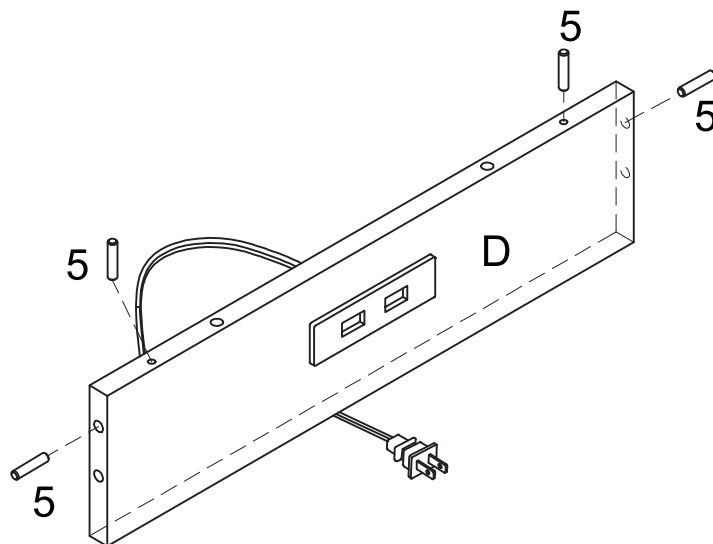
Insert the cam (1) into top panel (A) by using screwdriver.

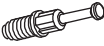



REQUIRED HARDWARE IN THIS STEP			
NO.	DESCRIPTION	SKETCH	QTY
5	WOOD DOWEL 6*20mm		4PCS

**STEP 2**

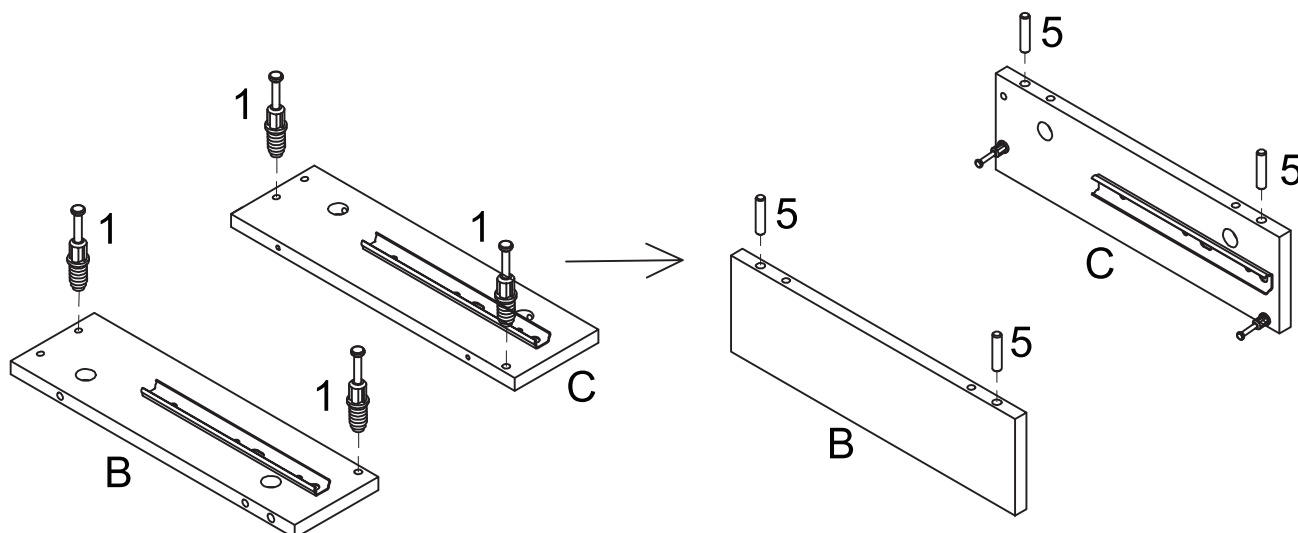
Insert the wood dowel (5) into the back panel (D).




REQUIRED HARDWARE IN THIS STEP			
NO.	DESCRIPTION	SKETCH	QTY
1	CAM		4PCS
5	WOOD DOWEL Ø6*20MM		4PCS

**STEP 3**

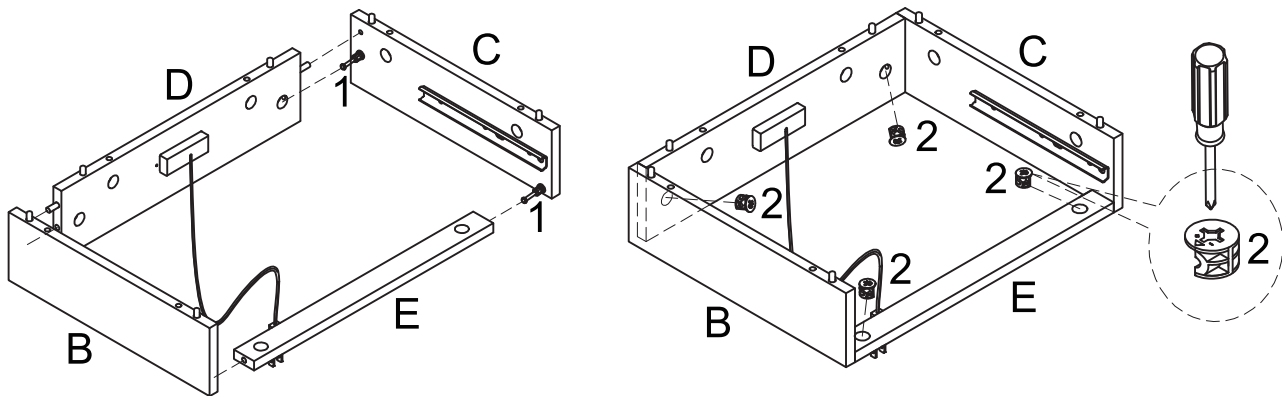
Insert cam (1) into left panel (B) and right panel (C). Insert wood dowel (5) into left panel (B) and right panel (C).




REQUIRED HARDWARE IN THIS STEP			
NO.	DESCRIPTION	SKETCH	QTY
2	CAM LOCK Ø15*9MM		4PCS

### STEP 4

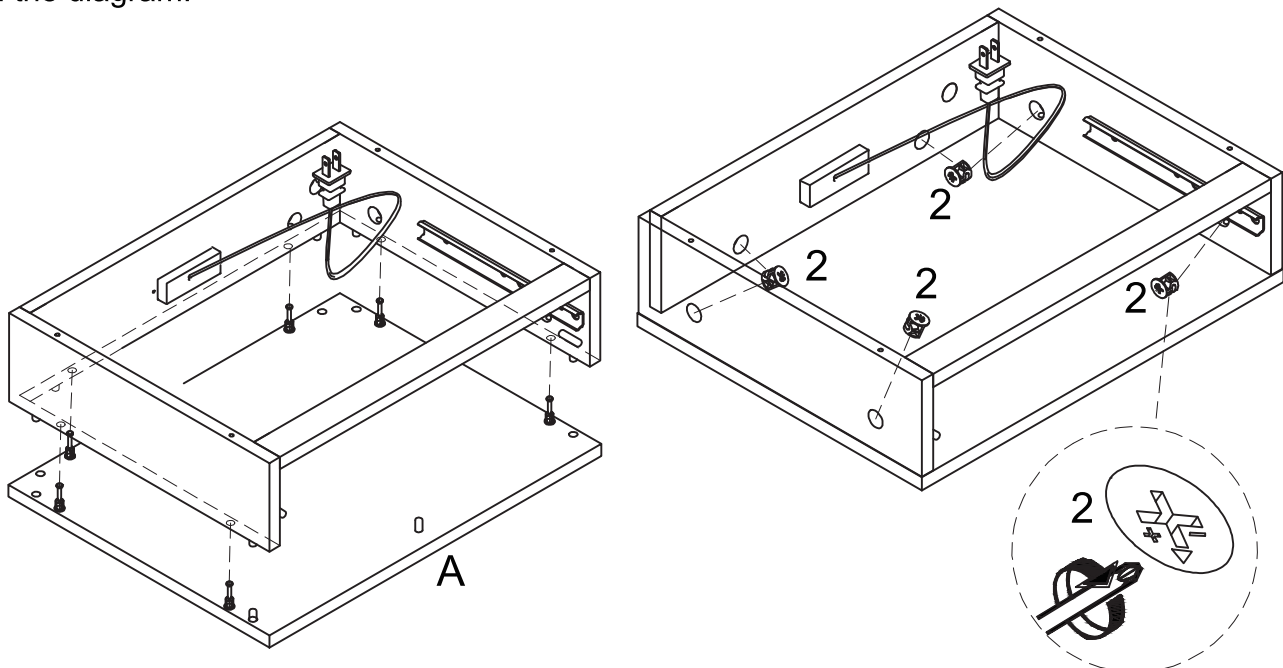
Assemble left panel (B) & right panel (C) & back panel (D) & front bottom cross bar (E) together with cam lock (2) by using screwdriver.

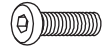



REQUIRED HARDWARE IN THIS STEP			
NO.	DESCRIPTION	SKETCH	QTY
2	CAM LOCK Ø15*9MM		6PCS

### STEP 5

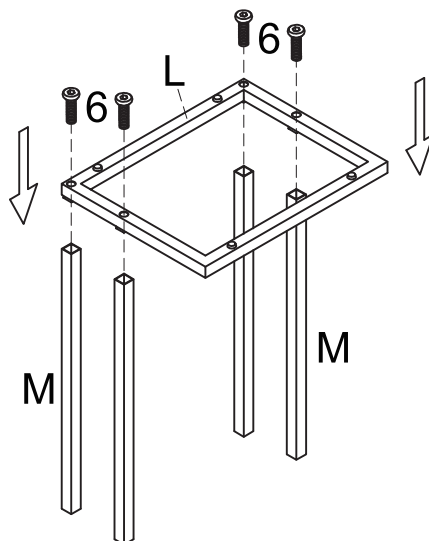
Assemble the frame box to the top panel (A) with cam lock (2) by using screwdriver as shown in the diagram.





REQUIRED HARDWARE IN THIS STEP			
NO.	DESCRIPTION	SKETCH	QTY
6	ALLEN BOLT M6*30mm		4PCS
9	ALLEN WRENCH		1PC

**STEP 6**

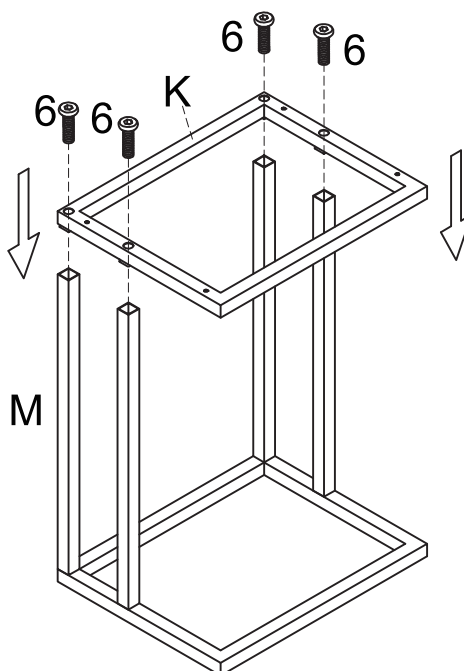
Attach vertical tube (M) to bottom frame (L) with allen bolt (6) using allen wrench (9). Fully tighten bolts.





REQUIRED HARDWARE IN THIS STEP			
NO.	DESCRIPTION	SKETCH	QTY
6	ALLEN BOLT M6*30mm		4PCS
9	ALLEN WRENCH		1PC

**STEP 7**

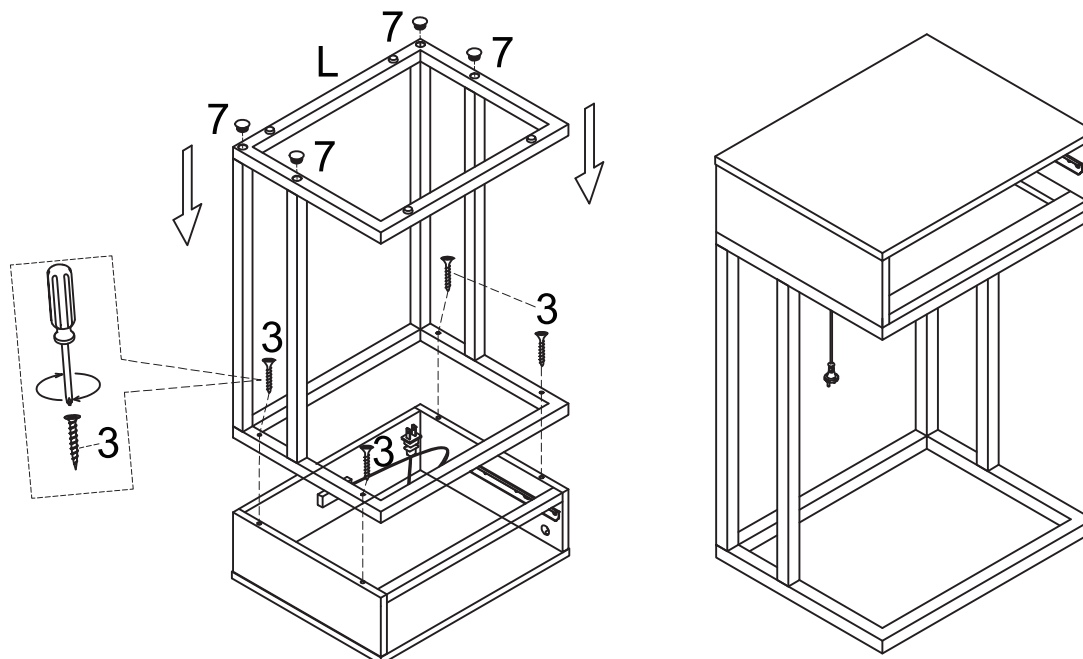
Attach top frame (K) to vertical tube (M) with allen bolt (6) using allen wrench (9). Fully tighten bolts.

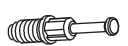




REQUIRED HARDWARE IN THIS STEP			
NO.	DESCRIPTION	SKETCH	QTY
3	PHILLIP SCREW Ø4*37mm		4PCS
7	CAP Ø15*Ø13.5*8mm		4PCS

**STEP 8**

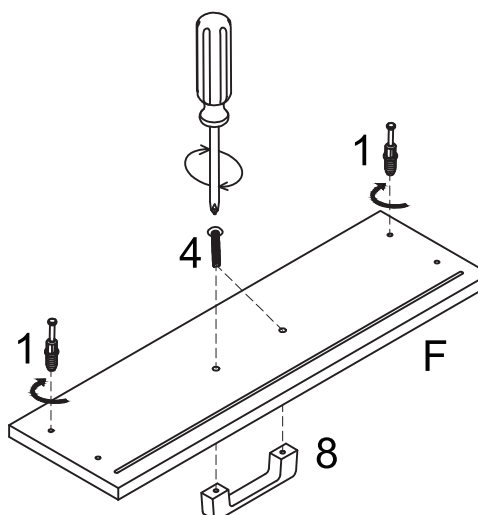
Attach top frame (K) to the bottom of assembled box with phillips screw (3) using screwdriver. Fully tighten screws. Fully insert cap (7) into the holes of bottom frame (L).




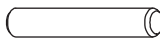
REQUIRED HARDWARE IN THIS STEP			
NO.	DESCRIPTION	SKETCH	QTY
1	CAM		2PCS
4	ALLEN BOLT M4*19MM		2PCS
8	HANDLE 12*22*90MM		1PC

**STEP 9**

Insert cam (1) into drawer front panel as shown in diagram. Attach handle (8) to drawer front panel with allen bolt (4) using screwdriver.



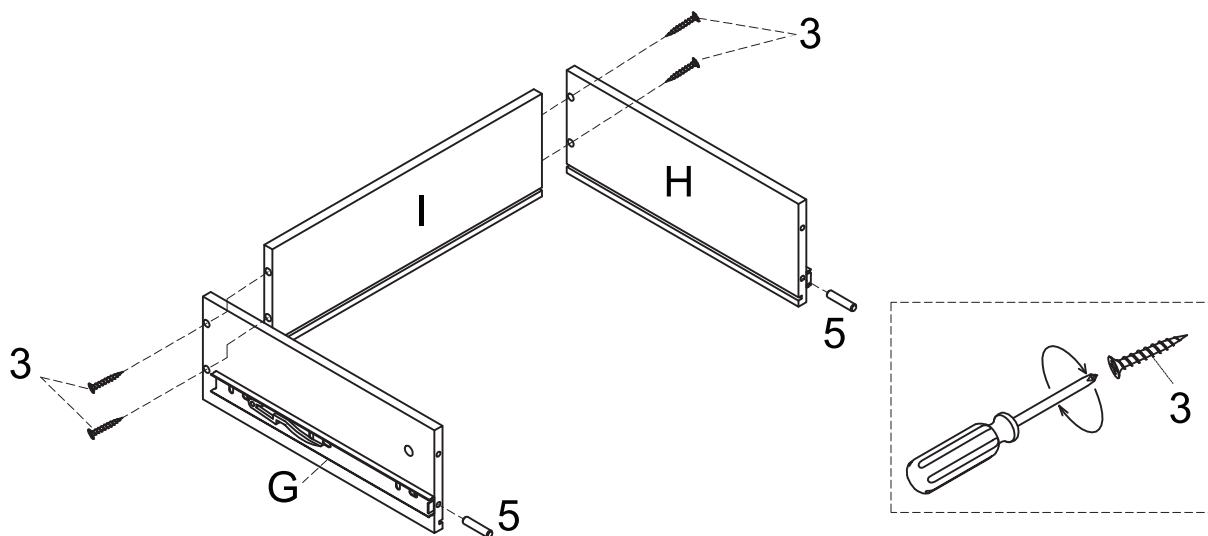


REQUIRED HARDWARE IN THIS STEP			
NO.	DESCRIPTION	SKETCH	QTY
3	PHILLIPS SCREW Ø4*37MM		4PCS
5	WOOD DOWEL Ø6*20MM		2PCS

### STEP 10

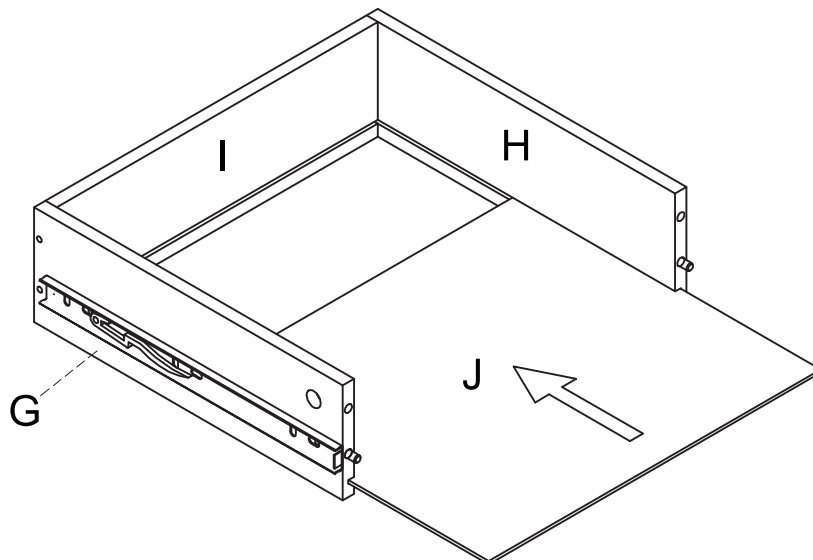
Assemble drawer left panel (G) & drawer right panel (H) & drawer back panel (I) together with phillips screw (3) using screw driver.


Insert wood dowel (5) to drawer left panel (G) and drawer right panel(H)



### STEP 11

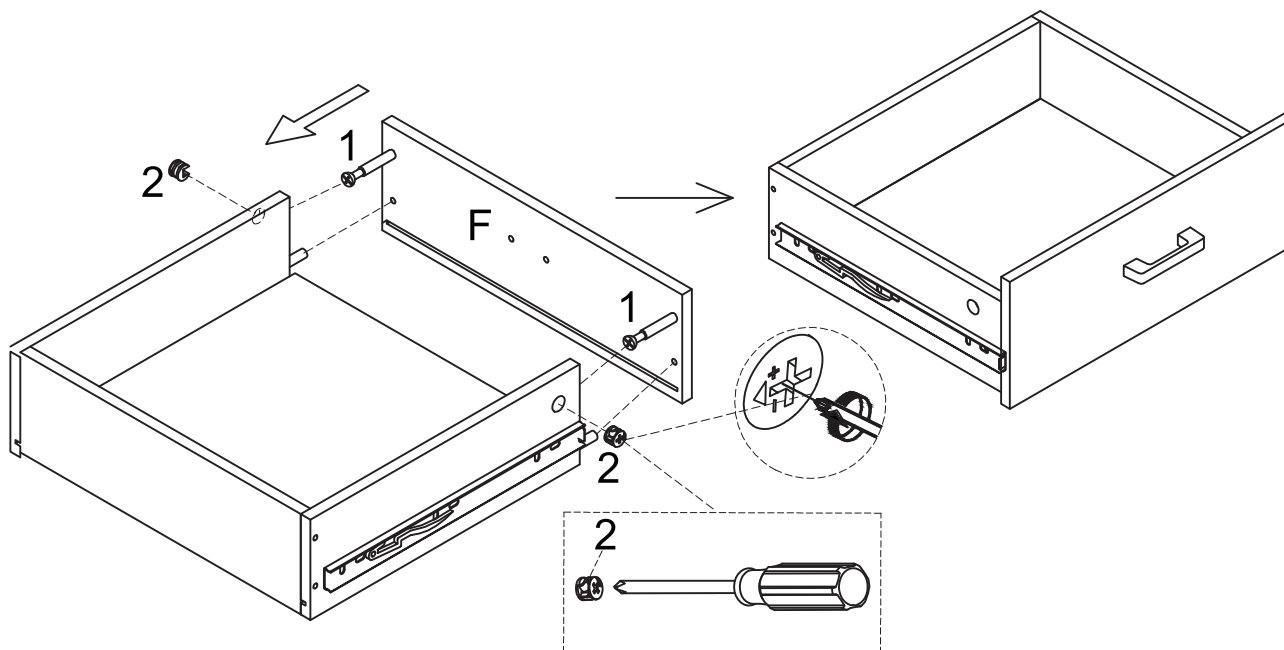
Carefully slide the drawer bottom panel (J) into drawer as shown in the diagram.



REQUIRED HARDWARE IN THIS STEP			
NO.	DESCRIPTION	SKETCH	QTY
2	CAM LOCK Ø15*9MM		2PCS

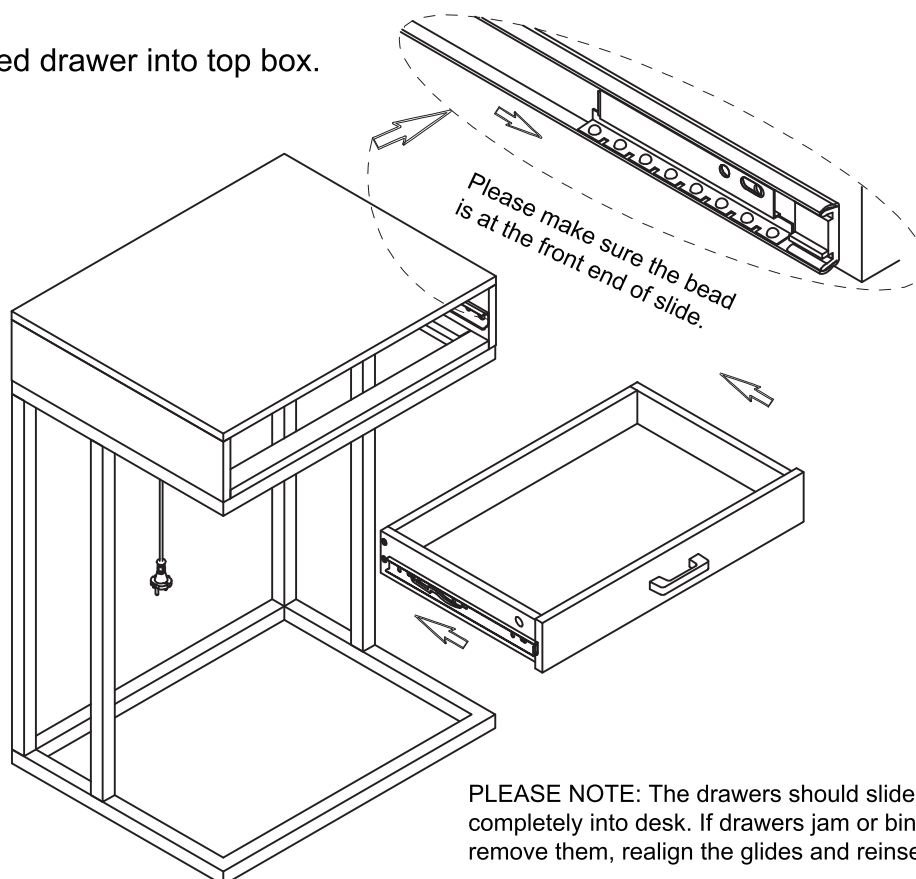
STEP 12

Align the cam (1) with drawer left panel (G) and drawer right panel (H) and slide into place. Insert cam lock (2) into drawer left panel (G) and drawer right panel (H) and fully tighten.



STEP 13

Carefully put the assembled drawer into top box.



PLEASE NOTE: The drawers should slide completely into desk. If drawers jam or bind, remove them, realign the glides and reinsert.

STEP 14

