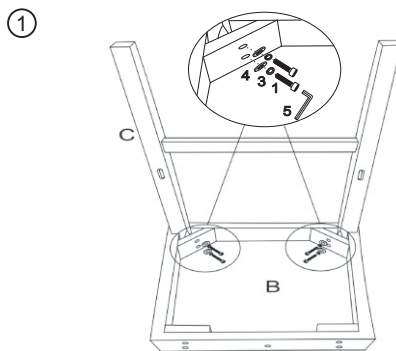
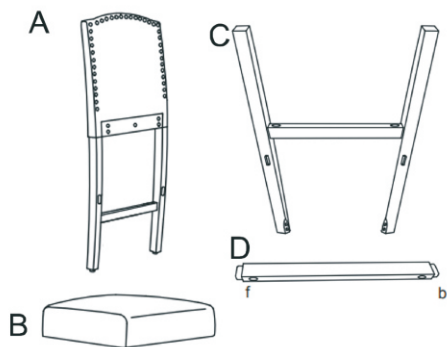
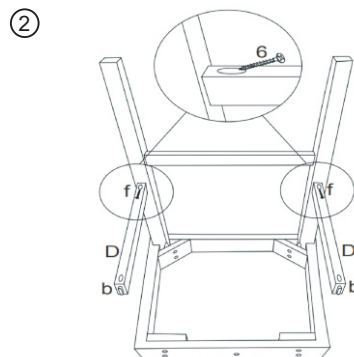


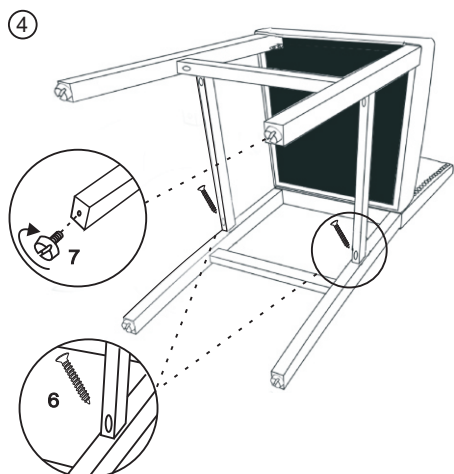
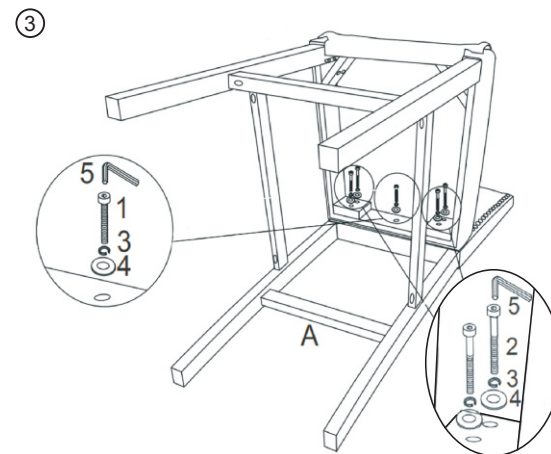
ASSEMBLY INSTRUCTION



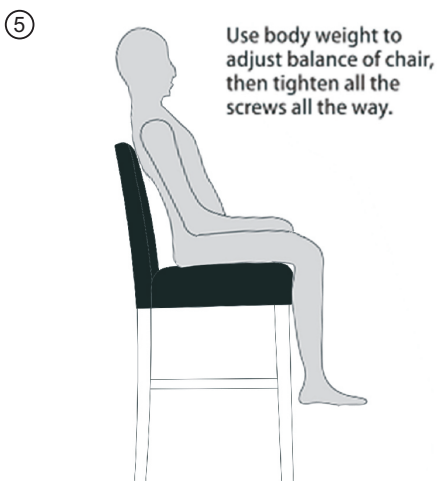
① Insert the screws in the holes, tighten the screws, but not too tight, 90% is OK.



② Insert the screws in the holes, tighten the screws, but not too tight, 90% is OK.



④ Fasten underside cover.



⑥ A few days after initial assembly, the product may acclimate to its new environment. Please ensure all screws are still securely tightened.

HARDWARE LIST	CODE	PARTS	QTY.
	A	BACK	1
	B	SEAT	1
	C	FRONT LEG	1
D	RUNG	2	

HARDWARE LIST	CODE	PARTS	QTY.
	1	M8X60MM	5
	2	M8X80MM	4
	3	FLAT WASHER	9
	4	SPRING WAAHER	9
	5	ALLEN KEY	1
	6	M4X45MM	4
7	ADJUSTING PIN NAILS	4	

* Tool kit is in the seat *

Get social with us and discover more about our products, tips and exclusive discounts!



Visit our YouTube channel for product assembly demonstrations