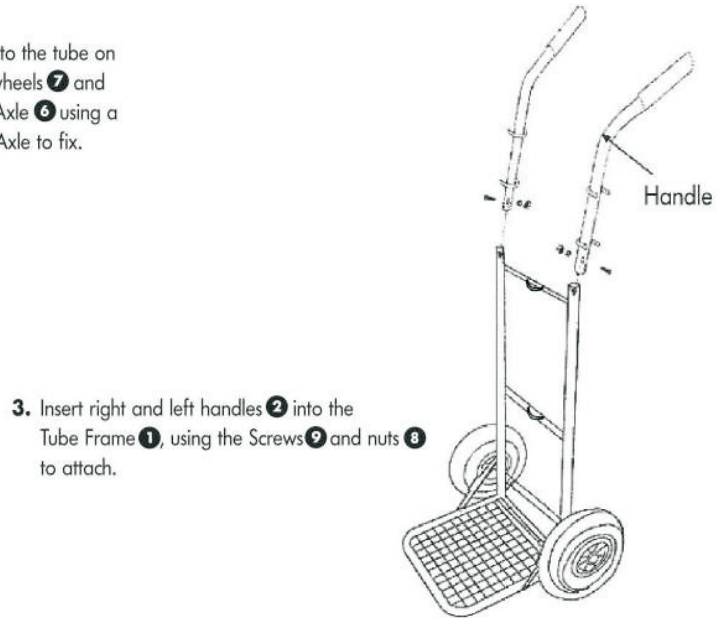
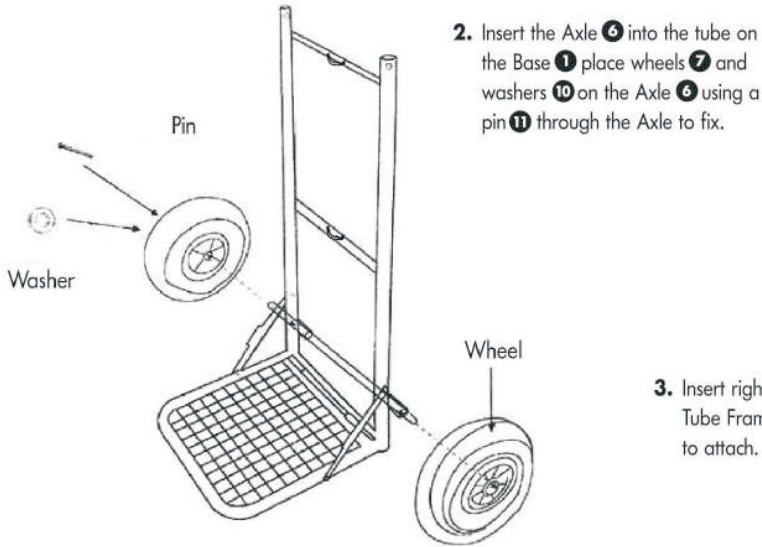
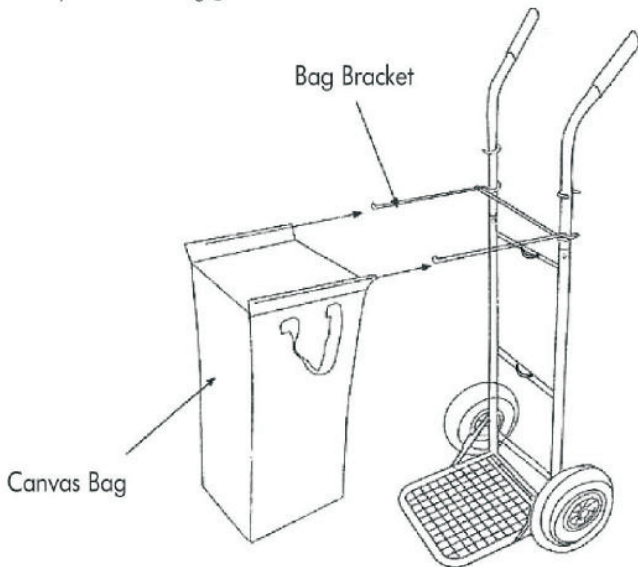


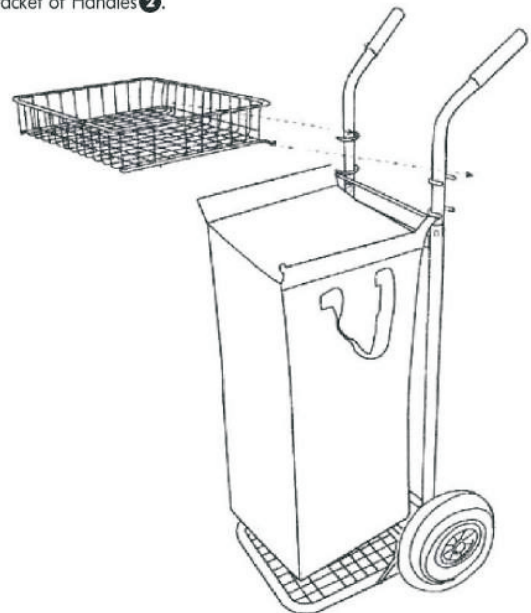
# ASSEMBLY INSTRUCTION



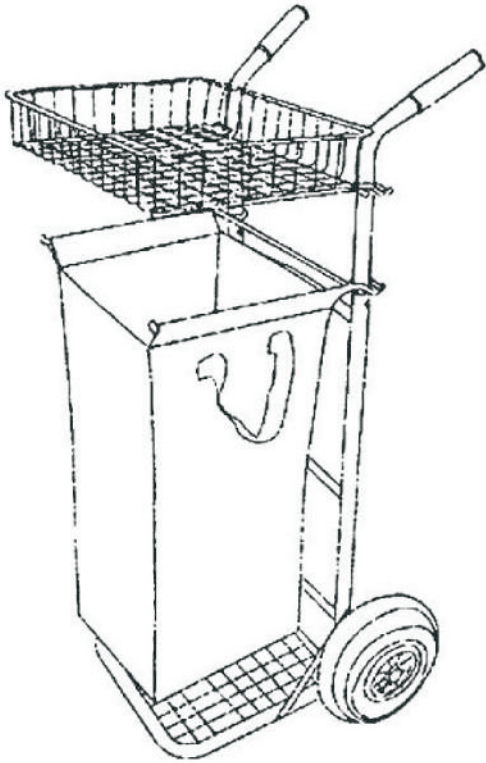
4. Place canvas Bracket 5 into the Tube 2, then put in canvas Bag 4.



5. Insert the Basket 3 into the bracket of Handles 2.



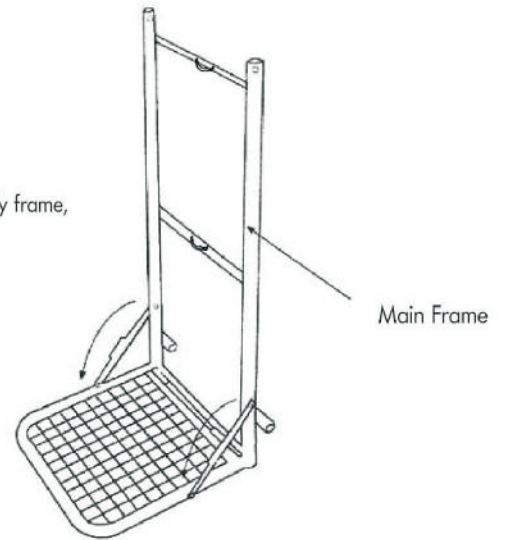
# ASSEMBLY INSTRUCTION














**Important:**

Follow instructions listed below to assure fast, easy and correct assembly. This product contains parts that can be damaged if incorrectly assembled. Before assembling, please count your parts and hardware as listed below. Do not fully tighten screws until the product is fully assembled.

1. Separate toe plate from the body frame, then level it.



<p><b>1</b></p>  <p>Main Frame 1 Pc</p>	<p><b>2</b></p>  <p>Handle 1 Pair</p>	<p><b>3</b></p>  <p>Metal Basket 1 Pc</p>	<p><b>4</b></p>  <p>Canvas Bag 1 Pc</p>	<p><b>5</b></p>  <p>Bag bracket 1 Pc</p>	
<p><b>6</b></p>  <p>Axle 1 Pc</p>	<p><b>7</b></p>  <p>Wheel 2 Pcs</p>	<p><b>8</b></p>  <p>Nut 6 Pcs</p>	<p><b>9</b></p>  <p>Screws 6 Pcs</p>	<p><b>10</b></p>  <p>Washer 4 Pcs</p>	<p><b>11</b></p>  <p>Pin 2 Pcs</p>

Get social with us and discover more about our products, tips and exclusive discounts!

