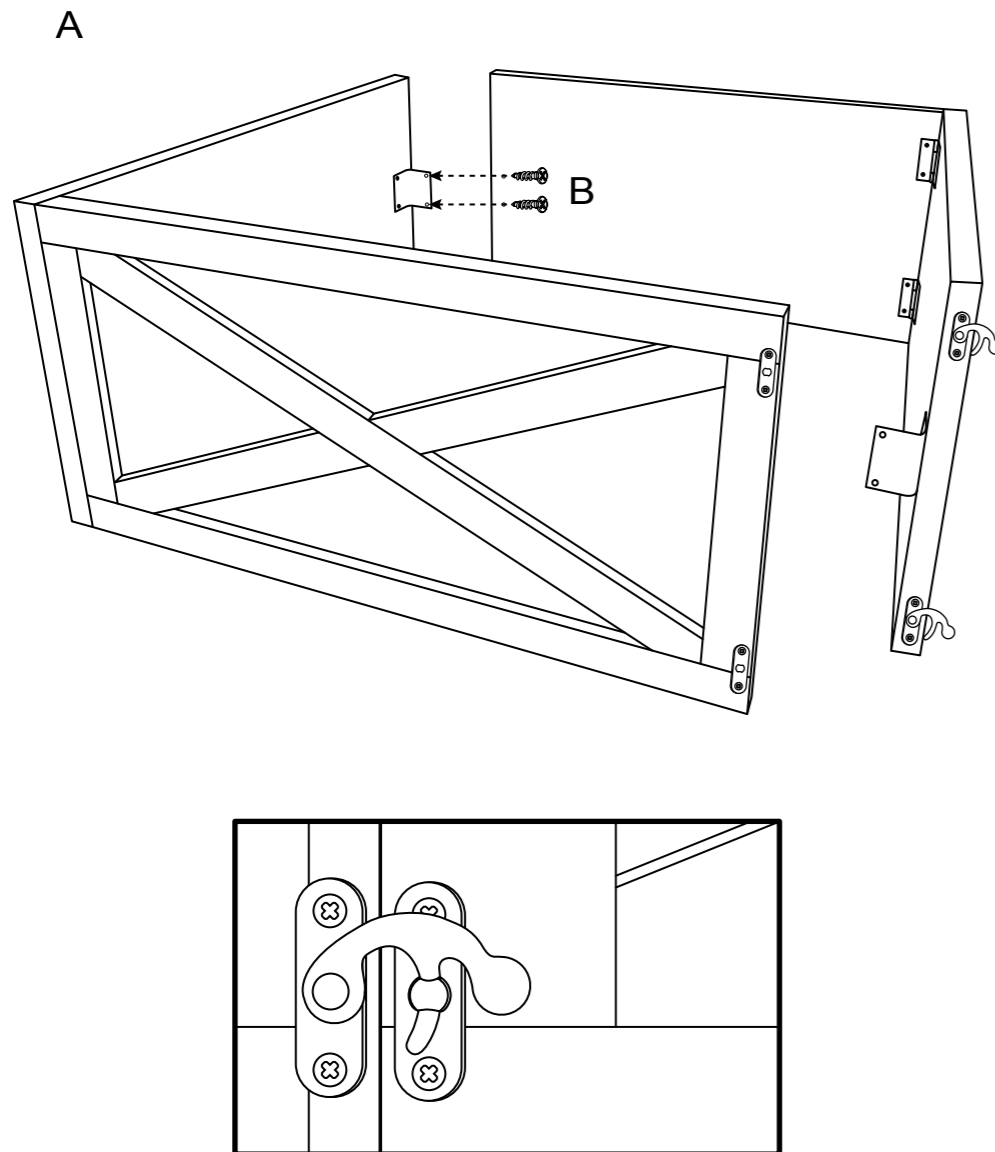
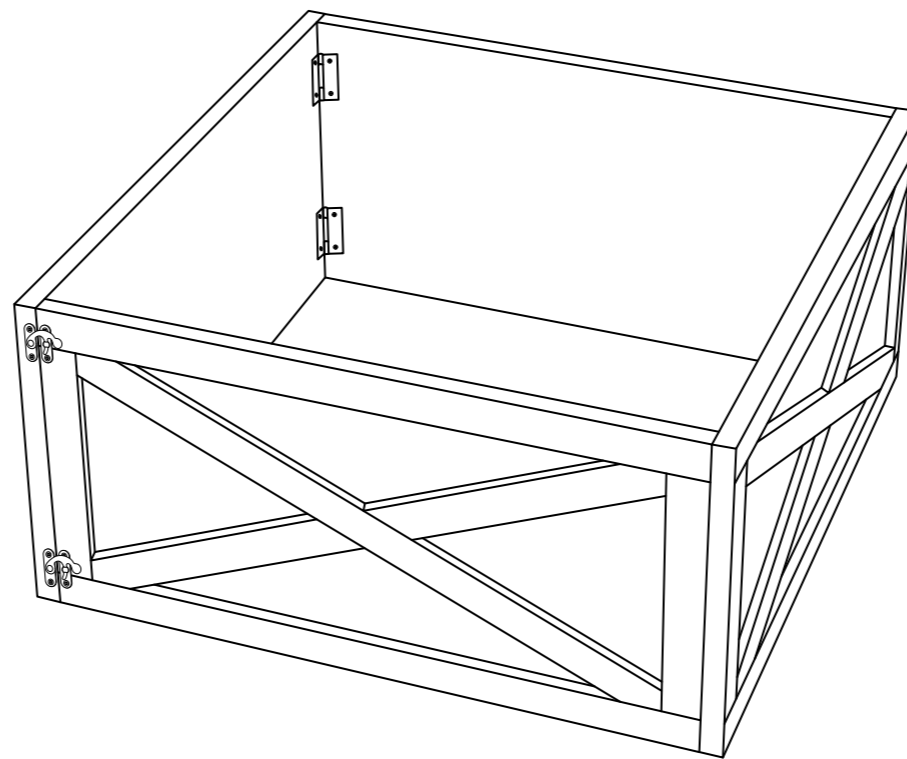


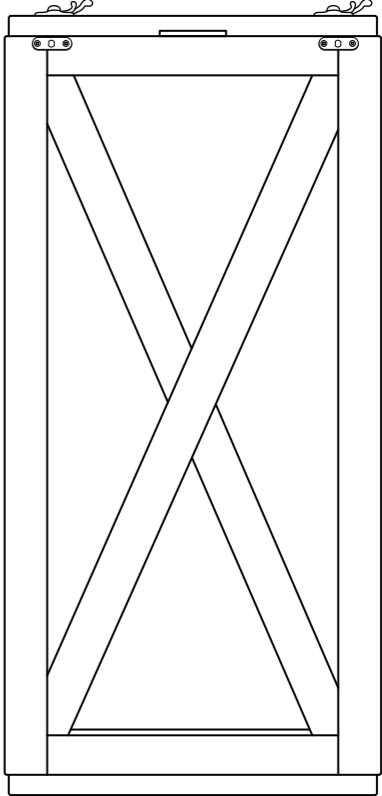

ASSEMBLY INSTRUCTION

Step 1



Step 2



HARDWARE LIST		
CODE	PARTS	QTY.
A		2PCS
B		4PCS