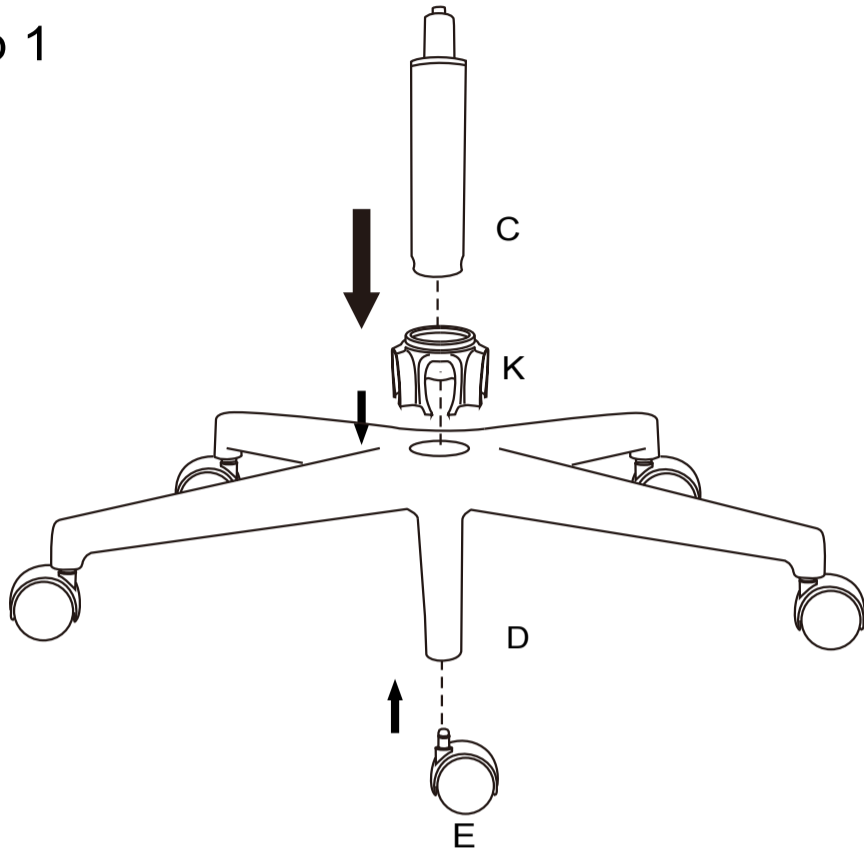
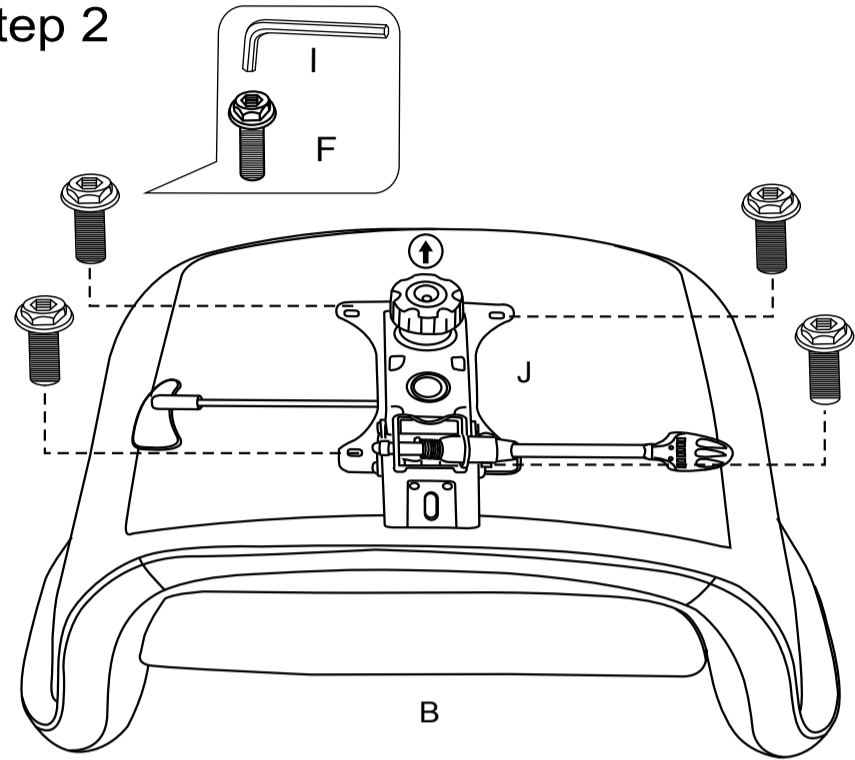


# ASSEMBLY INSTRUCTION

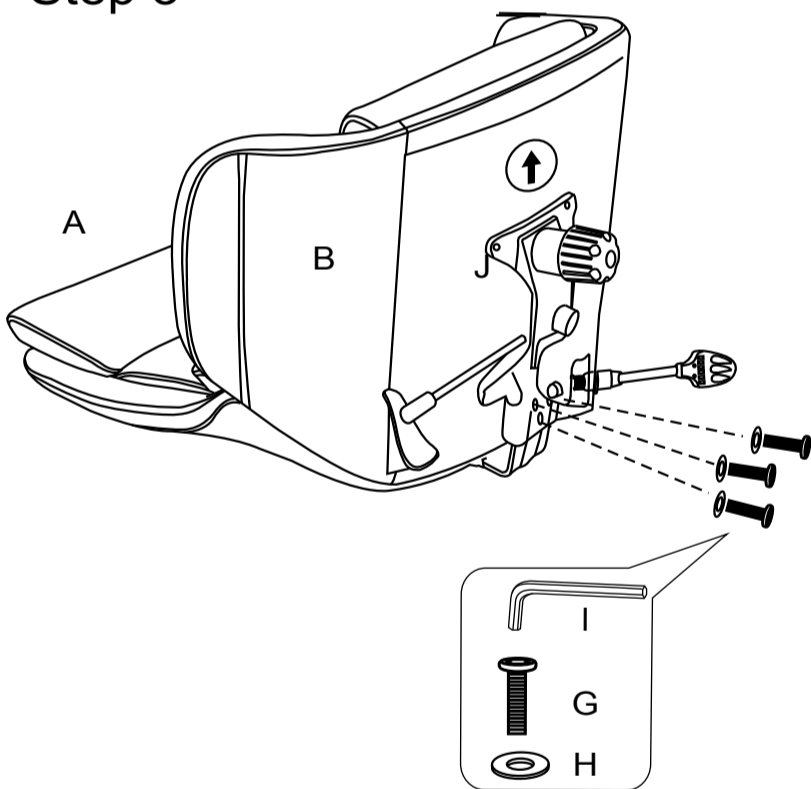
Step 1



Step 2



Step 3





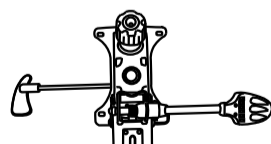




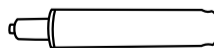



Step 4



Step 5



CODE	PARTS	QTY.	CODE	PARTS	QTY.	CODE	PARTS	QTY.
A		1	D		1	I	 M6	1
			E		5	J		1
B		1	F	 1/4" X 7/8"	4	K		1
			G	 M6 X 20MM	3			
C		1	H		3			

Get social with us and discover more about our products, tips and exclusive discounts!

