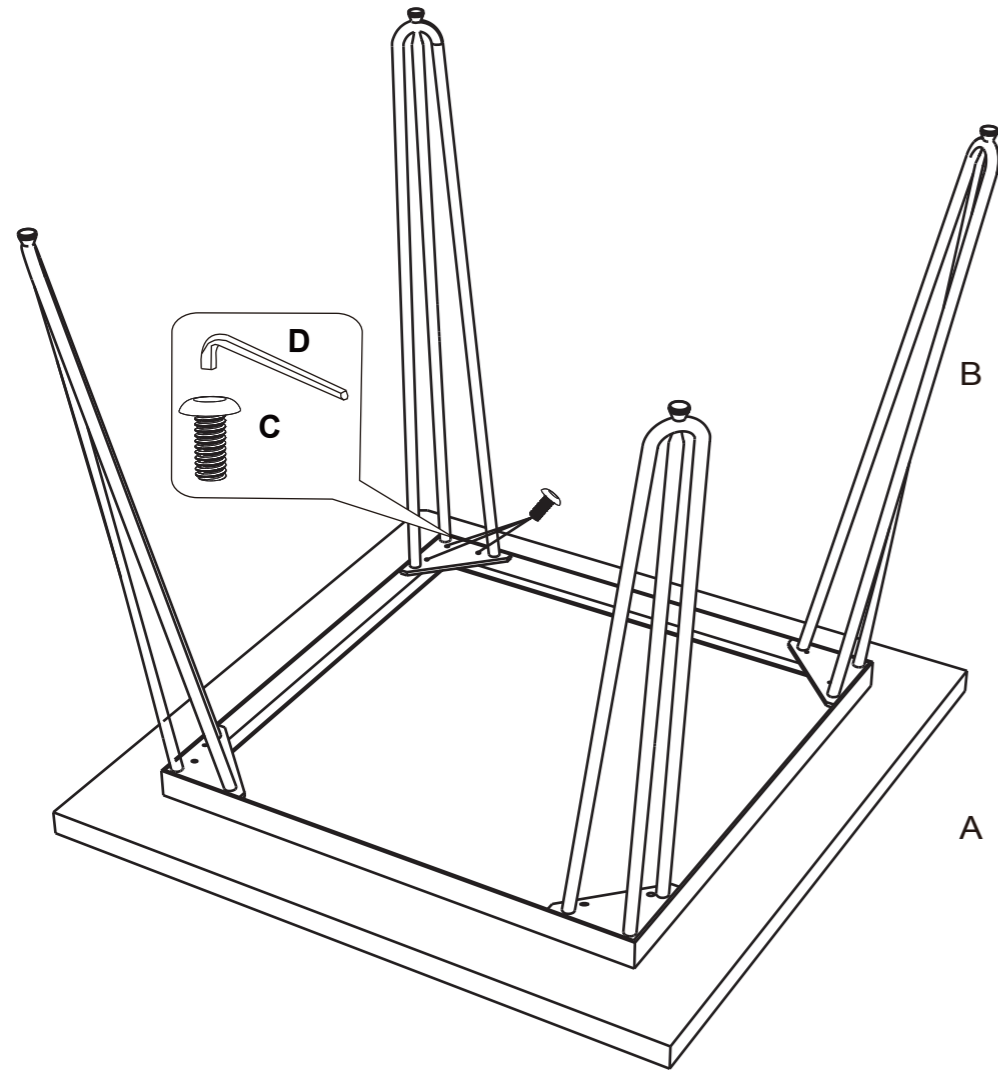
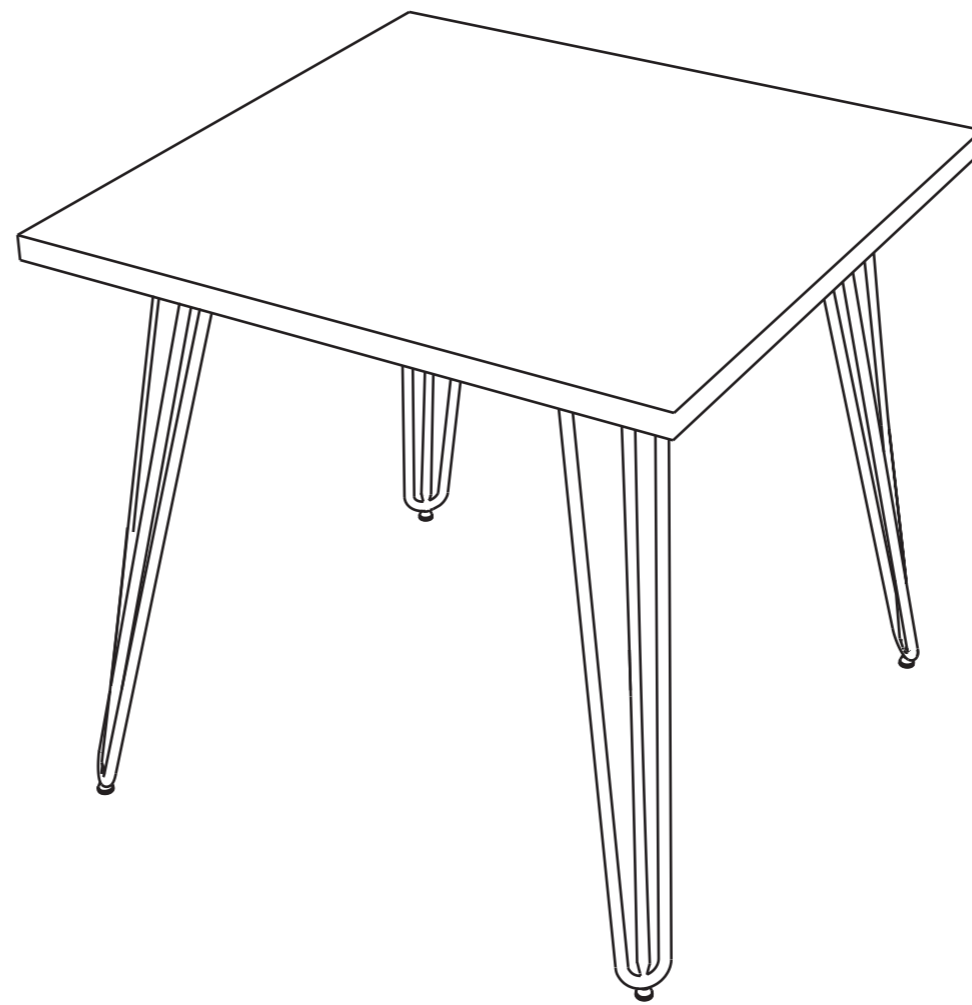


ASSEMBLY INSTRUCTION

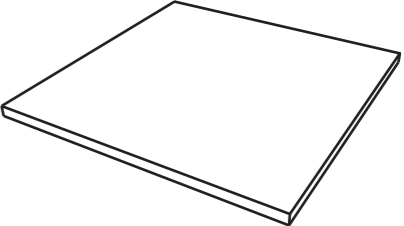

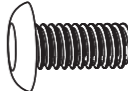

①



②



HARDWARE LIST

CODE	PARTS	QTY.
A		1PC
B		4PC
C	 M6 X 12mm	12PC
D		1PC

Hardware Kit is attached to one of the Legs

Get social with us and discover more about our products, tips and exclusive discounts!

