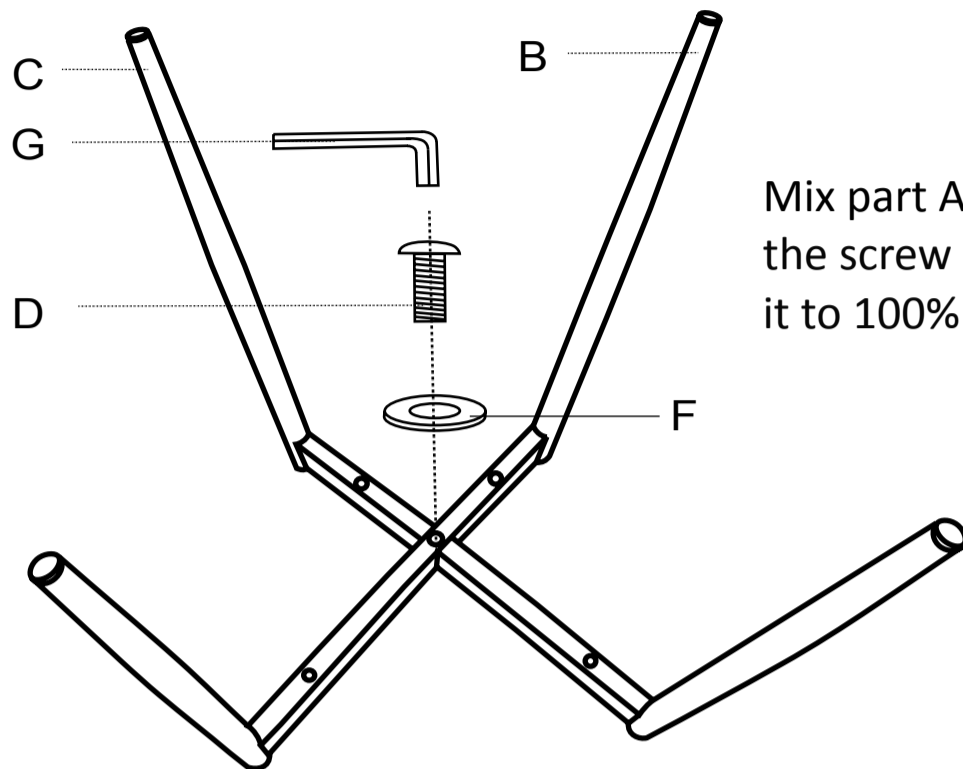


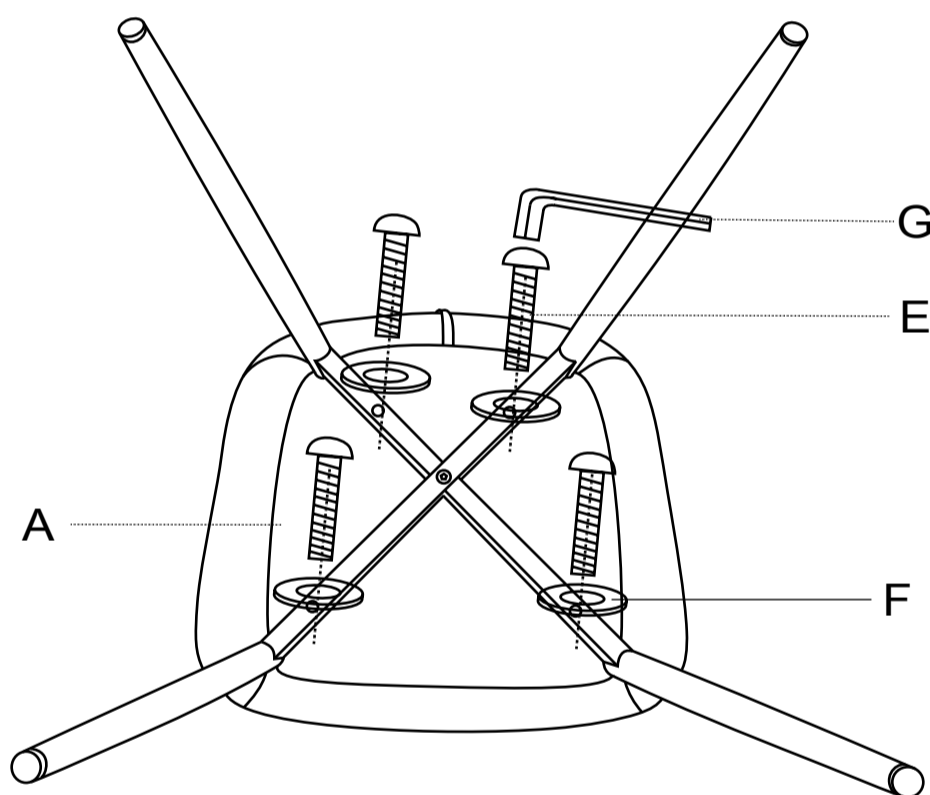
# ASSEMBLY INSTRUCTION

## Step 1

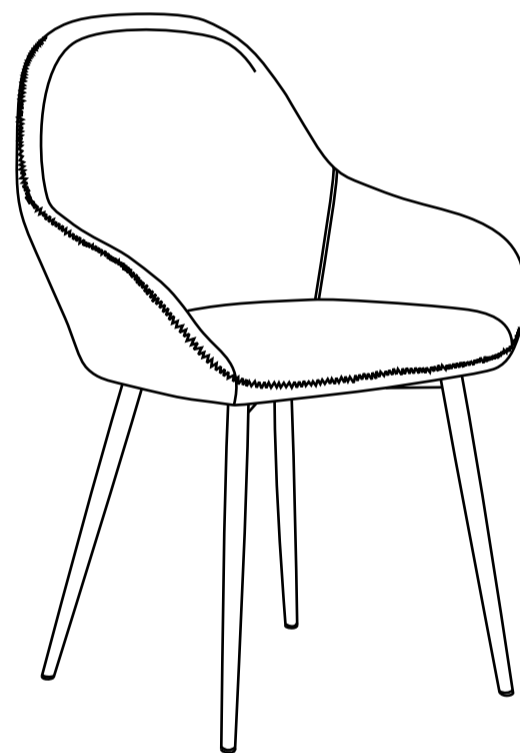


Mix part A and part B, then insert the screw in the holes and tighten it to 100%.

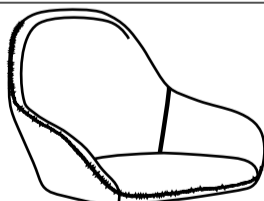
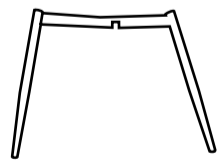

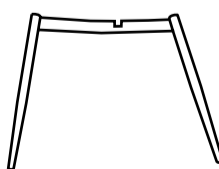



## Step 2



Insert the screws in the holes and tighten item to 100%.



A few days after initial assembly, the product may acclimate to its new environment. Please ensure all screws are still securely tightened.

HARDWARE LIST	CODE	PARTS	QTY.	CODE	PARTS	QTY.	CODE	PARTS	QTY.
	A		1	C		1	G	 M6	1
	B		1	D	 M6 X 30MM	1			
				E	 M6 X 50MM	4			
F					5				

Get social with us and discover more about our products, tips and exclusive discounts!

