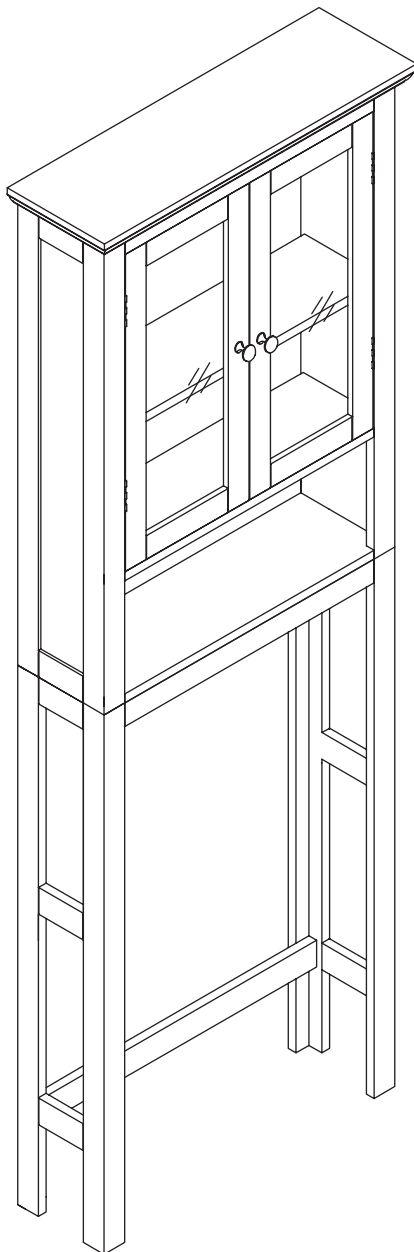


# Assembly Instructions

## SPACE SAVER

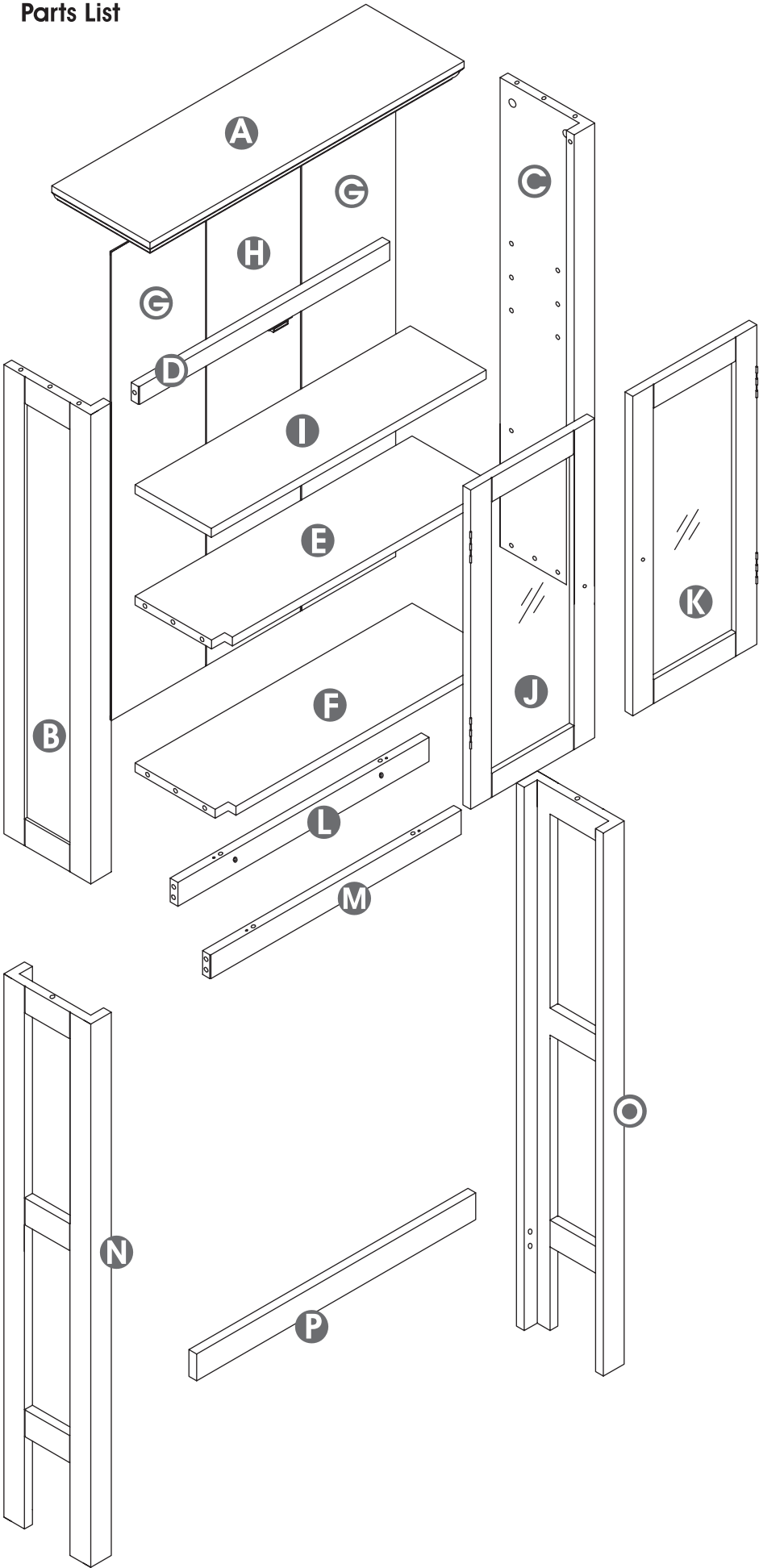


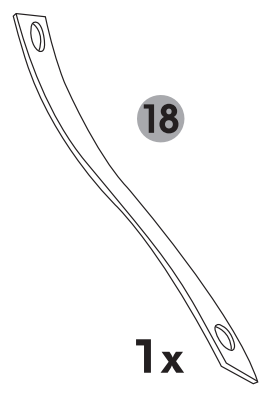
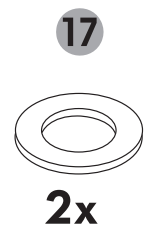
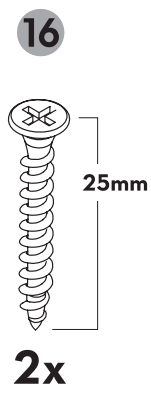
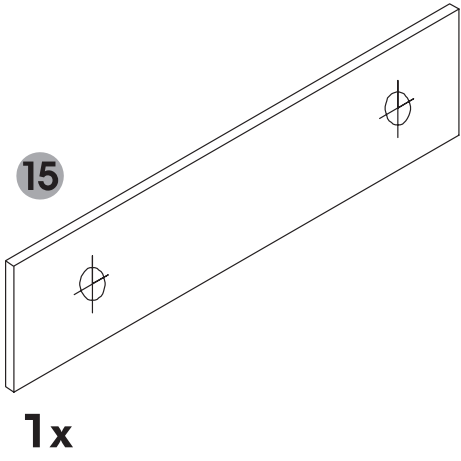
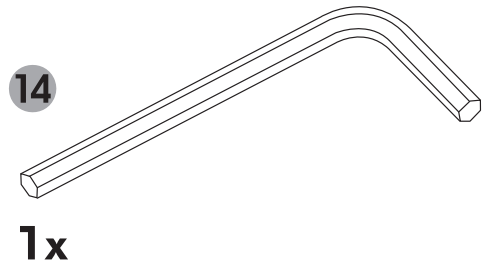
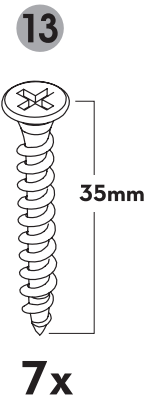
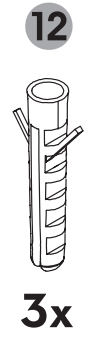
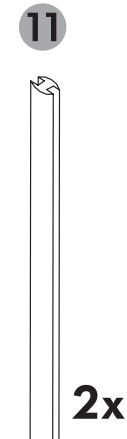
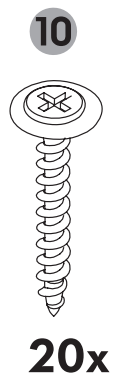
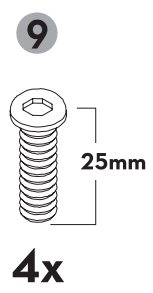
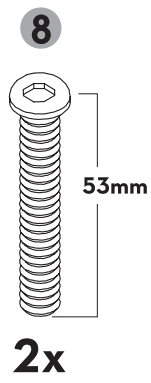
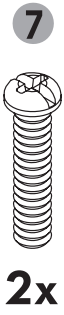
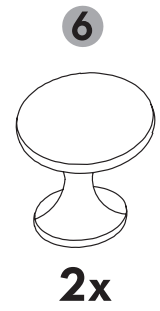
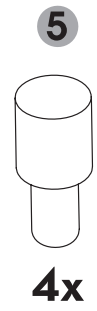
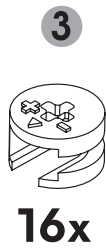
Carefully unpack and identify each component before beginning assembly. Before you begin, please refer to parts list to make sure that you have all parts. Please take care when assembling the unit and always place the parts on a clean, soft surface. If you require assistance with assembly or parts, please call 888-357-7263.

Get social with us and discover more about our products, tips and exclusive discounts!

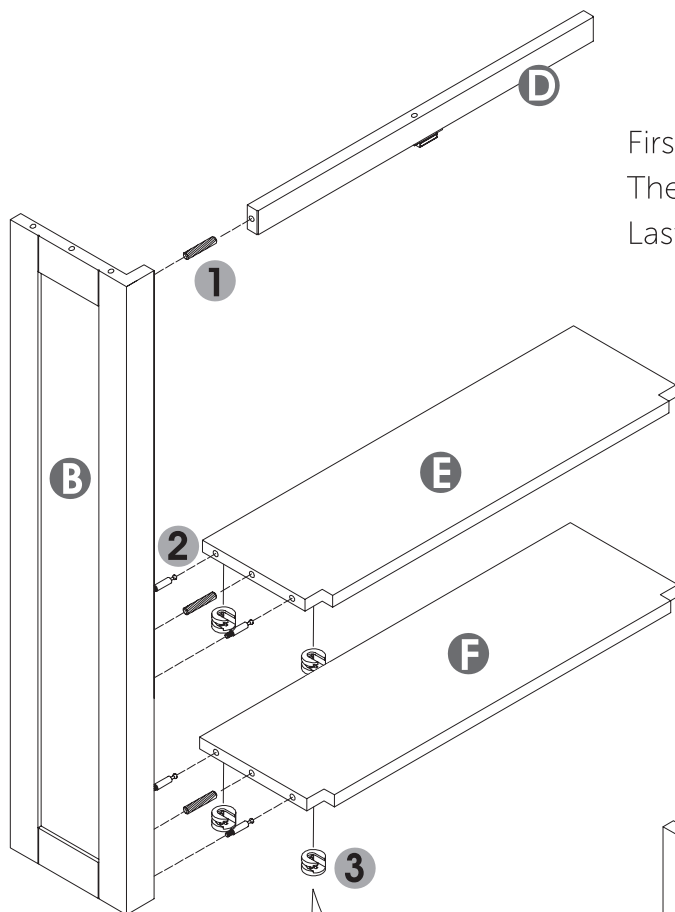
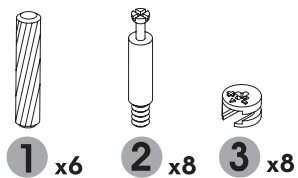


Visit our YouTube channel for product assembly demonstrations

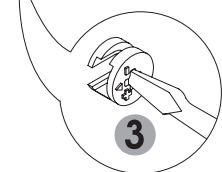




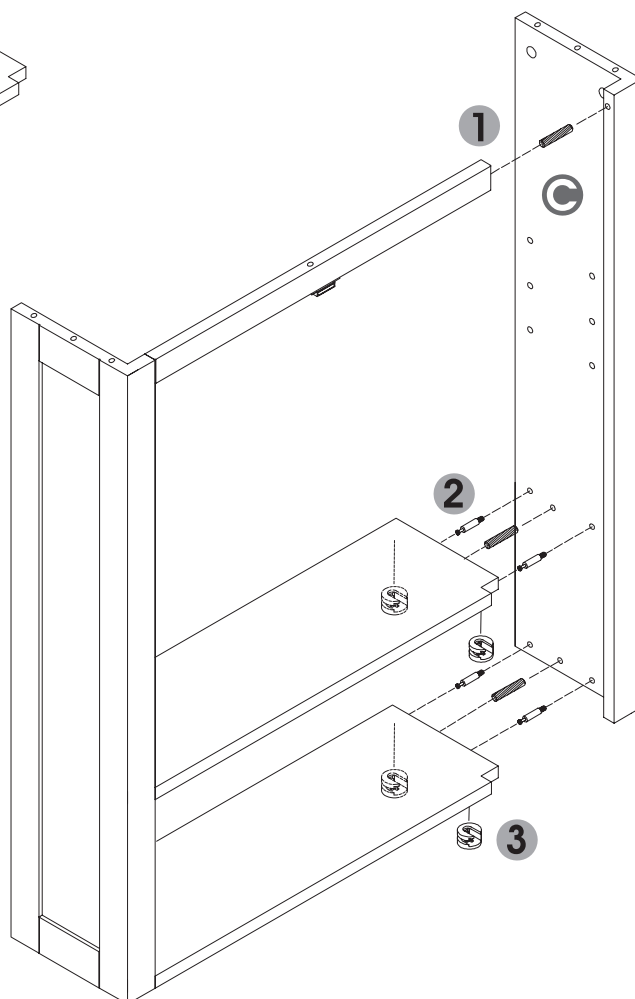
glitzhom<sup>®</sup> in **Step 1** you need **B C D E F**



First screw cam bolt **2** into part B,  
Then slide part E, F into part C,  
Lastly tighten the cam lock **3** until secure.

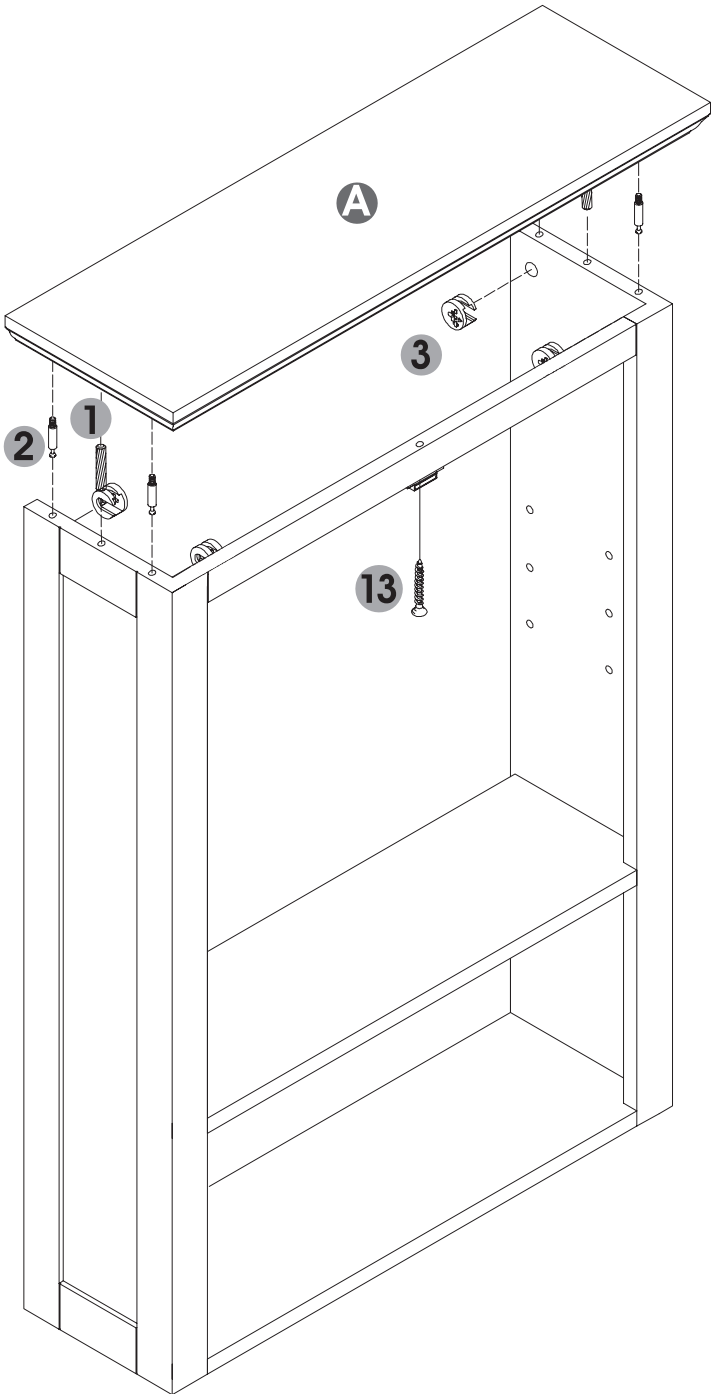
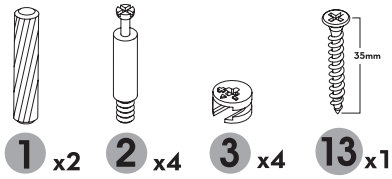


Push cam lock into the hole, then  
take a flathead screwdriver (as  
pictured) and twist 45 degrees until  
it is locked in place.



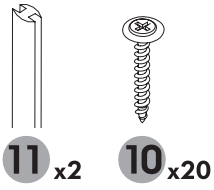
in **Step 2** you need

**A**

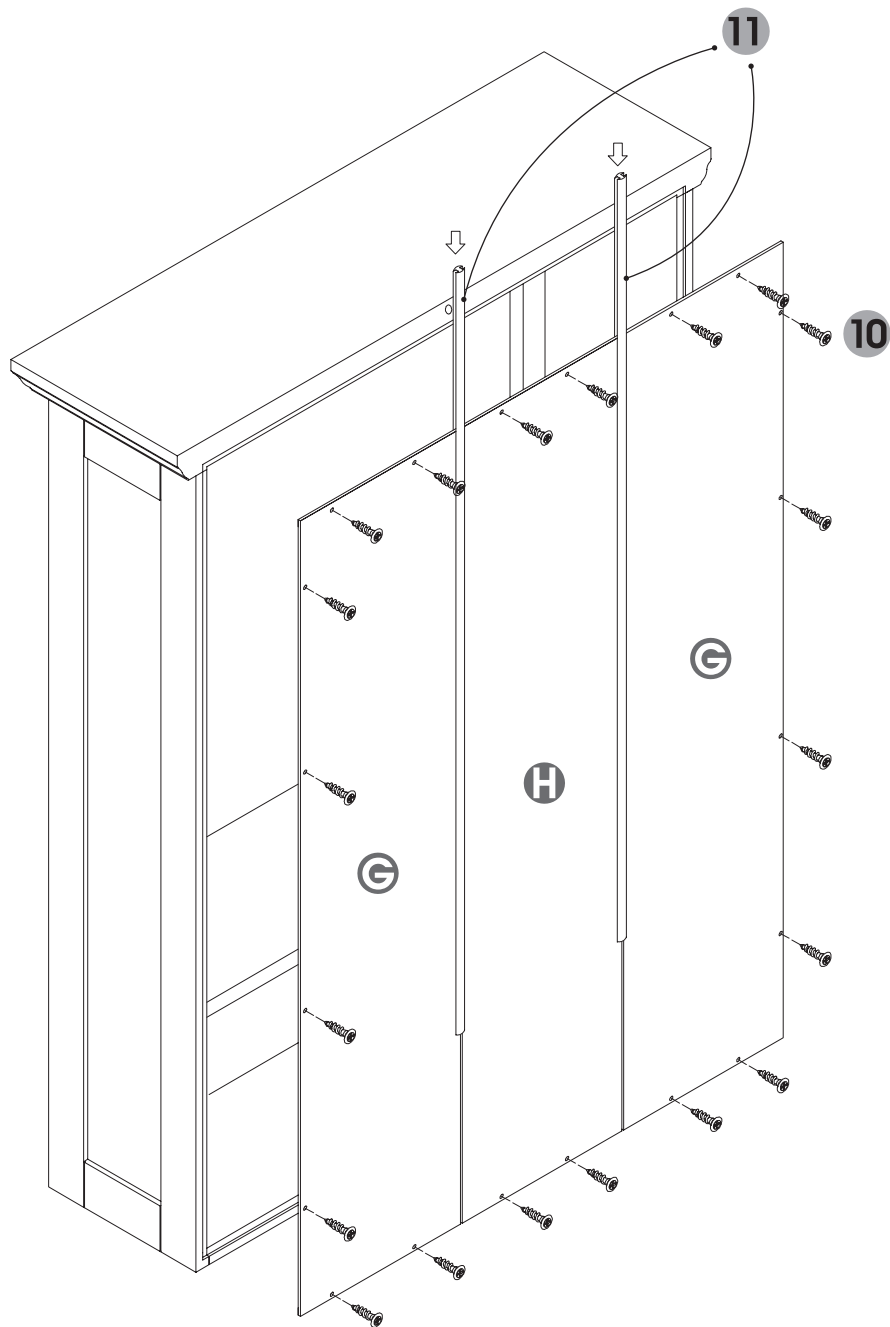


glitzhome® in Step 3 you need

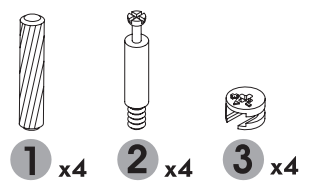
ⓐ ⓓ



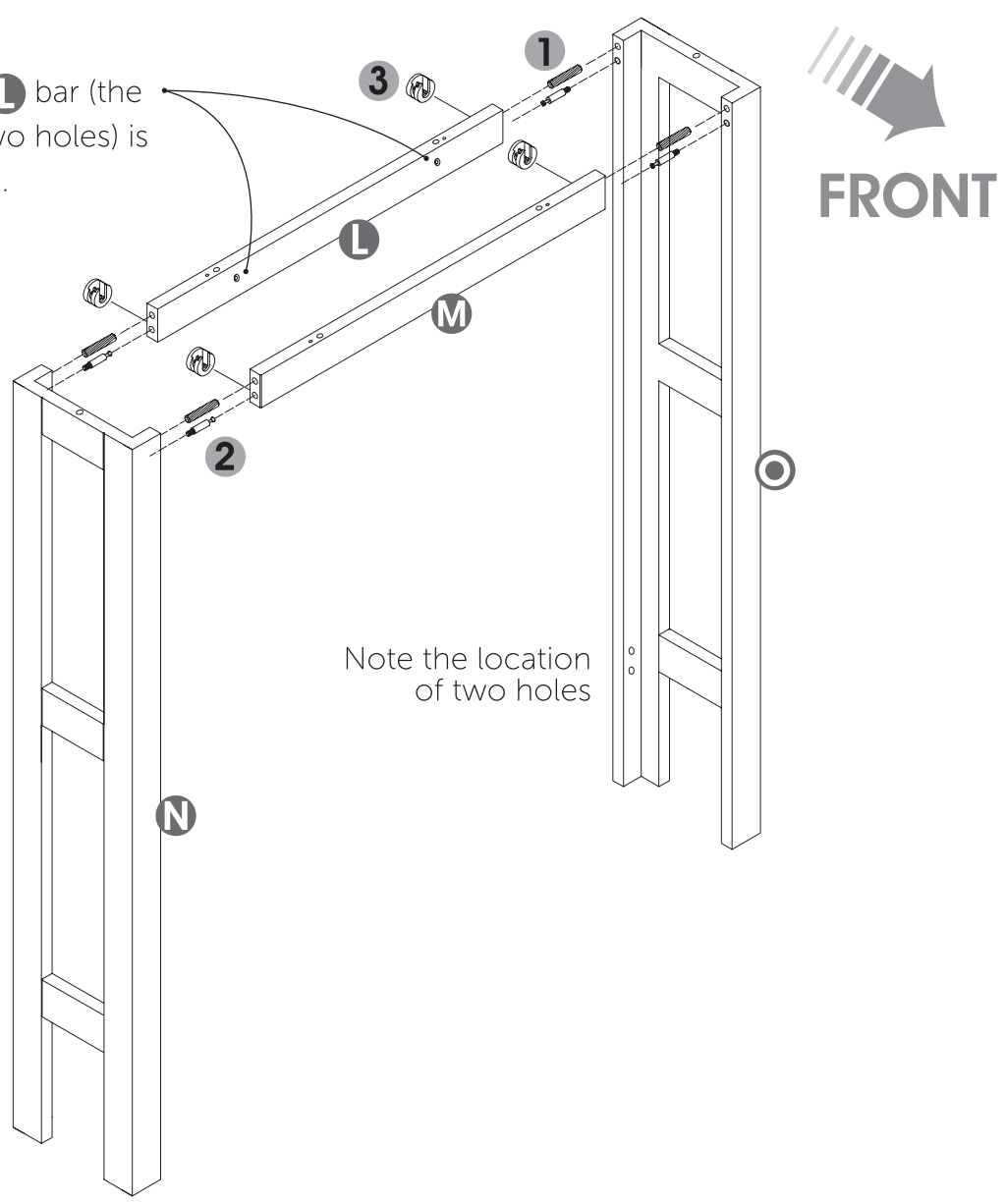
back connector slide



in **Step 4** you need **L M O N**

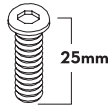


Note the **L** bar (the bar with two holes) is backfacing.



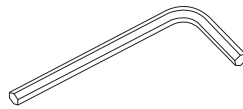
glitzhome® in **Step 5** you need

**P**

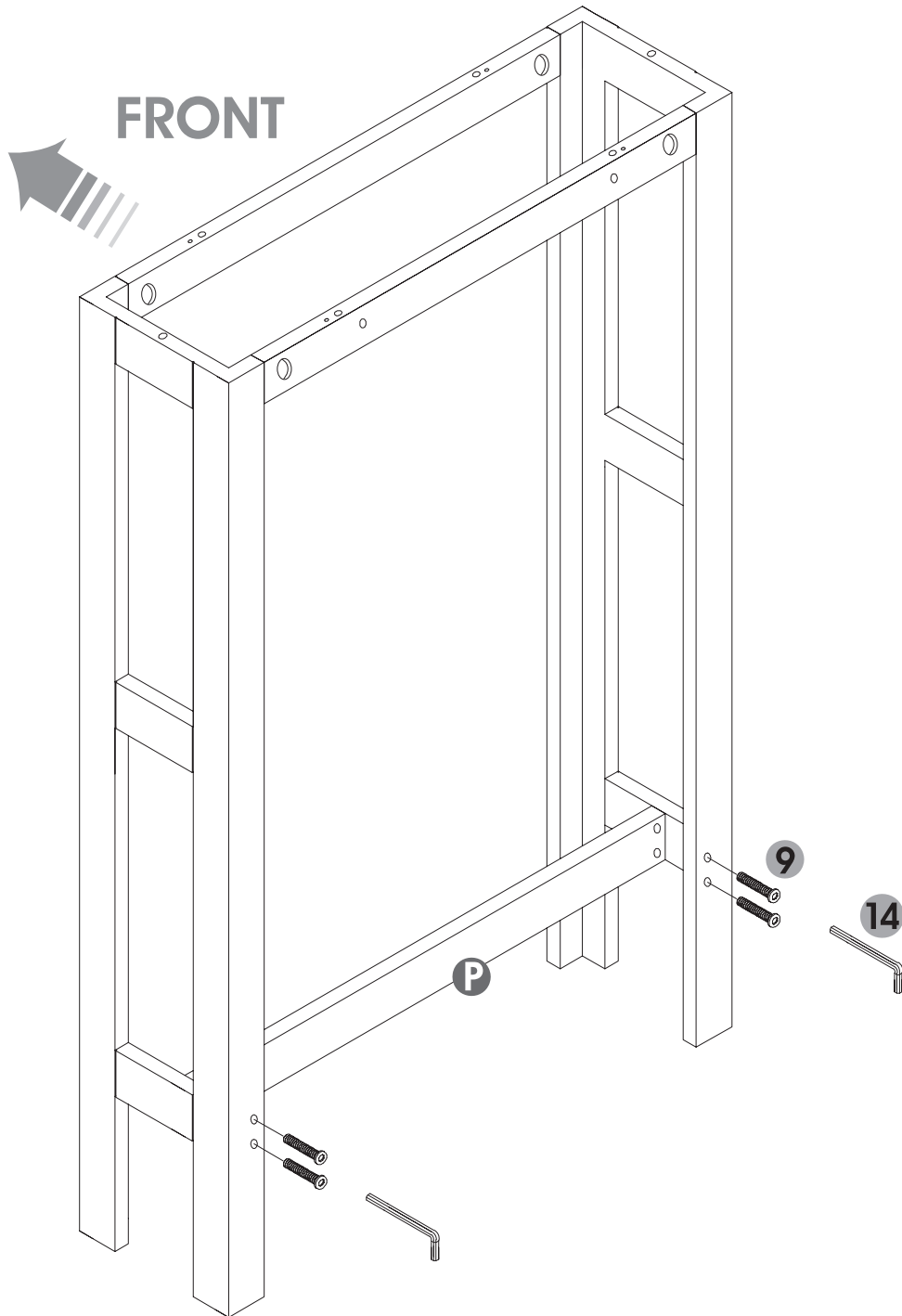


25mm

**9** x4

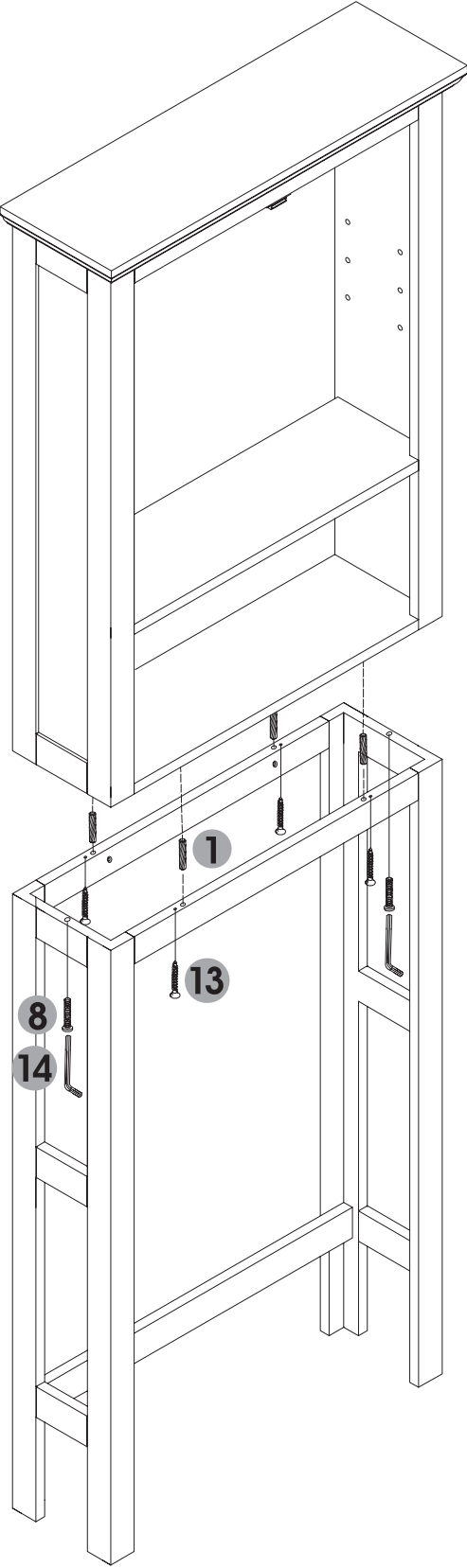
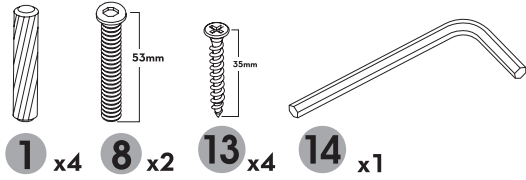


**14** x1



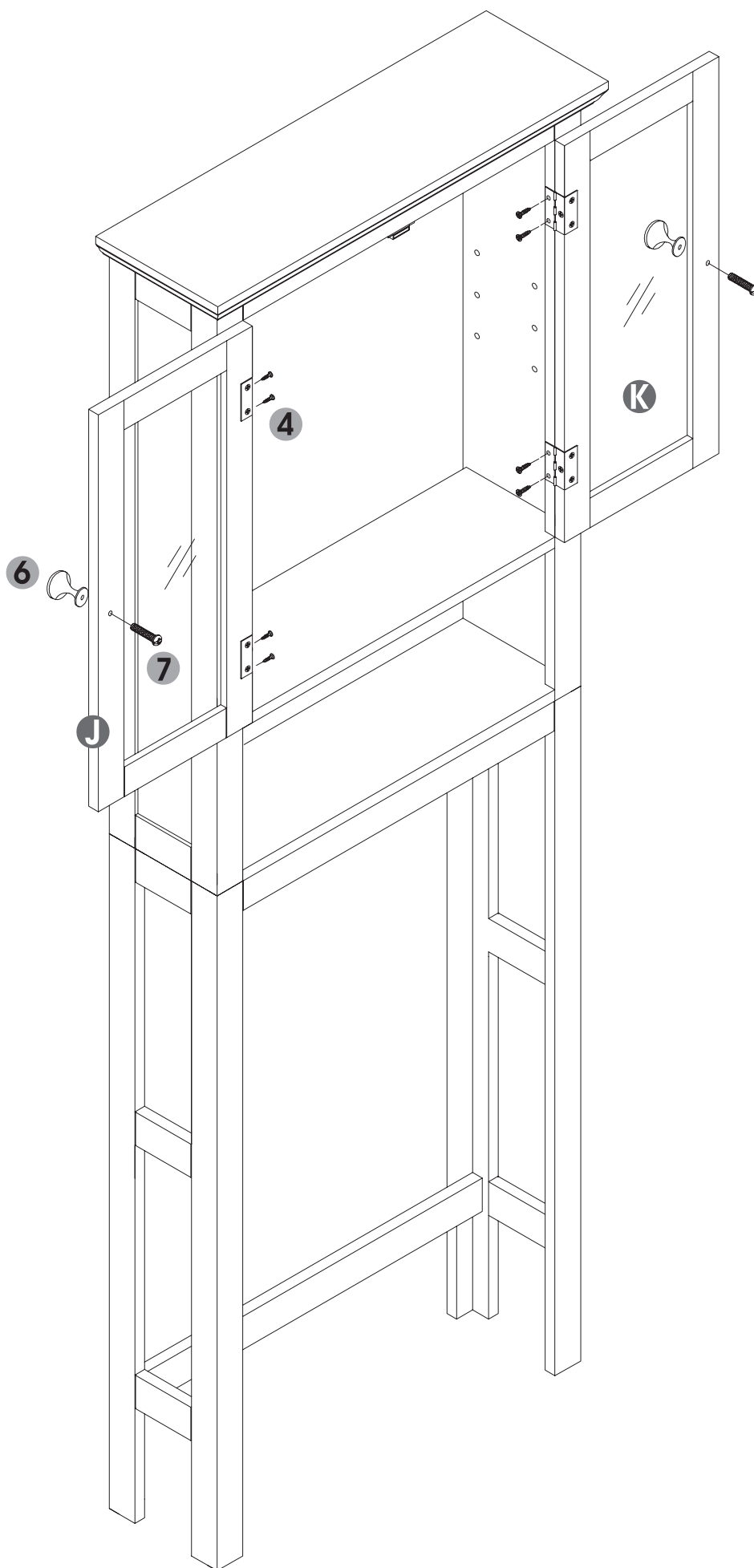
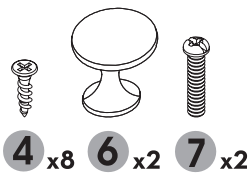


in **Step 6** you need



in **Step 7** you need

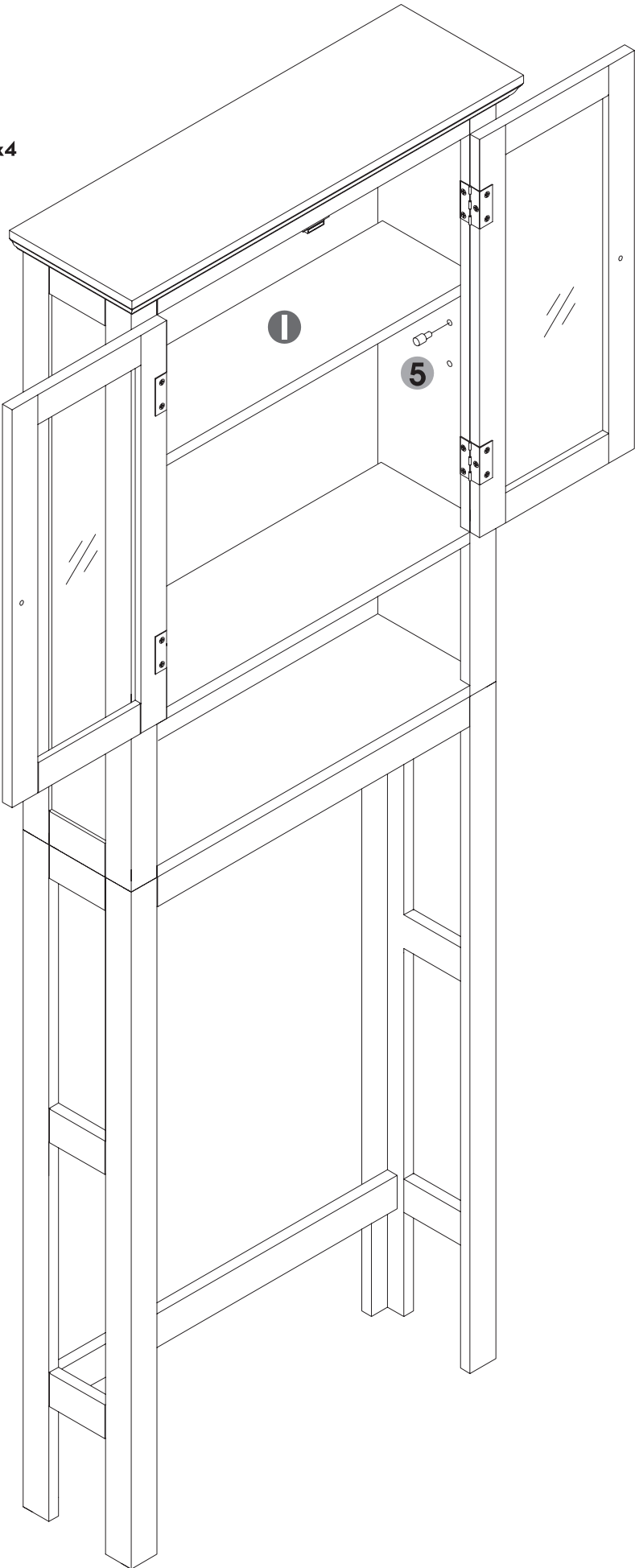
**J** **K**



in **Step 8** you need



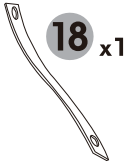
**5** x4



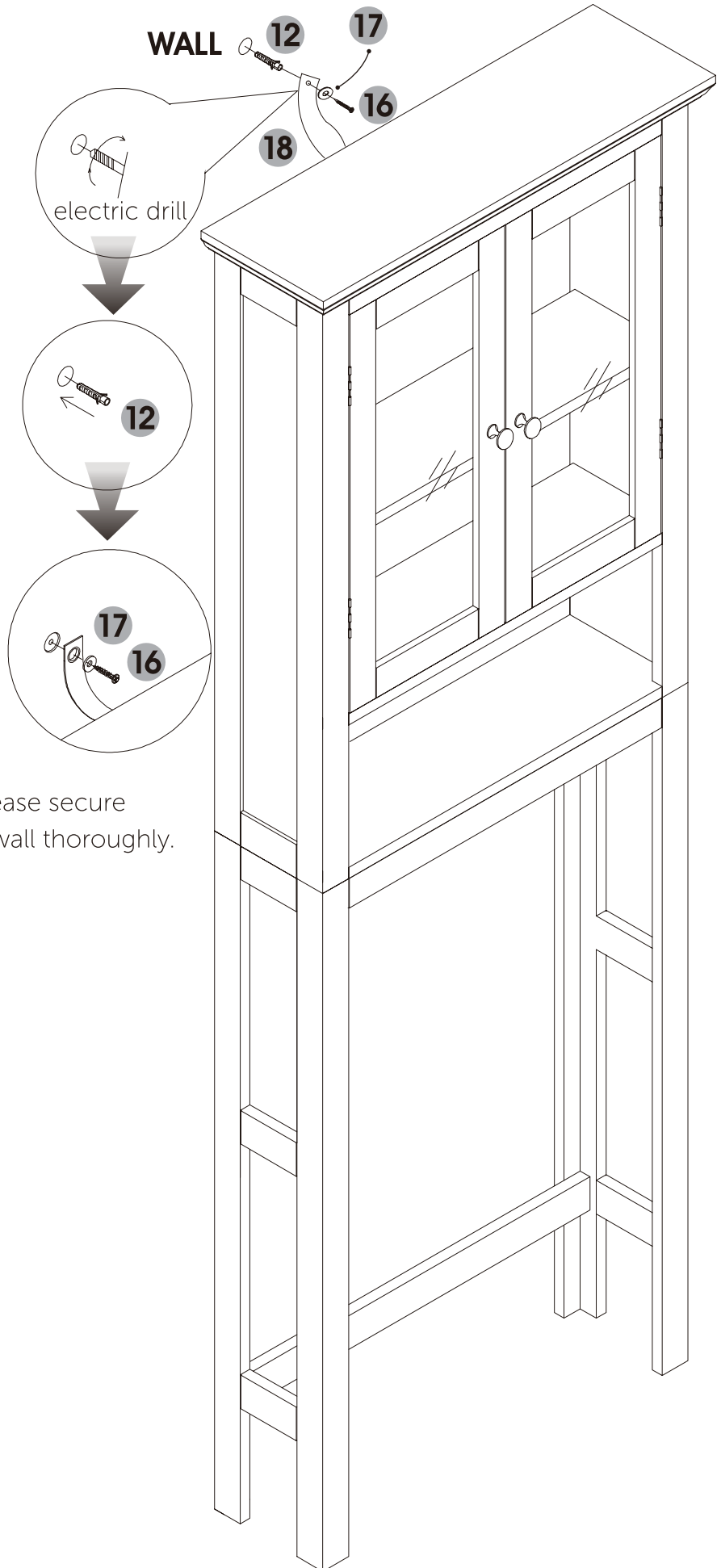
in **Step 9** you need



**12** x1 **16** x1 **17** x1

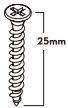


**18** x1

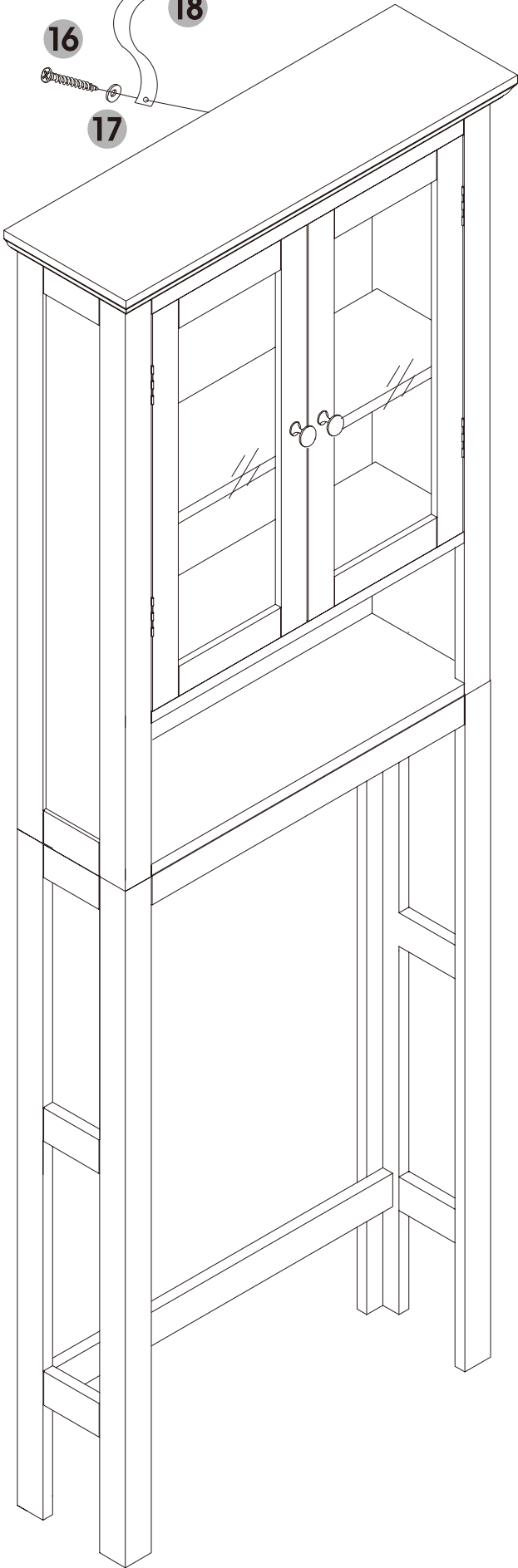
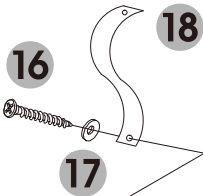


For your safety, please secure anchor-strap to a wall thoroughly.

in **Step 10** you need

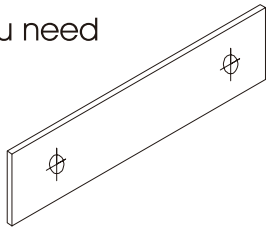


**16** x1 **17** x1



in **Step 11** you need

**L**



**12** x2

**13** x2

**15** x1

**WALL**

