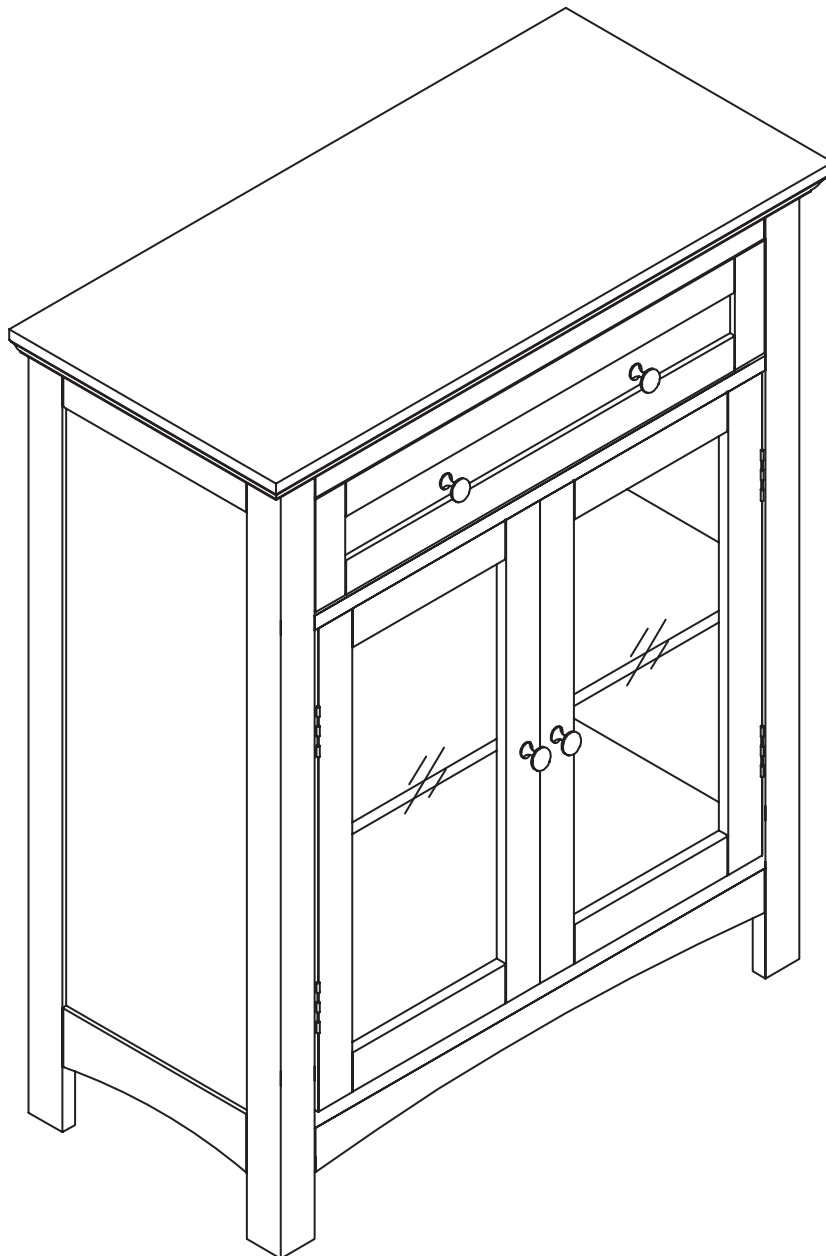


# Assembly Instructions

## FLOOR CABINET

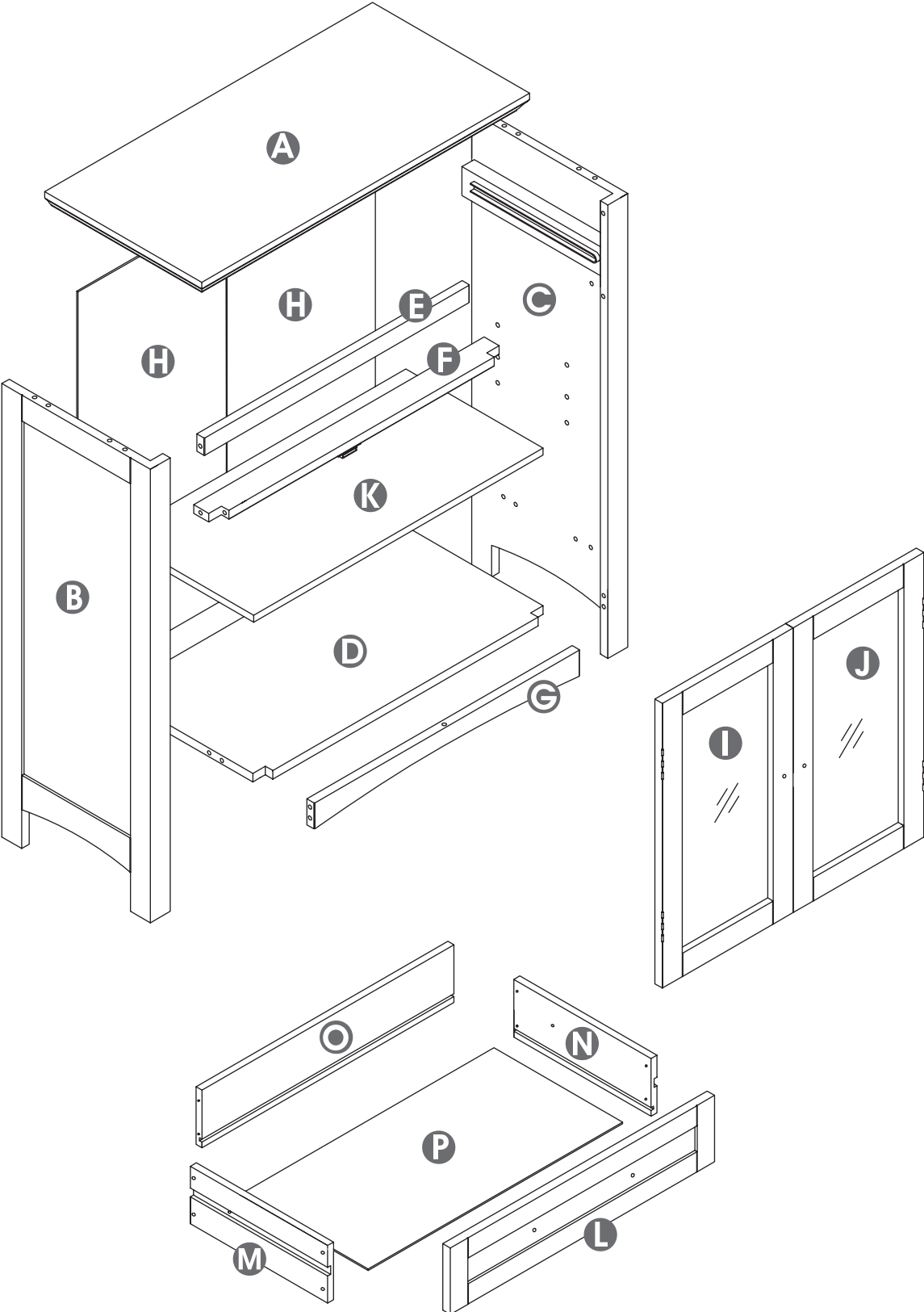


Carefully unpack and identify each component before beginning assembly. Before you begin, please refer to parts list to make sure that you have all parts. Please take care when assembling the unit and always place the parts on a clean, soft surface. If you require assistance with assembly or parts, please call 888-357-7263.

Get social with us and discover more about our products, tips and exclusive discounts!



Visit our YouTube channel for product assembly demonstrations



1



16x

2



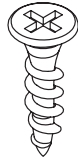
10x

3



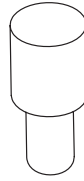
10x

4



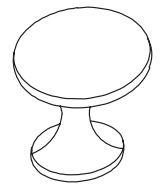
8x

5



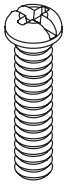
4x

6



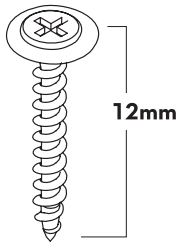
4x

7



4x

8



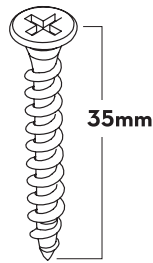
16x

9



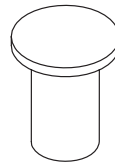
1x

10



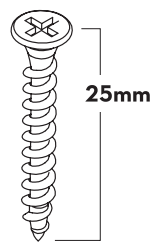
2x

11



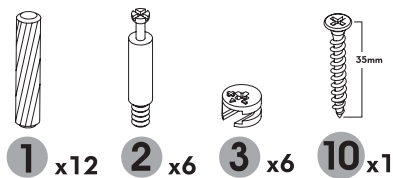
2x

12

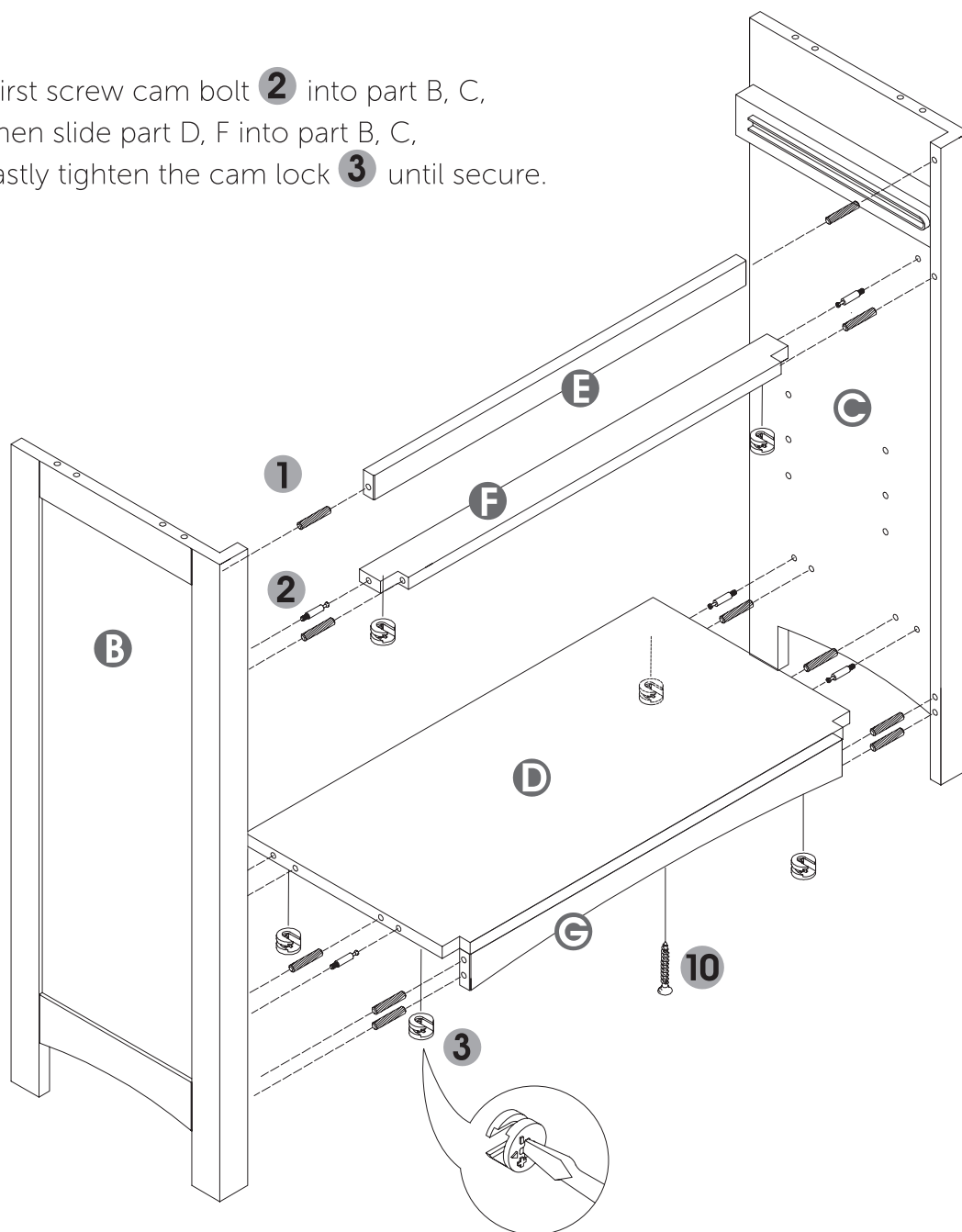


8x

glitzhom<sup>®</sup> in **Step 1** you need **B C D E F G**



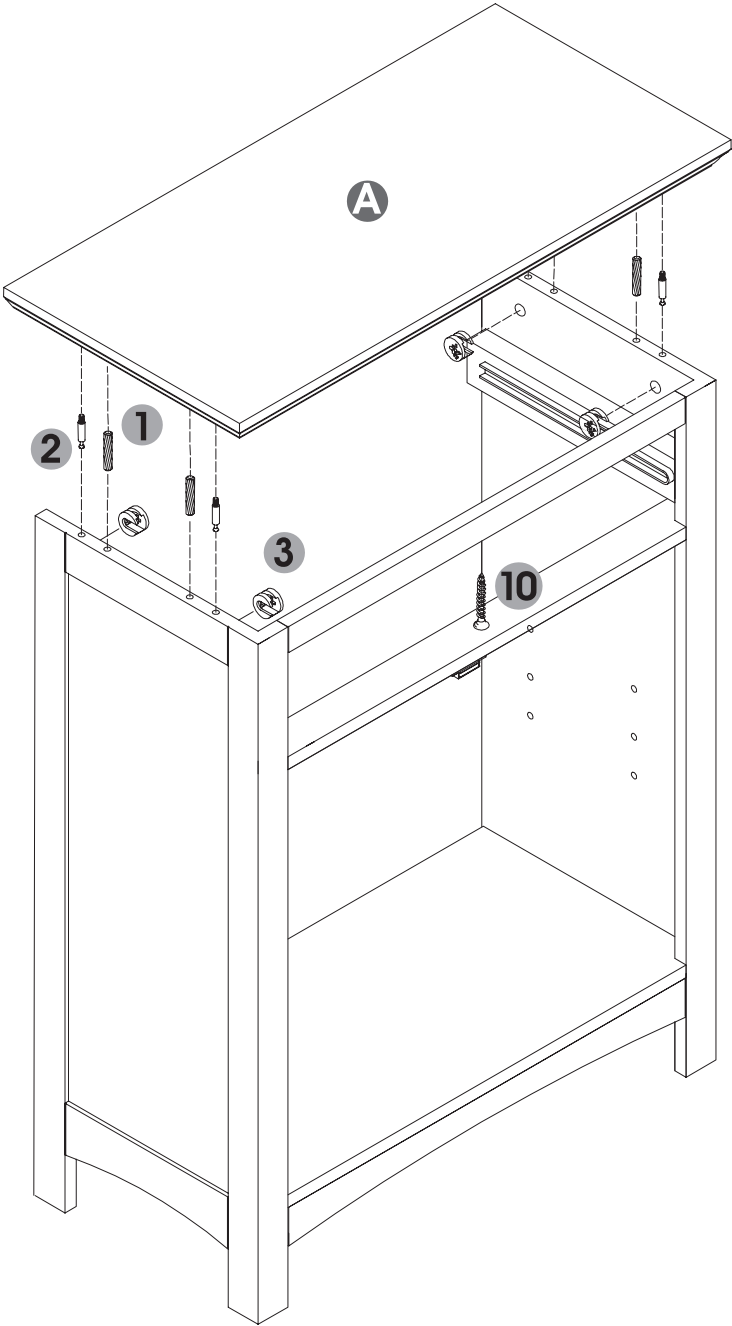
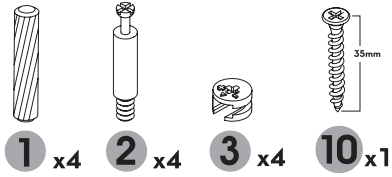
First screw cam bolt **2** into part B, C,  
then slide part D, F into part B, C,  
lastly tighten the cam lock **3** until secure.



Push cam lock into the hole, then take a flathead screwdriver (as pictured) and twist 45 degrees until it is locked in place.

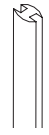
in **Step 2** you need

**A**



glitzhome® in **Step 3** you need **H**

**H**

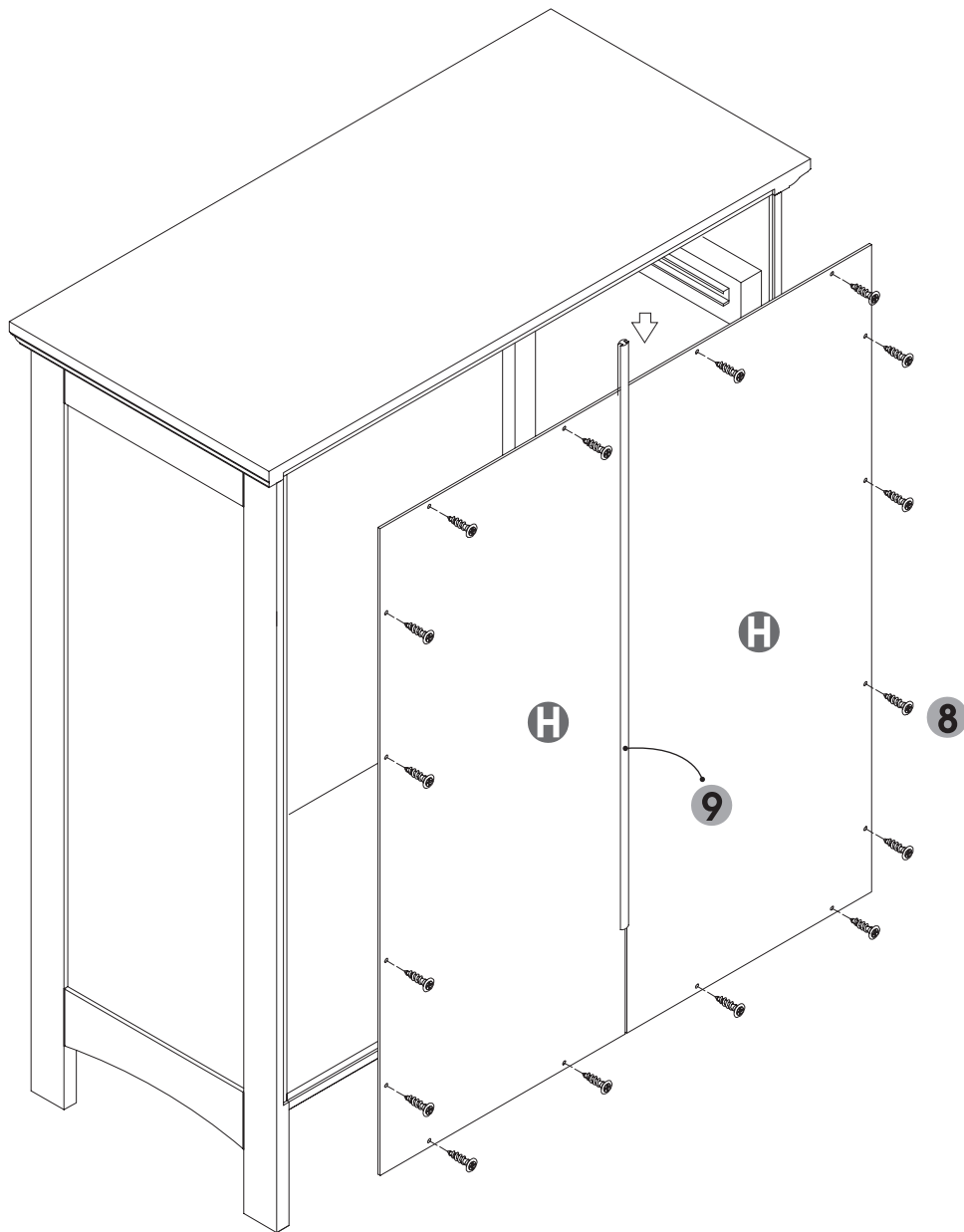


**9** x1



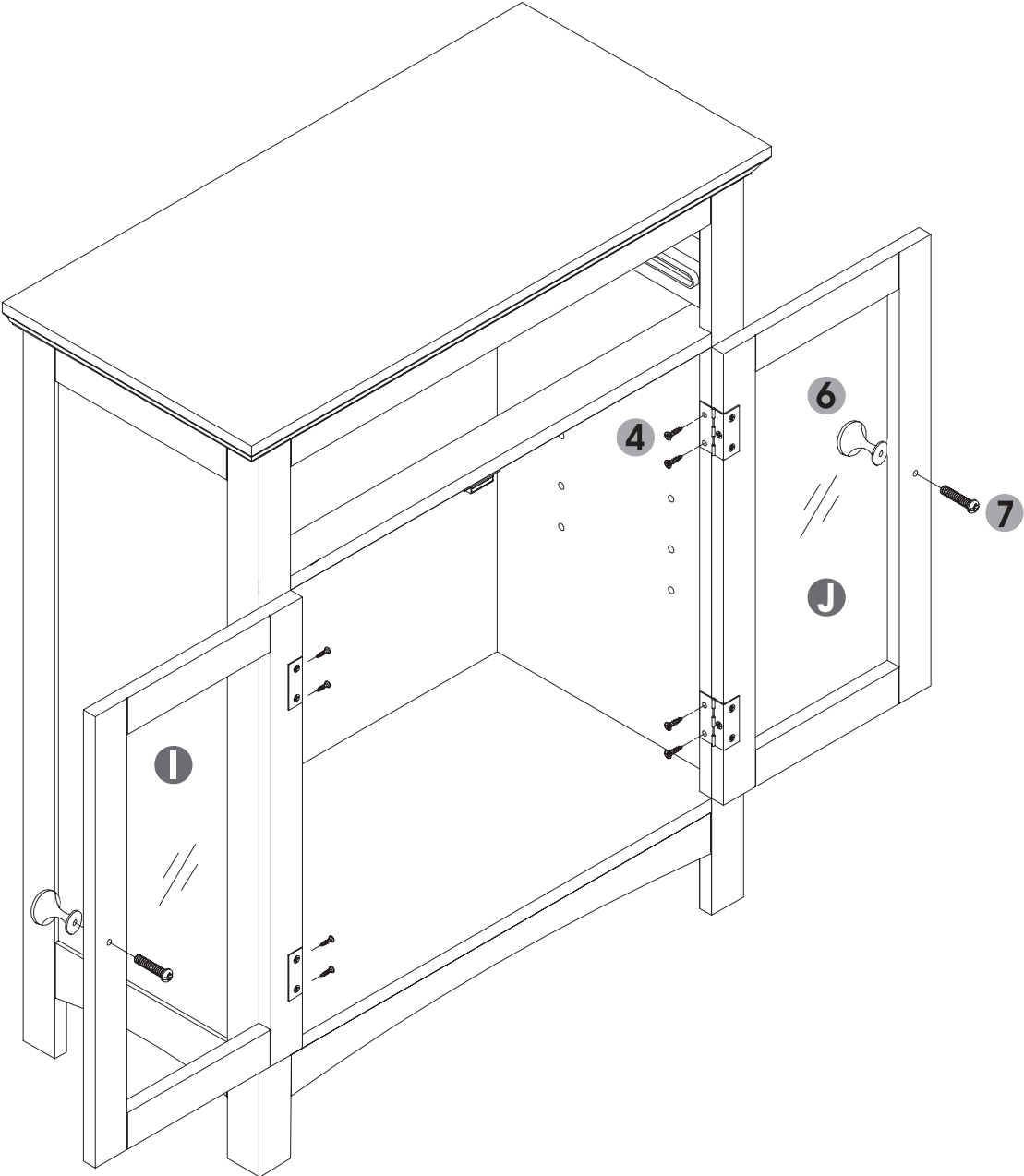
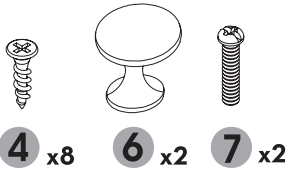
**8** x16

back connector slide



in **Step 4** you need

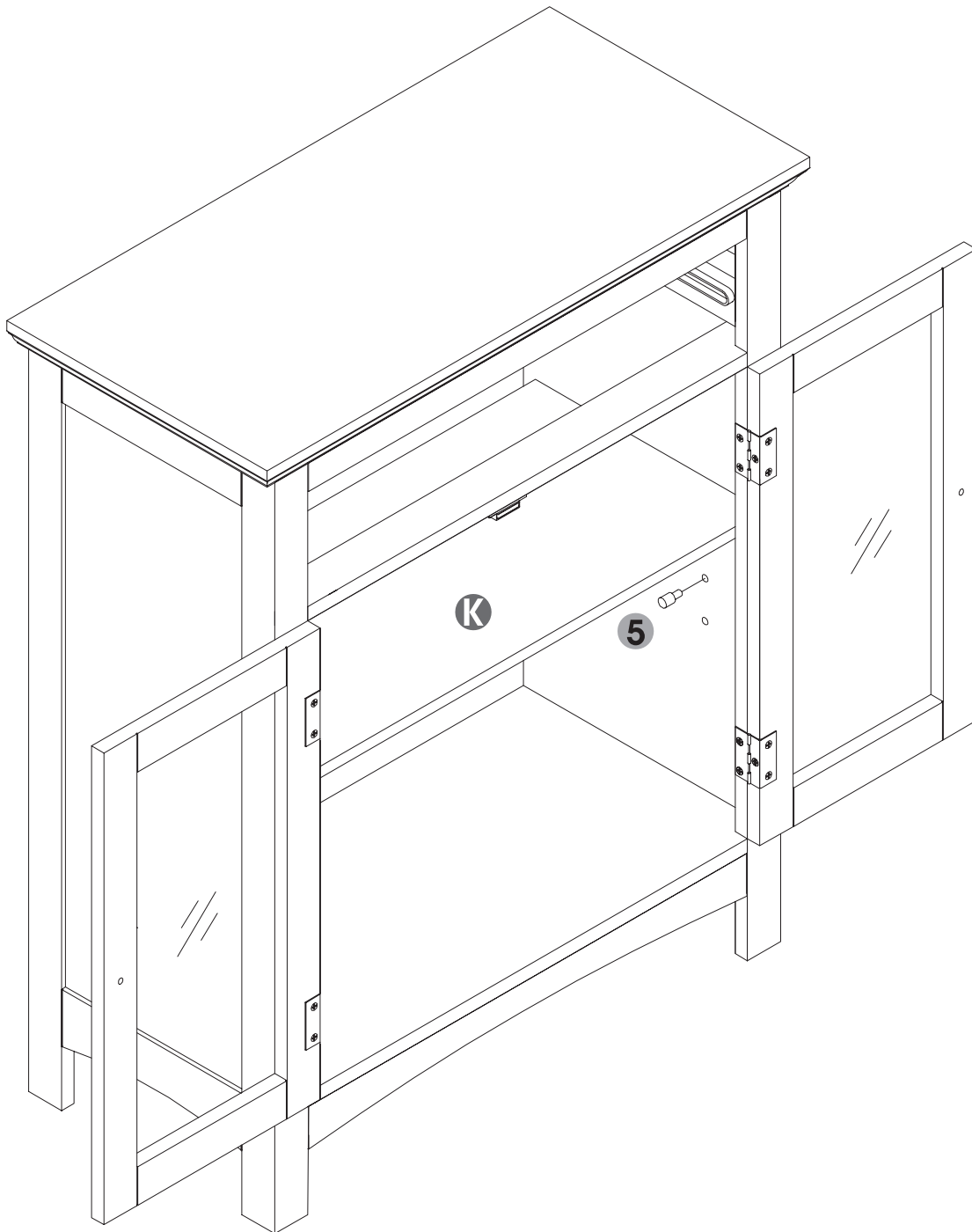
**I** **J**



glitzhom<sup>®</sup> in **Step 5** you need **K**

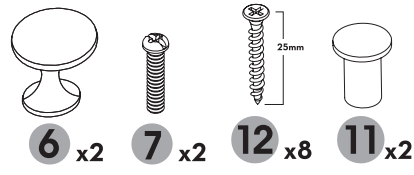


**5** x4

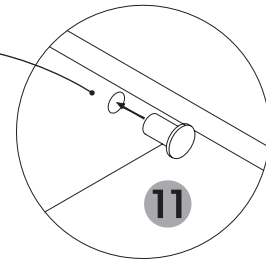
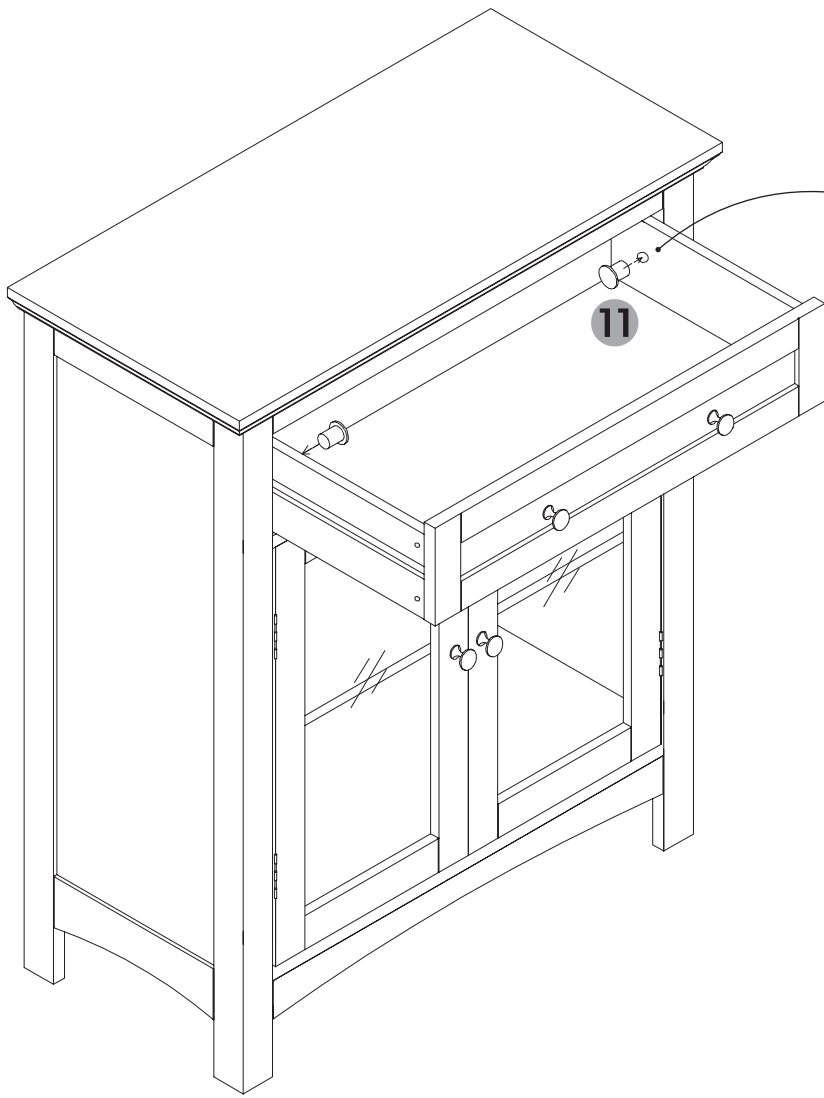
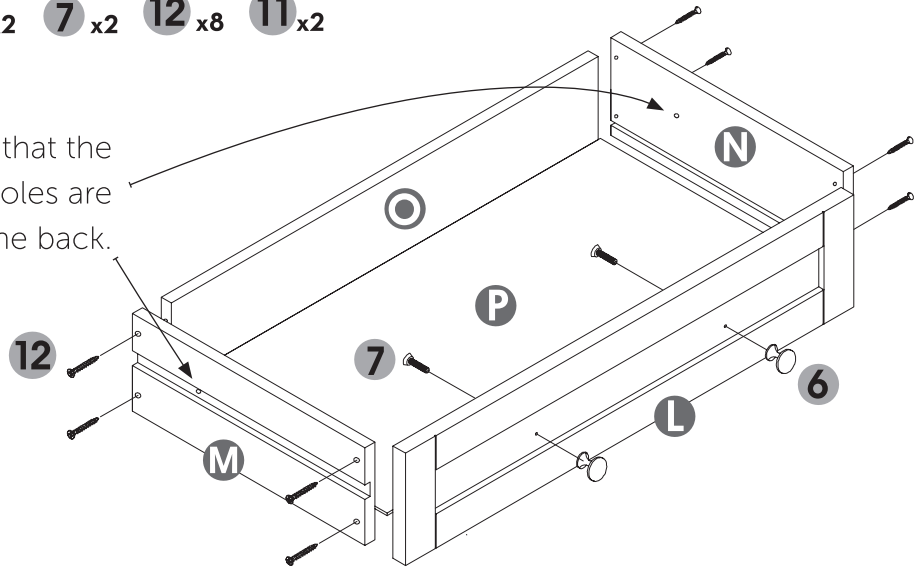




in **Step 6** you need **○ P L M N**



Please make sure that the drawer stopper holes are closest to the back.



Slide the drawer in partially then insert the drawer stoppers **11**.