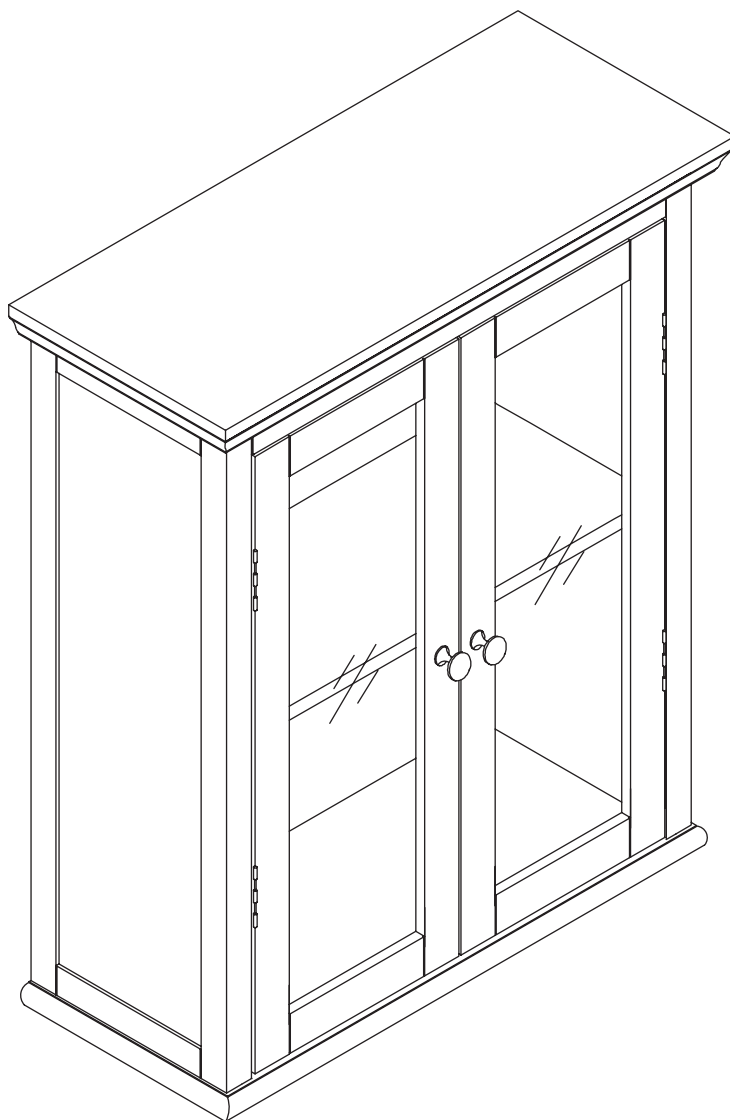


Assembly Instructions

WALL CABINET

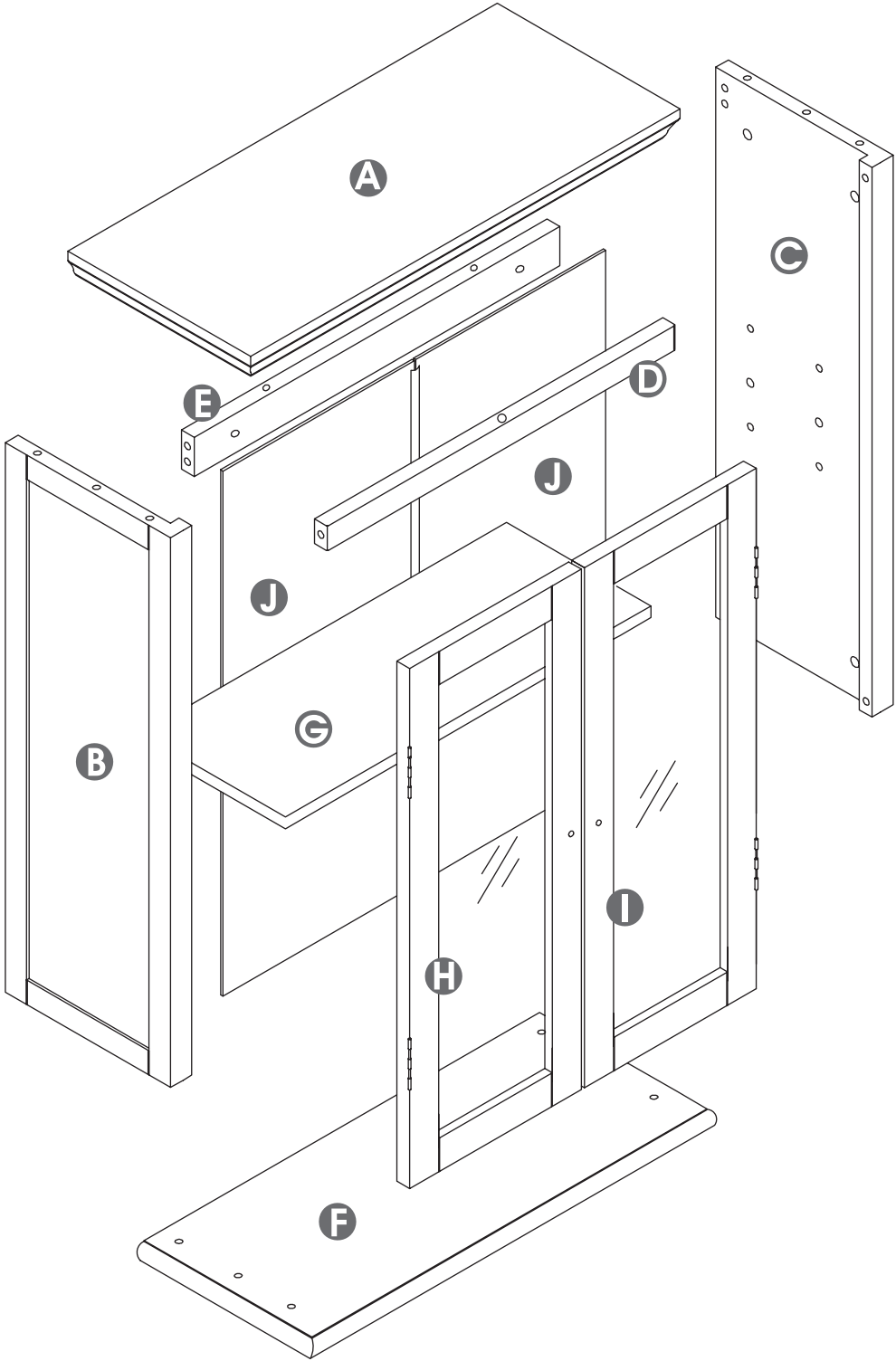


Carefully unpack and identify each component before beginning assembly. Before you begin, please refer to parts list to make sure that you have all parts. Please take care when assembling the unit and always place the parts on a clean, soft surface. If you require assistance with assembly or parts, please call 888-357-7263.

Get social with us and discover more about our products, tips and exclusive discounts!



Visit our YouTube channel for product assembly demonstrations



1



12x

2



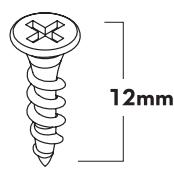
8x

3



8x

4



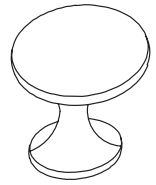
8x

5



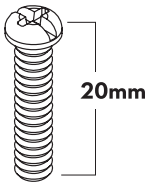
4x

6



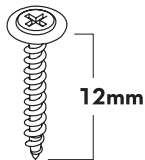
2x

7



2x

8



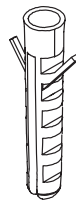
14x

9



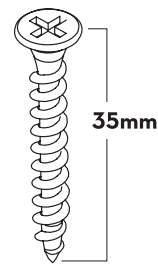
1x

10



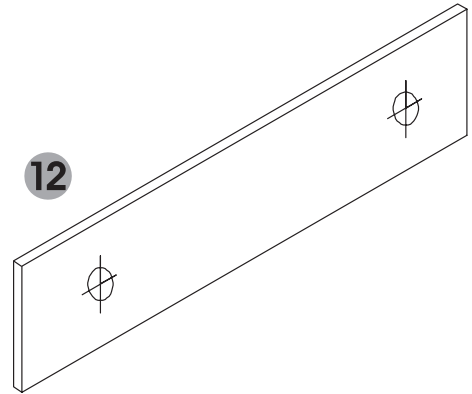
2x

11



3x

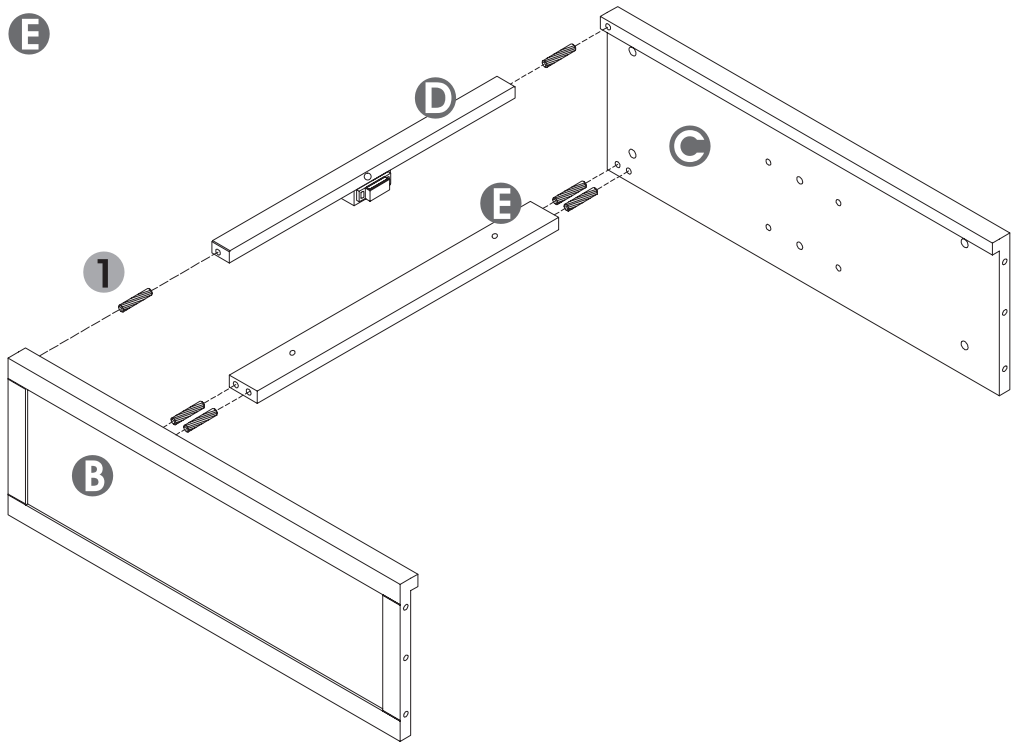
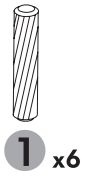
12



1x

in **Step 1** you need

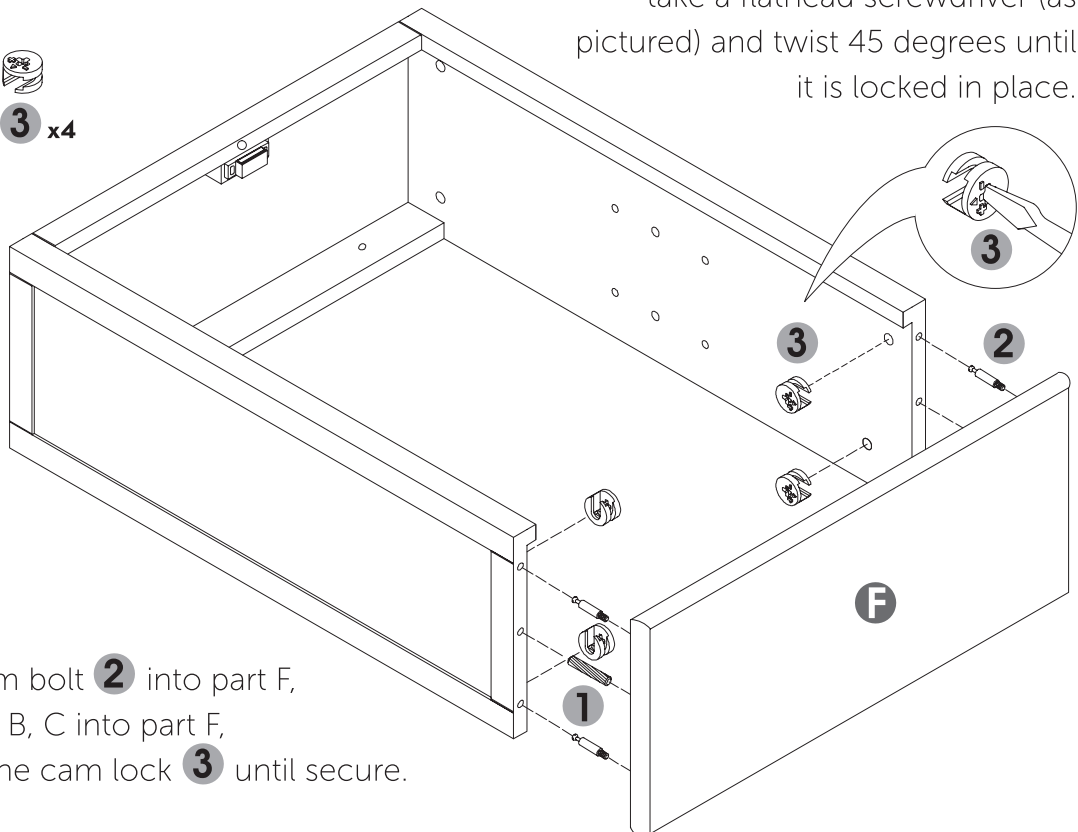
- B**
- C**
- D**
- E**



in **Step 2** you need

- F**
-
- 1** x2
-
- 2** x4
-
- 3** x4

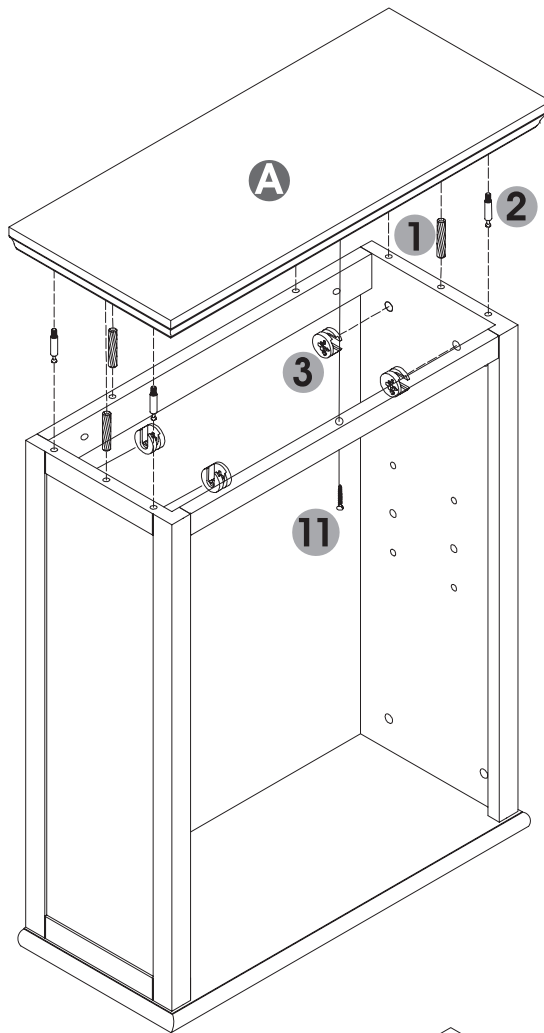
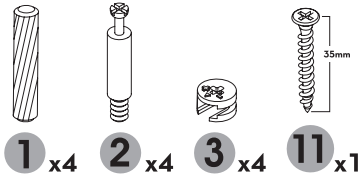
Push cam lock into the hole, then take a flathead screwdriver (as pictured) and twist 45 degrees until it is locked in place.



First screw cam bolt **2** into part F, then slide part B, C into part F, lastly tighten the cam lock **3** until secure.

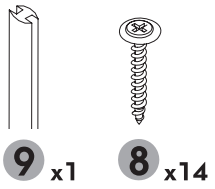
in **Step 3** you need

A

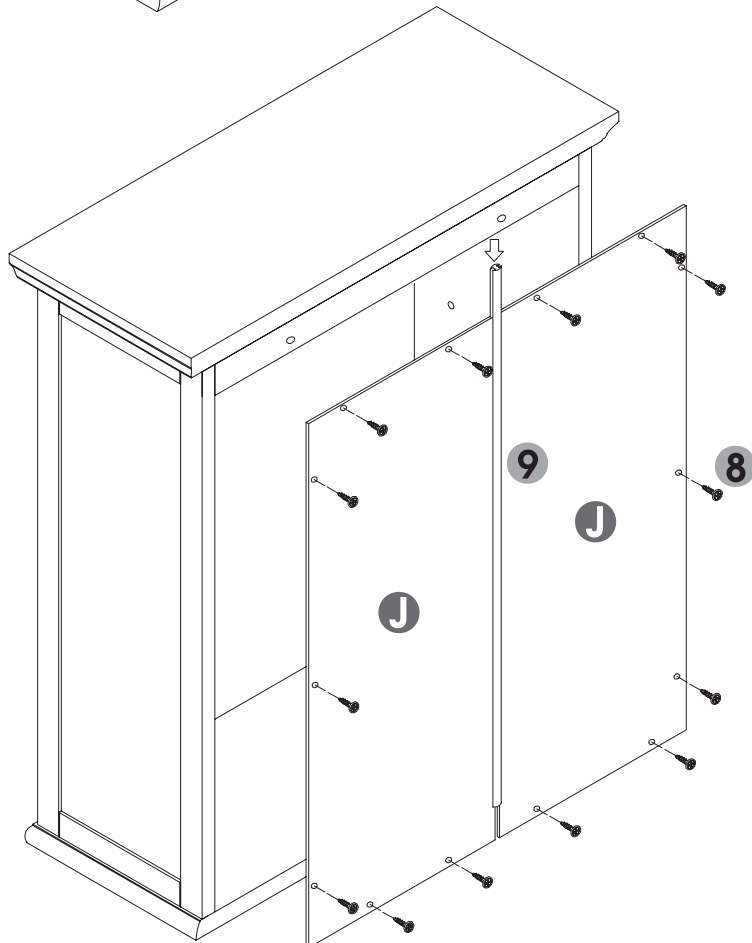


in **Step 4** you need

J



back connector slide



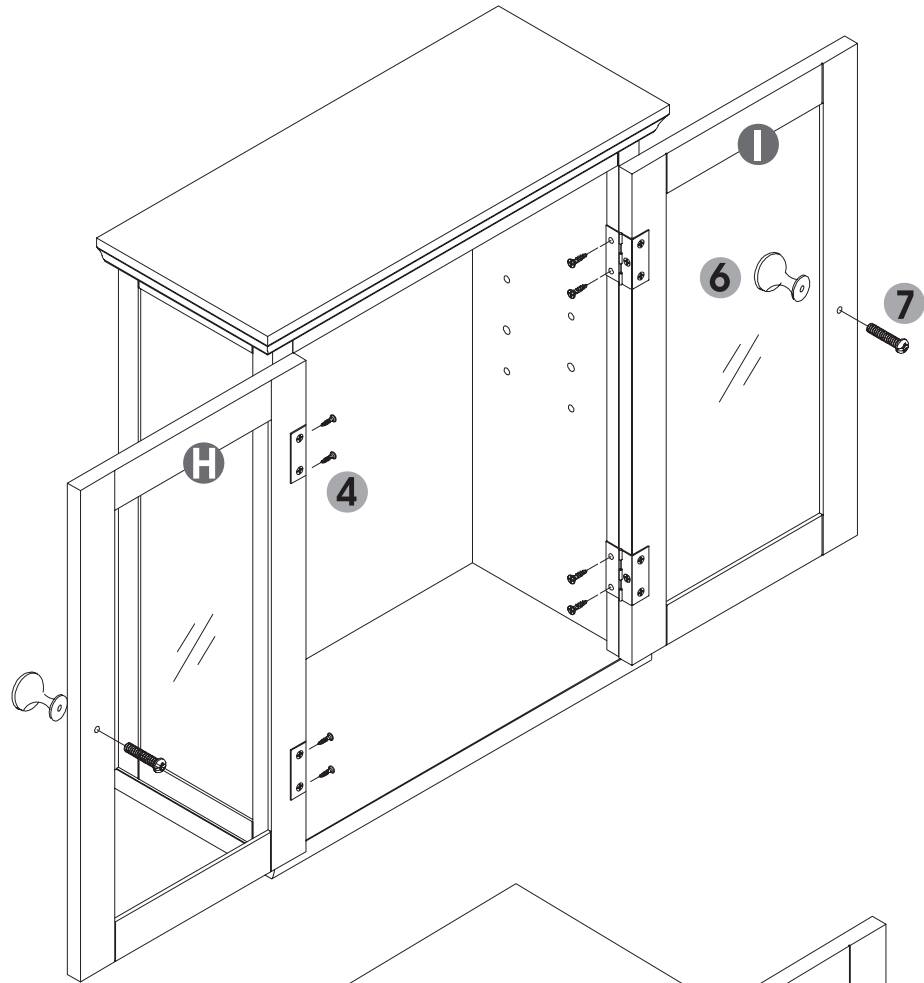
glitzhom[®]

in **Step 5** you need

H **I**



4 x8 **6** x2 **7** x2

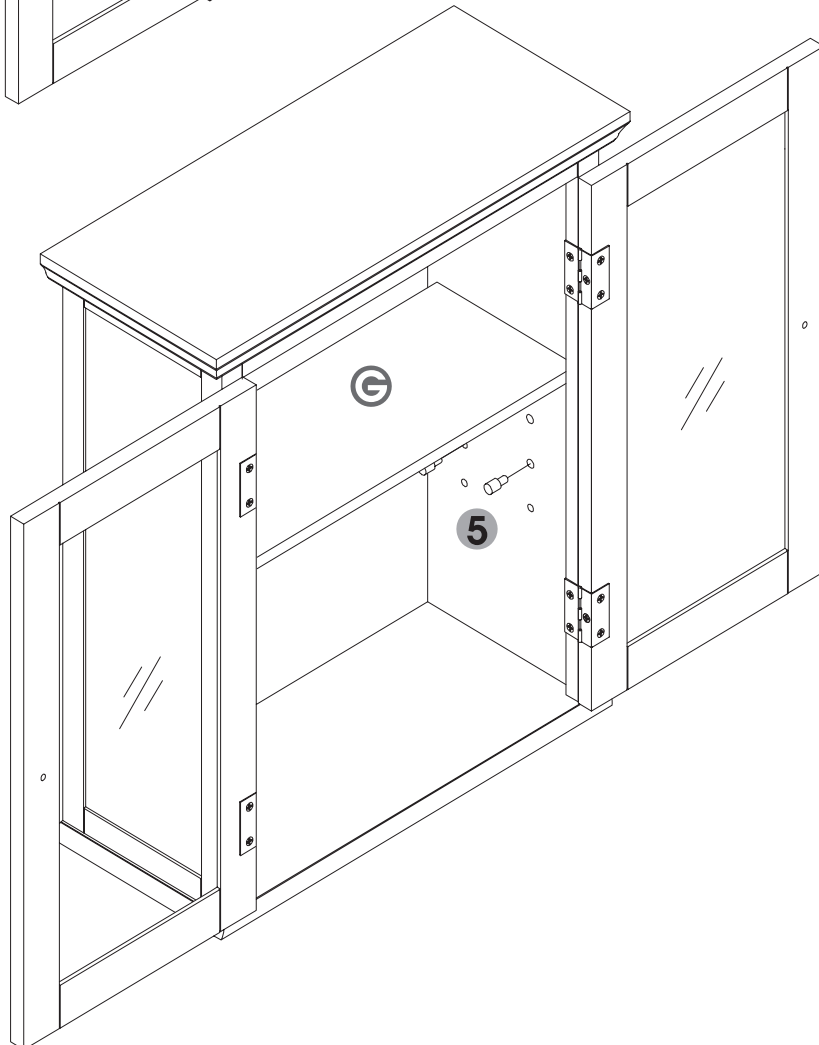


in **Step 6** you need

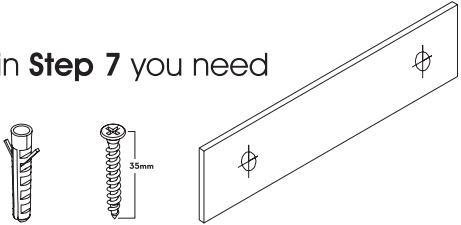
G



5 x4



in **Step 7** you need



10 x2 **11** x2 **12** x1

WALL

